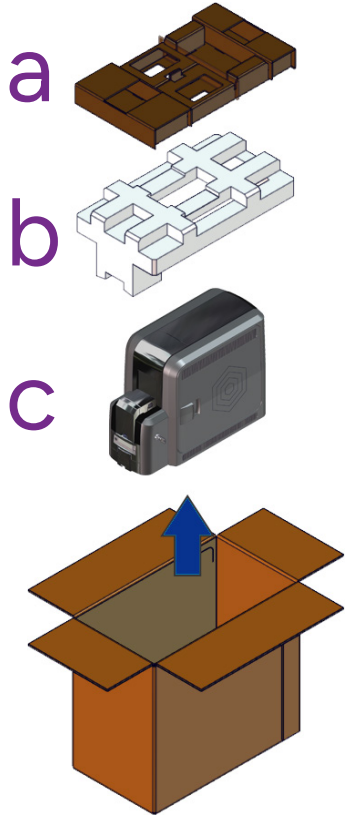




# ENTRUST

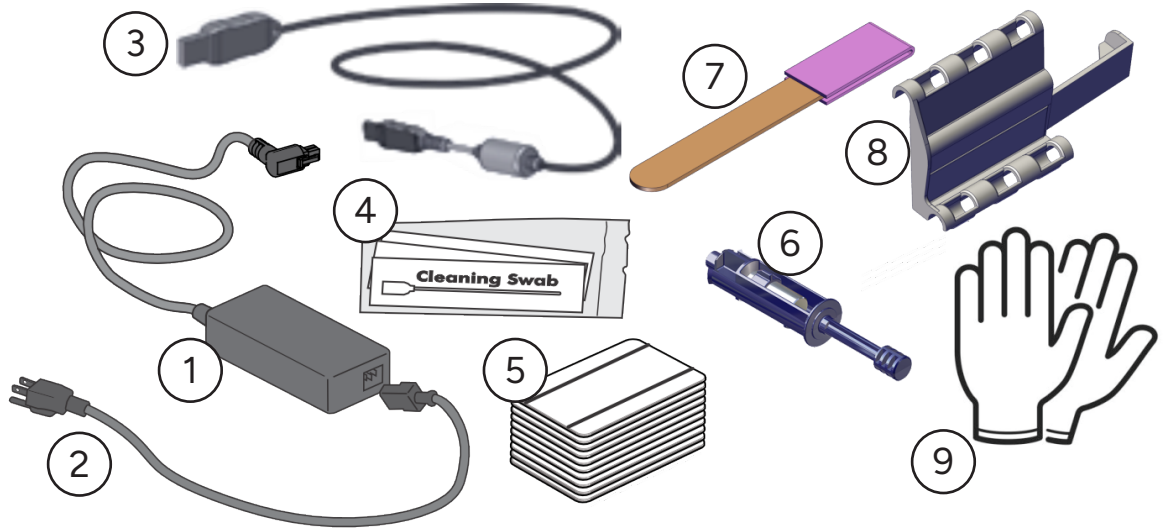
## Artista® CR805 Retransfer Card Printer Quick Install Guide

1



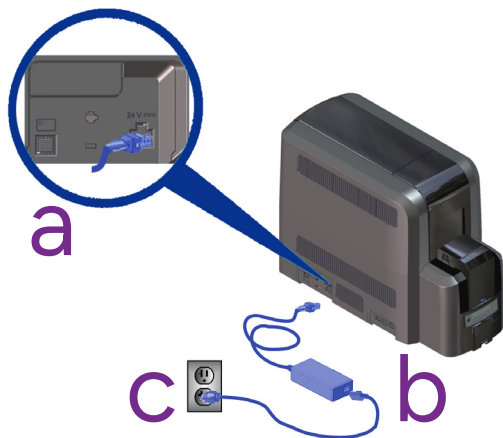
d

- 1 Power supply
- 2 Power cord
- 3 USB cable
- 4 Cleaning swabs
- 5 Adhesive cleaning card, 10 pack
- 6 Cleaning roller
- 7 Lapping Stick
- 8 Lapping Stick Support
- 9 Inspection gloves, nylon



2

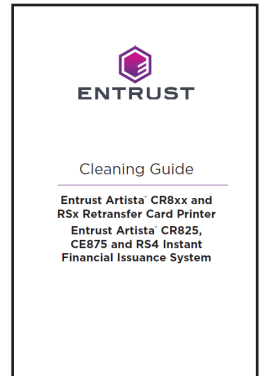
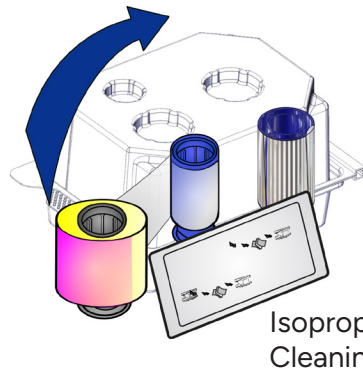
Plug in and power on the printer.



3

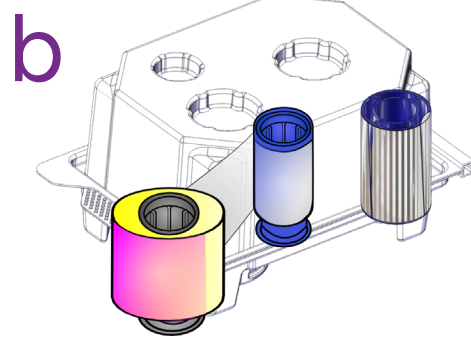
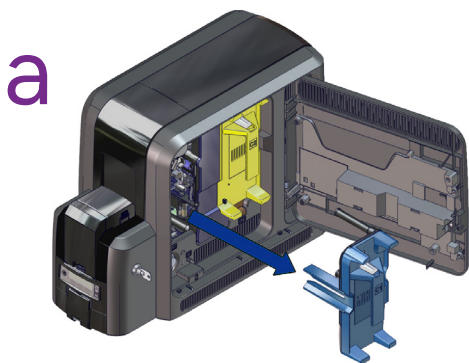
Open the ribbon supply and run the isopropanol cleaning card.\*

\* Refer to the Cleaning Guide included with the printer for details.



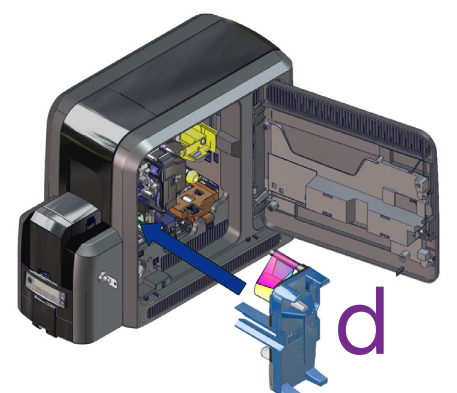
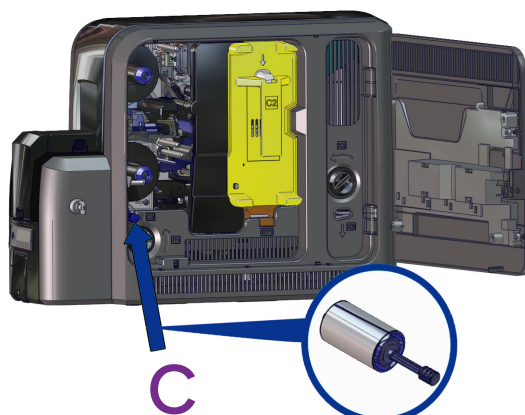
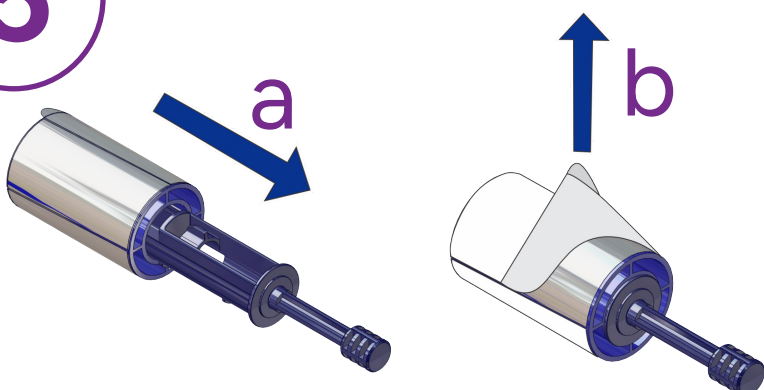
4

Install the ink ribbon onto the blue (C1) cartridge. Loading instructions are provided with the supply.



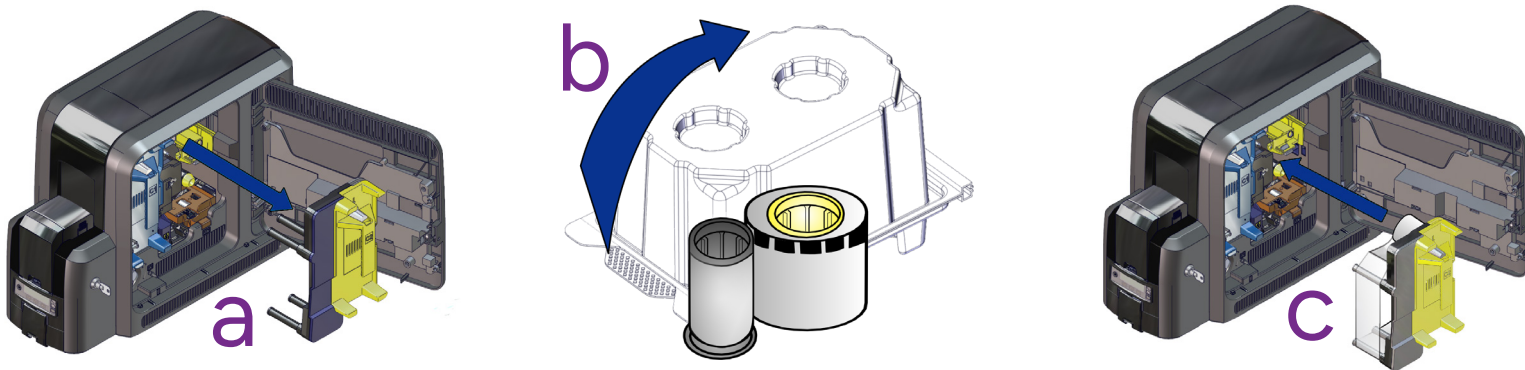
5

Install the cleaning sleeve (C3) and ribbon cartridge.

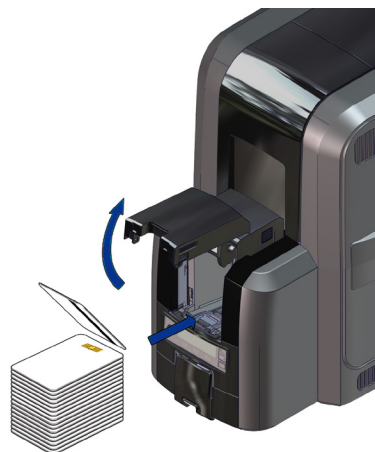


Continued

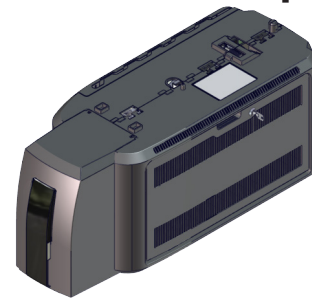
**6** Install the retransfer film onto the yellow (C2) cartridge. Loading instructions are provided with the supply.



**7** Load cards into the input hopper.



**8** Refer to the Upgrade Kit instructions for each additional module you plan to add to the printer.

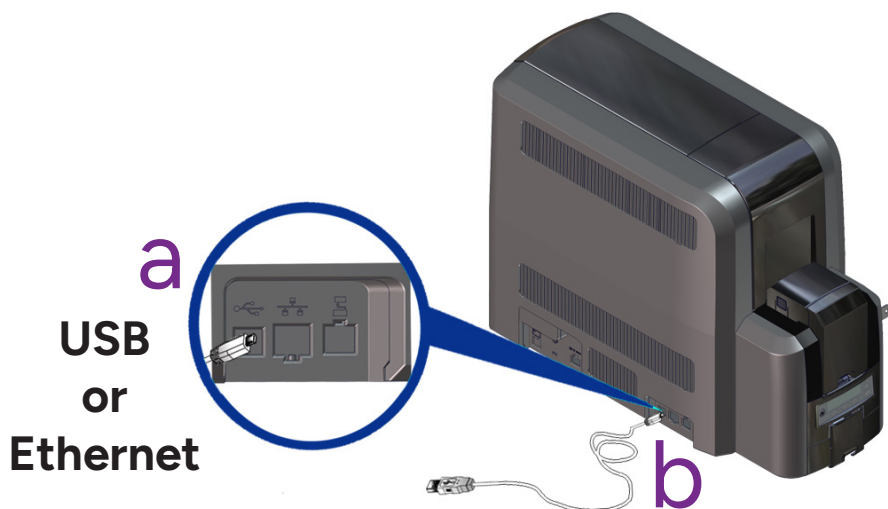


**9** Plug in the USB or Ethernet cable connection to the printer.



If you plan to have a USB connection with the printer, do not plug in the USB cable until directed by the driver.

Download the driver at: [entrust.com/cr805-support](http://entrust.com/cr805-support)



Scan the QR code below for a download trial of Instant ID.



[go.entrust.com/instant-id-evaluation](http://go.entrust.com/instant-id-evaluation)

Want to move to the cloud? Try Instant ID as a Service.\*

\*Ethernet connection is required for cloud connectivity.



[entrust.com/iidaas-trial](http://entrust.com/iidaas-trial)

Scan the QR code below or enter the web address to view the CR805 product support page and access a library of user support documents.

Translated user instructions are available for download using the QR code or URL links.  
 URL طب اور أو (QR) عة يرسل الة باجسرا ل زمر م ادخسرا ل ليزنل لة اءام ةم جرت م ال ادخسرا ل اءام ال عة  
 Die übersetzten Benutzeranweisungen können über den QR-Code oder die URL-Links heruntergeladen werden.  
 Las instrucciones para el usuario traducidas están disponibles para descargar mediante el código QR o los enlaces URL.  
 La traduction des instructions d'utilisation peut être téléchargée à l'aide du code QR ou des liens URL.  
 翻訳された使用説明書は、QRコードまたはURLリンクを使用してダウンロードできます。  
 QR 코드 또는 URL 링크를 통해 번역된 사용자 지침을 다운로드할 수 있습니다.  
 As instruções de usuário traduzidas estão disponíveis para download usando o código QR ou links da URL.  
 可使用二维码或 URL 链接下载翻译后的用户说明。

**CR805**



[entrust.com/cr805-support](http://entrust.com/cr805-support)

- User's Guide
- Installation and Administrator's Guide
- User's Reference Guide
- Warranty
- Driver
- Translated Documents
- How-to Videos

**Safety and Compliance**



Scan the QR code or access <https://www.entrust.com/legal-compliance/environmental-product-certifications> for:

- Declaration of Conformity
- Restriction of Hazardous Substances (RoHS)
- REACH Compliance
- Waste Electrical Electronic Equipment Directive (WEEE)
- Proposition 65 Compliance

**WARNING:** This product contains chemicals, including lead, known to the State of California to cause cancer, and birth defects or other reproductive harm. Wash hands after handling.

**WARNING:** This product can expose you to chemicals including Di(2-ethylhexyl)phthalate (DEHP), which is known to the State of California to cause cancer, and Di(2-ethylhexyl)phthalate (DEHP) and Butyl benzyl phthalate (BBP), which are known to the State of California to cause birth defects or other reproductive harm. For more information, go to [www.P65Warnings.ca.gov](http://www.P65Warnings.ca.gov).

**RoHS Table**

Model: RX10  
 型号: RX10

Marketing names/销售名称

CR805, CR825, CR875, CR8XX: where XX is a number from 00 to 39, excluding 05&25 representing different Entrust Datacard partner codes.

有毒有害物质名称及含量的标识格式

零件名称 Part names	有毒有害物质或元素					
	铅 (Pb)	汞 (Hg)	镉 (Cd)	六价铬 (Cr6+)	多溴联苯 (PBB)	多溴二苯醚 (PBDE)
Power cord 电源线	o	o	o	o	o	o
Enclosure 机箱	x	o	o	o	o	o
Power Supplies 电源	x	o	o	o	o	o
Motors 电动机	x	o	o	o	o	o
Print Head 打印头	x	o	o	o	o	o
Circuit Boards 线路板组件	x	o	o	o	o	o
Chassis 机架	x	o	o	o	o	o
Batteries 电池	o	o	o	o	o	o

本表格依据 SJ/T 11364 的规定编制

O = 表示该有害物质在该部件所有均质材料中的含量均在 GB/T 26572 规定的限量要求以下 (indicates that the content of the toxic and hazardous substance in all the Homogeneous Materials of the part is below the concentration limit requirement as described in GB/T 26572).

X = 表示该有害物质至少在该部件的某一均质材料中的含量超出 GB/T 26572 规定的限量要求 (indicates that the content of the toxic and hazardous substance in at least one Homogeneous Material of the part exceeds the concentration limit requirement as described in GB/T 26572).