



User Reference Guide



ENTRUST

User Reference Guide

Entrust Artista® RS4 Instant Financial Issuance System

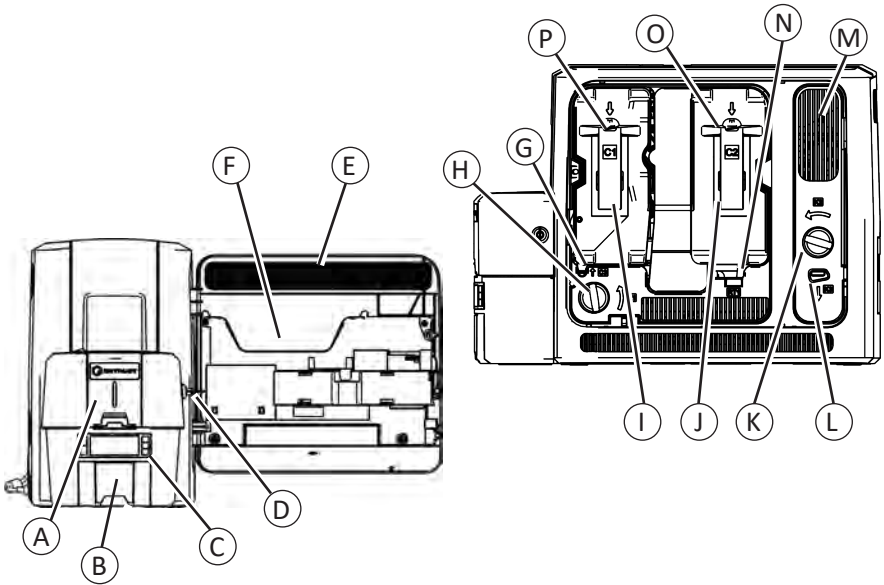
October 2024
528505-001EN, Rev A

Artista RS4 Instant Financial Issuance System

Contents

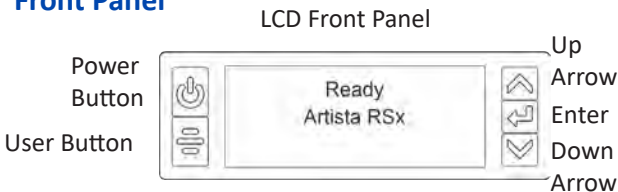
The RS4 Instant Financial Issuance System	3
The RS4 Printer with Optional Multi-Hopper	4
Load Cards in a Single-Hopper Printer	5
Use the Exception Slot	6
Load Cards in a Multi-Hopper Printer	7
Use the Multi-Hopper Exception Slide	9
Replace the Color Ink Ribbon	10
Replace the Cleaning Sleeve	12
Replace the Retransfer Film	14
Empty the Reject Tray	16
Clear a K1 Horizontal Transport Card Jam	17
Clear a K2 Vertical Transport Card Jam	19
Clear a Flipper Card Jam	20
Repair a Broken Ink Ribbon	21
Repair Broken Retransfer Film	22
Check the Power Connection	23
Check the Data Connection	24
Common LCD Messages	25
Common Print Quality Concerns	26
Cleaning Schedule	27
Use the Isopropanol Cleaning Card	28
Use the Adhesive Cleaning Card	32
Clean the Printhead	36
Clean the Printhead Cam Rollers	40

The RS4 Instant Financial Issuance System



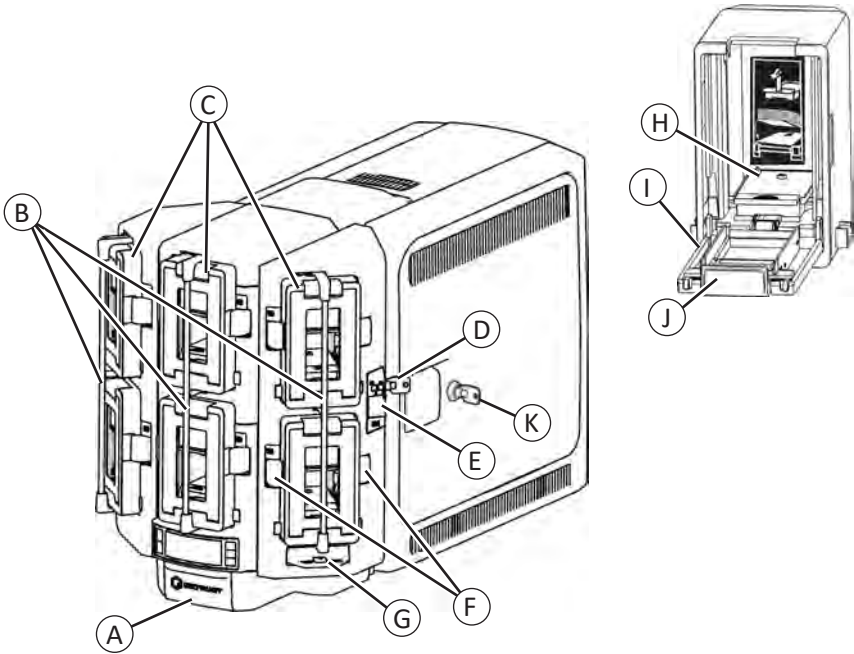
- | | | | |
|---|----------------------------------|---|--|
| A | Input Hopper | J | Retransfer Cartridge (C2) |
| B | Output Hopper | K | Manual Advance Knob (K2) |
| C | Front Panel | L | Rear Access Door Release (K3) |
| D | Printer Lock | M | Vertical Transport Area |
| E | Printer Access Door | N | Reject Tray (RT1) |
| F | <i>User Reference Guide Slot</i> | O | Retransfer Film Cartridge Release Button |
| G | Cleaning Spindle Handle (C3) | P | Ink Ribbon Cartridge Release Button |
| H | Manual Advance Knob (K1) | | |
| I | Ink Ribbon Cartridge (C1) | | |

Front Panel



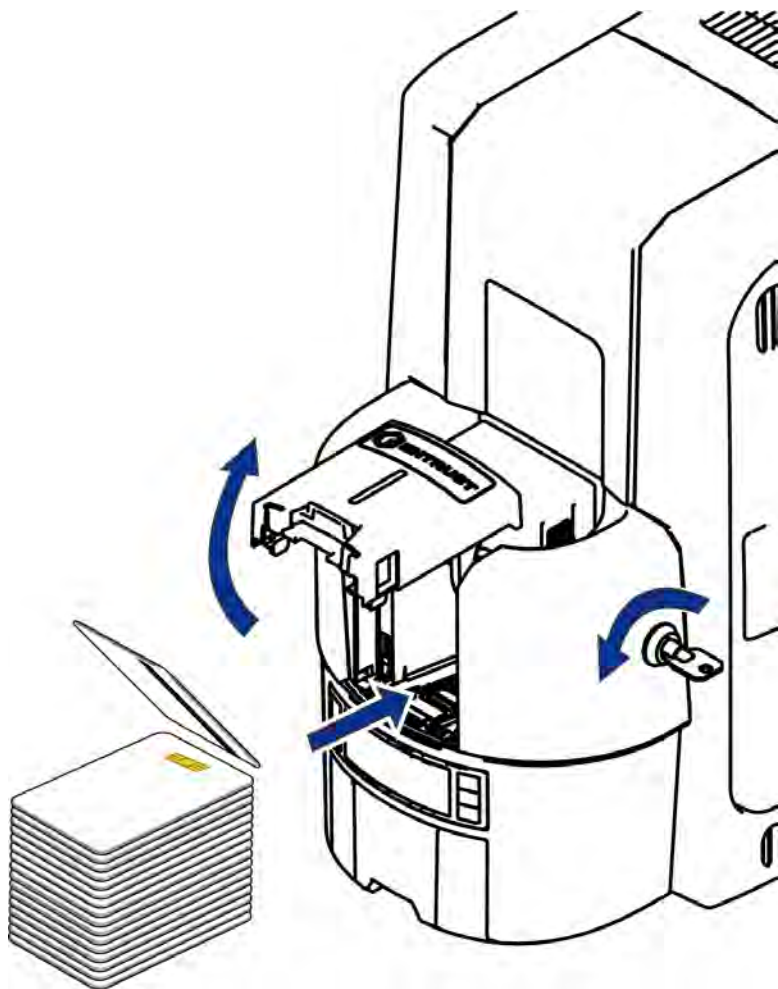
Artista RS4 Instant Financial Issuance System

The RS4 Printer with Optional Multi-Hopper



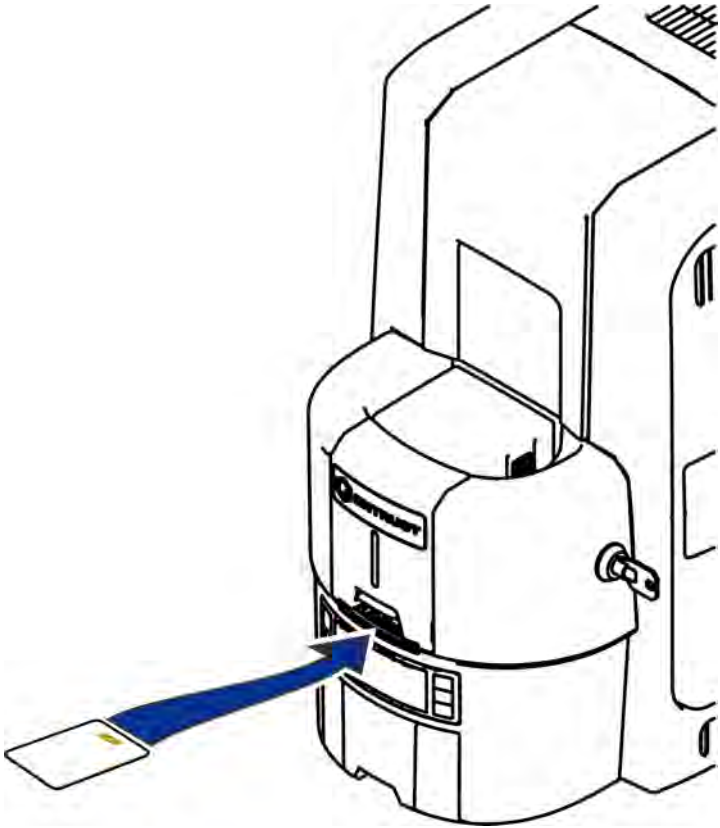
- A = Output Hopper
- B = Hopper Lock Bars
- C = Input Hoppers 1–6
- D = Multi-Hopper Lock
- E = Lock Bar Release Button (B1)
- F = Hopper Cartridge Release Buttons
- G = Exception Slide
- H = Card Weight
- I = Cartridge Door
- J = Cartridge Door Release Button
- K = Printer Lock

Load Cards in a Single-Hopper Printer



Artista RS4 Instant Financial Issuance System

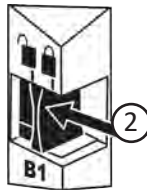
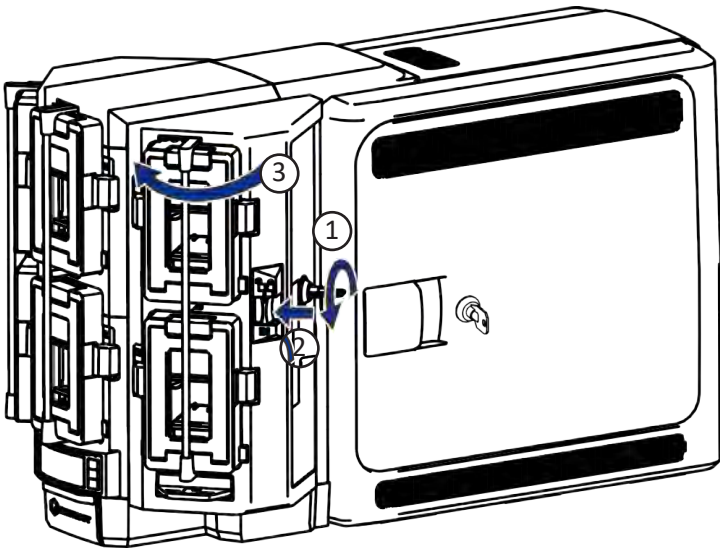
Use the Exception Slot



Load Cards in a Multi-Hopper Printer

a

1. Unlock the multi-hopper lock.
2. Slide the lock bar release button (B1) to the left.
3. Rotate a lock bar to the left.

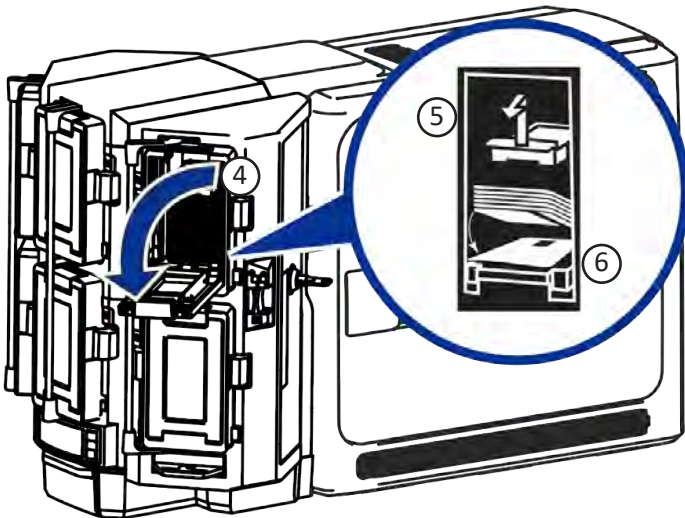


Artista RS4 Instant Financial Issuance System

Load Cards in a Multi-Hopper Printer (cont.)

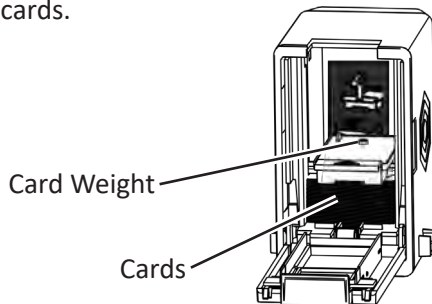
b

4. Press the cartridge release button at the top of the cartridge and open the cartridge door.
5. Lift the card weight to the top of the cartridge and pull it forward until it locks in position.
6. Load the cards into the hopper cartridge.



c

Close the cartridge door to release the card weight so that it rests on top of the cards.



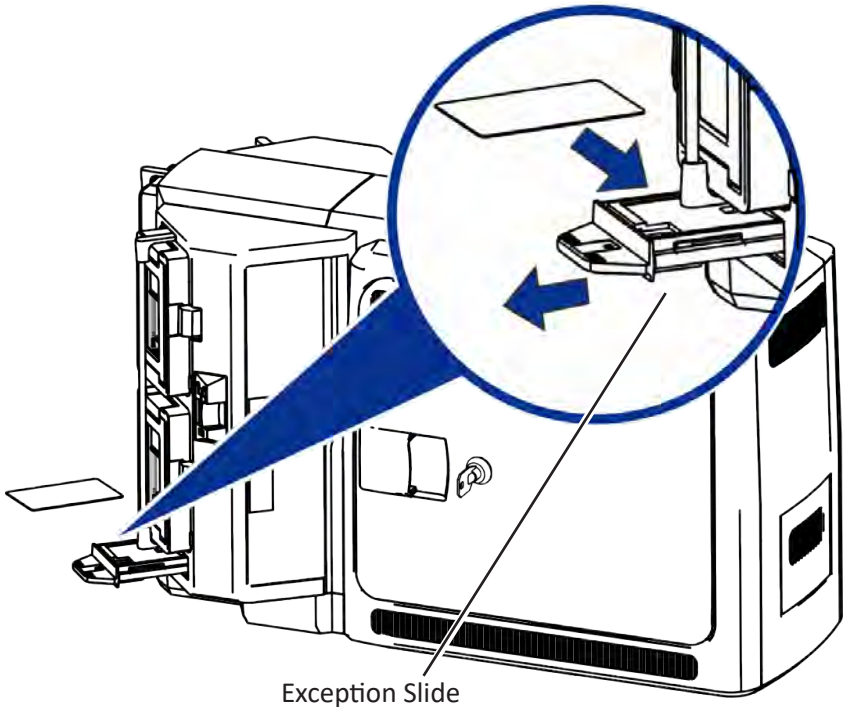
d

Repeat for each input hopper cartridge.

Return all locks to the locked position when finished.

Use the Multi-Hopper Exception Slide

- a** Pull out the multi-hopper exception slide and insert the card.

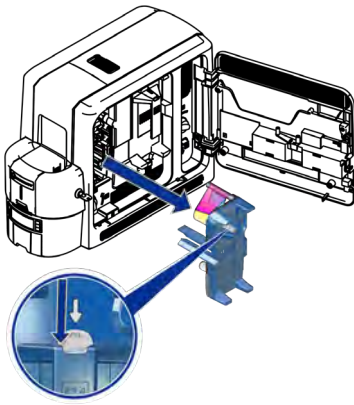


- b** Push in the exception slide.

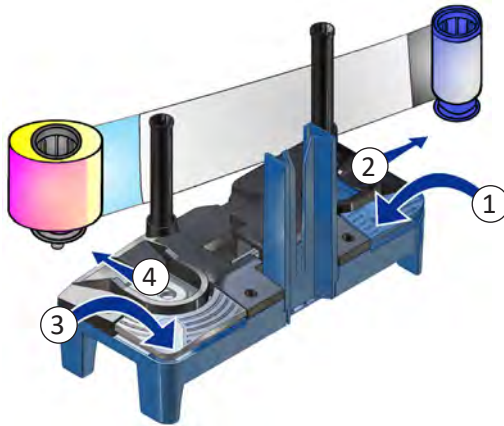
Artista RS4 Instant Financial Issuance System

Replace the Color Ink Ribbon

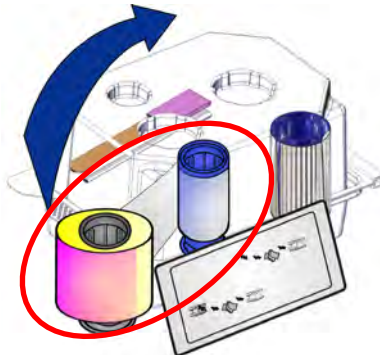
a



b

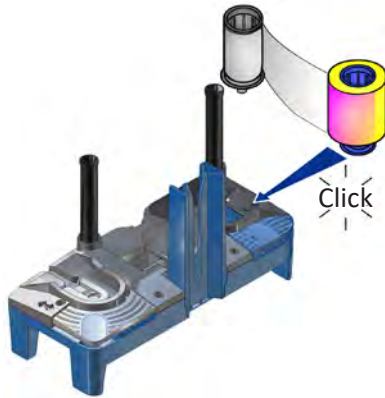


c

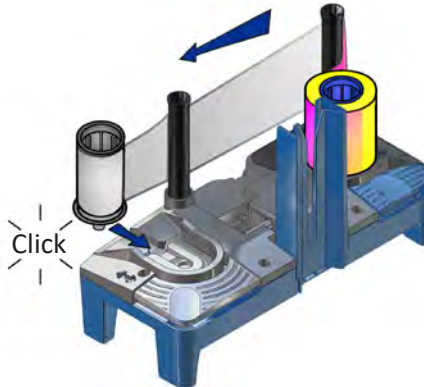


Replace the Color Ink Ribbon (cont.)

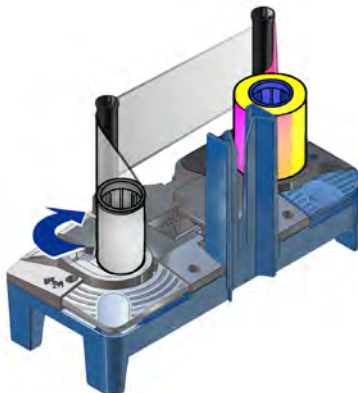
d



e



f



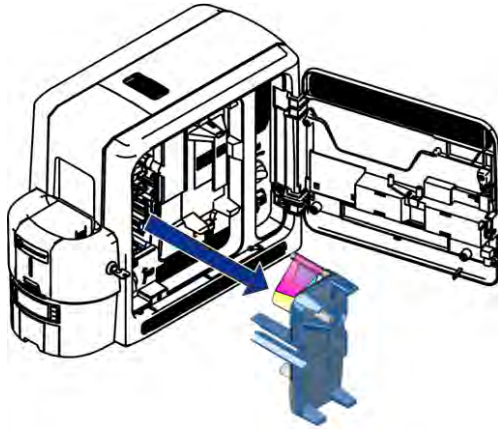
g

Replace the ink ribbon cartridge in the printer.

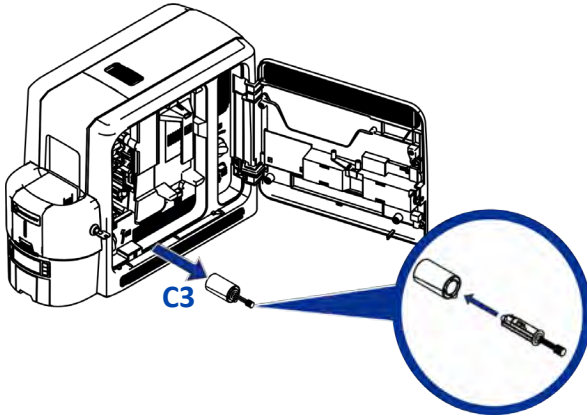
Artista RS4 Instant Financial Issuance System

Replace the Cleaning Sleeve

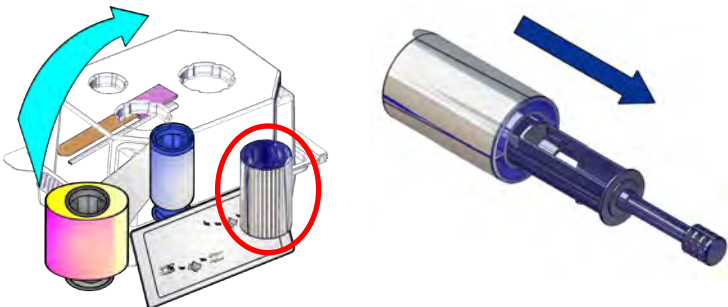
a



b



c

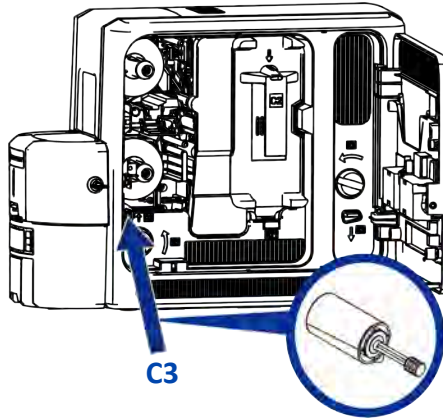


Replace the Cleaning Sleeve (cont.)

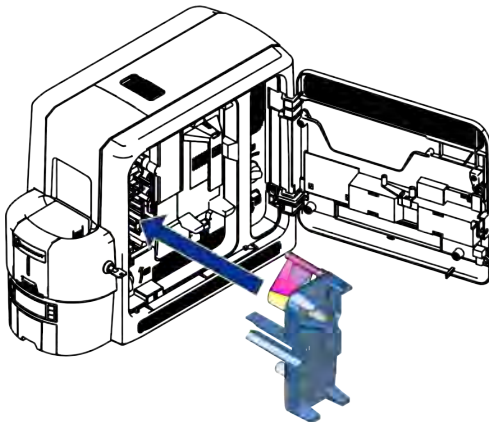
d



e



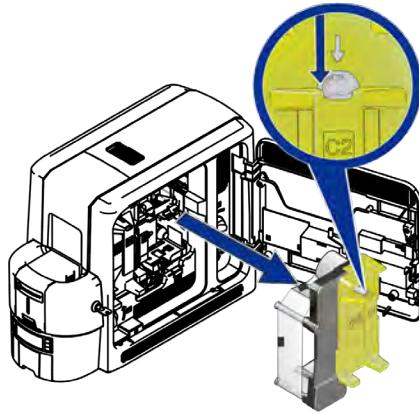
f



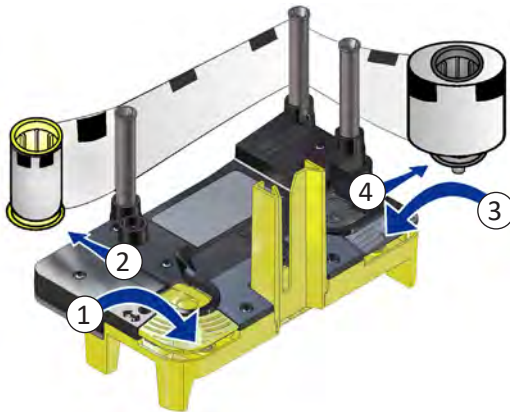
Artista RS4 Instant Financial Issuance System

Replace the Retransfer Film

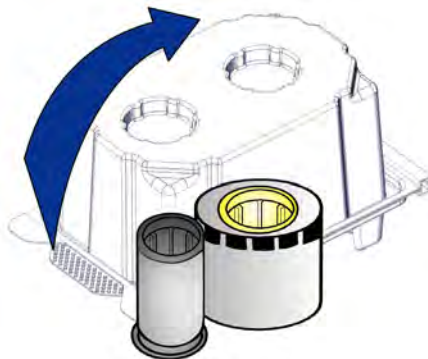
a



b



c

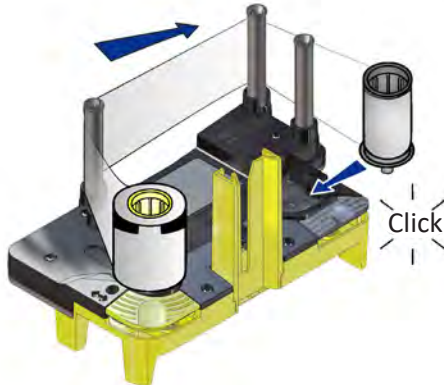


Replace the Retransfer Film (cont.)

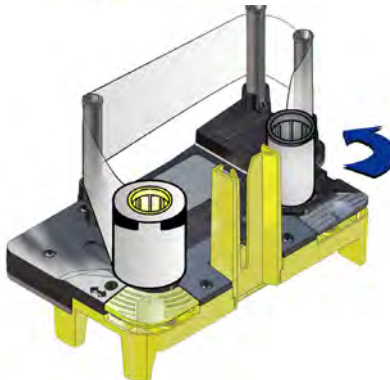
d



e



f



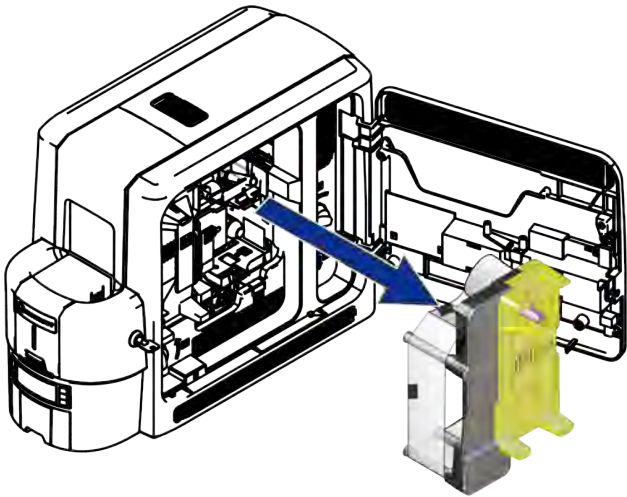
g

Replace the retransfer film cartridge in the printer.

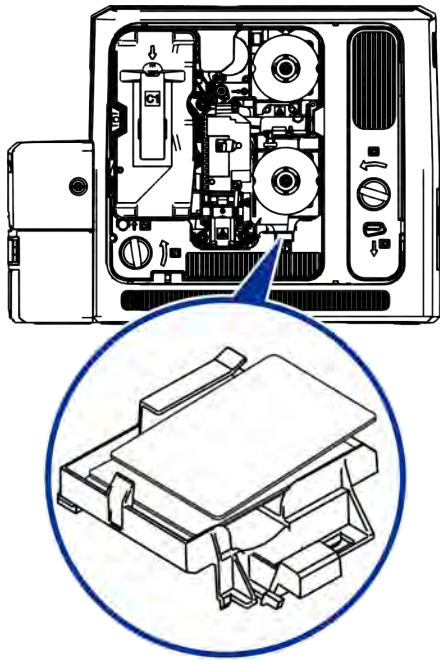
Artista RS4 Instant Financial Issuance System

Empty the Reject Tray

a



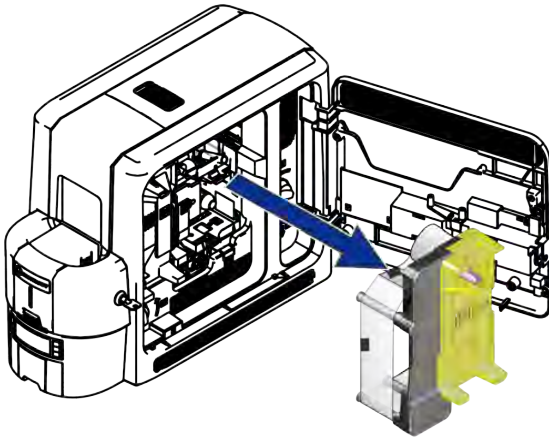
b



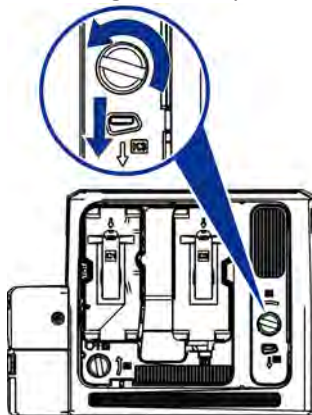
Clear a K1 Horizontal Transport Card Jam

Single-Hopper Printer

- a** Unlock the printer and open the printer access door.
Remove the retransfer film cartridge.



- b** Turn the K1 manual advance knob counterclockwise to move the jammed card into the output hopper.
Remove the card through the output hopper.



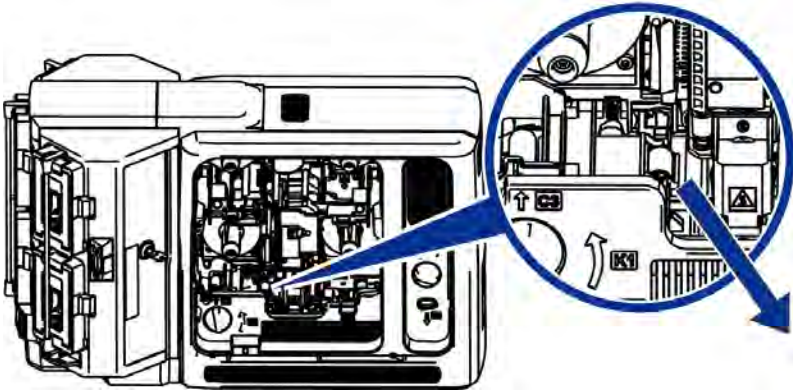
- c** Replace the retransfer film cartridge and close and lock the printer.

Artista RS4 Instant Financial Issuance System

Clear a K1 Horizontal Transport Card Jam (cont.)

Multi-Hopper Printer

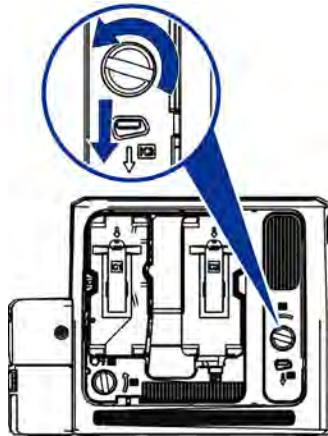
- a**
1. Unlock the printer and open the printer access door.
 2. Remove the ink ribbon and retransfer film cartridges.
 3. Locate the card in the printer. Turn the K1 manual advance knob if necessary to access the card.
 4. Remove the card from the printer.



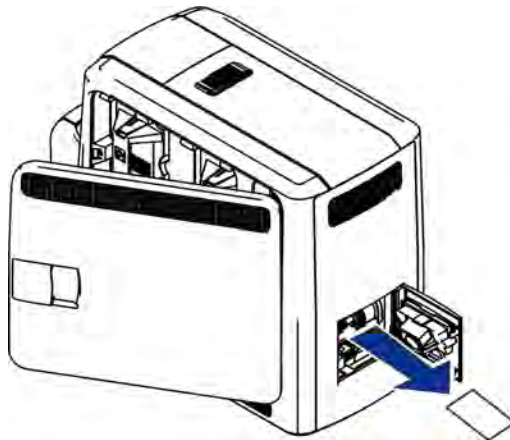
- b**
1. Replace the cartridges and close and lock the printer.

Clear a K2 Vertical Transport Card Jam

- a**
1. Unlock the printer and open the printer access door.
 2. Press the K3 rear access door release to open the rear access door.
 3. Turn the K2 manual advance knob counterclockwise to move the jammed card inside the vertical transport until it is accessible through the rear access door.



- b** Remove the card through the rear access door.

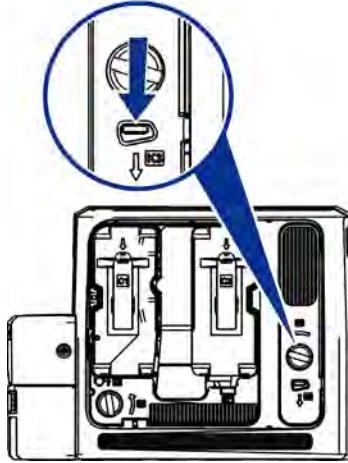


- c** Close the printer doors and lock the printer.

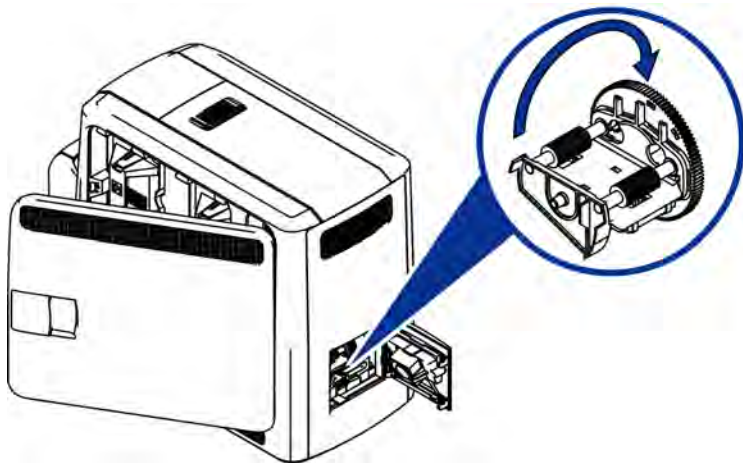
Artista RS4 Instant Financial Issuance System

Clear a Flipper Card Jam

- a** Unlock the printer and open the printer access door.
Press the K3 rear access door release to open the rear access door.



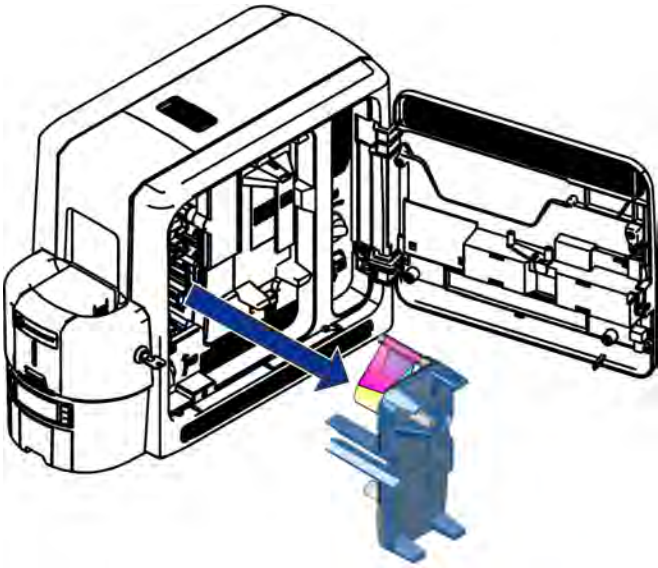
- b** Rotate the flipper module to access the card.
Remove the card through the rear access door.



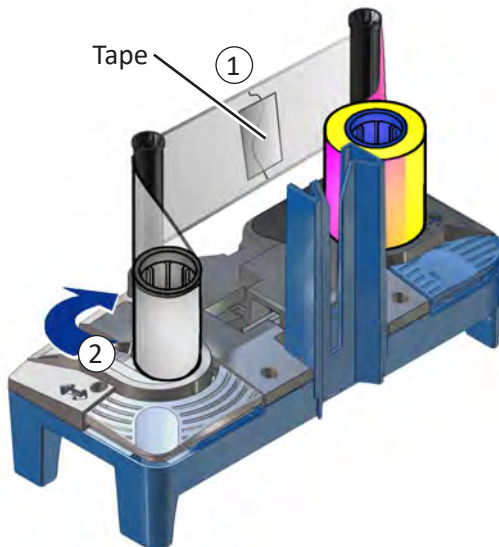
- c** Close the printer doors and lock the printer.

Repair a Broken Ink Ribbon

a



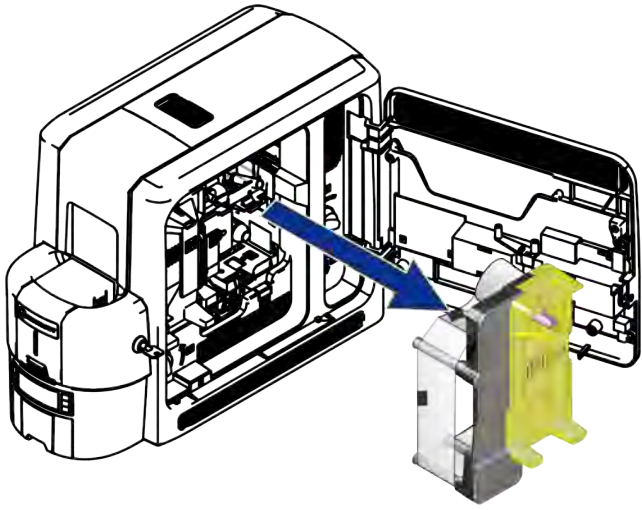
b



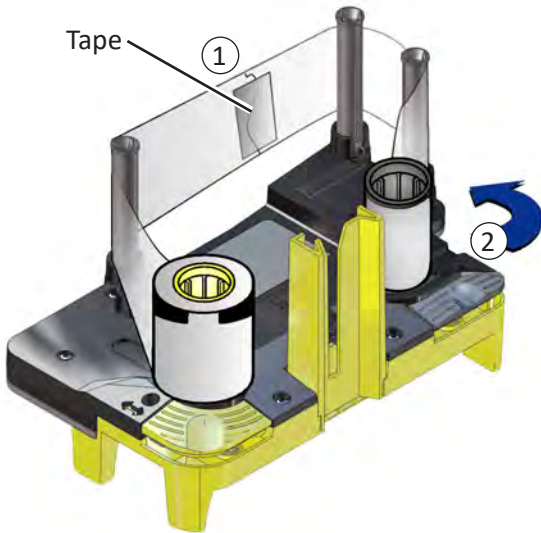
Artista RS4 Instant Financial Issuance System

Repair Broken Retransfer Film

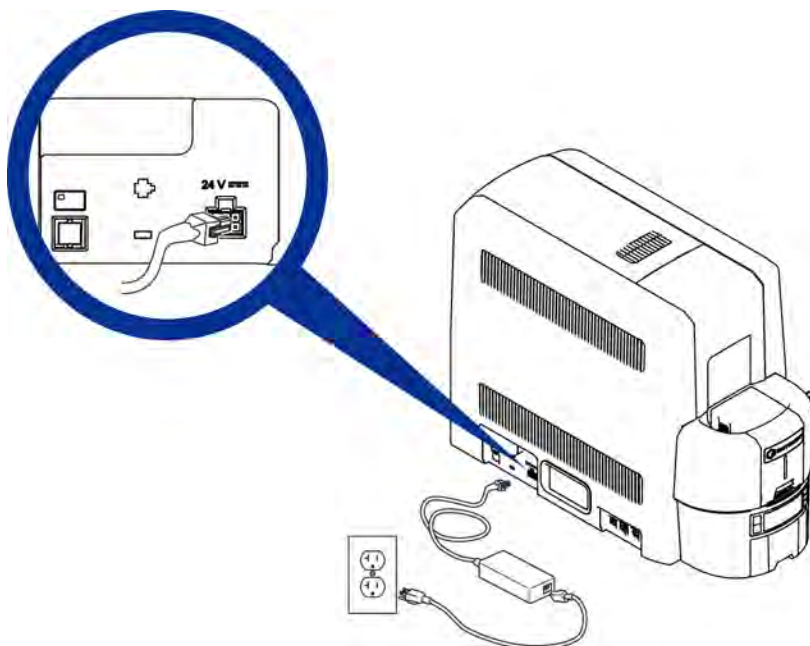
a



b

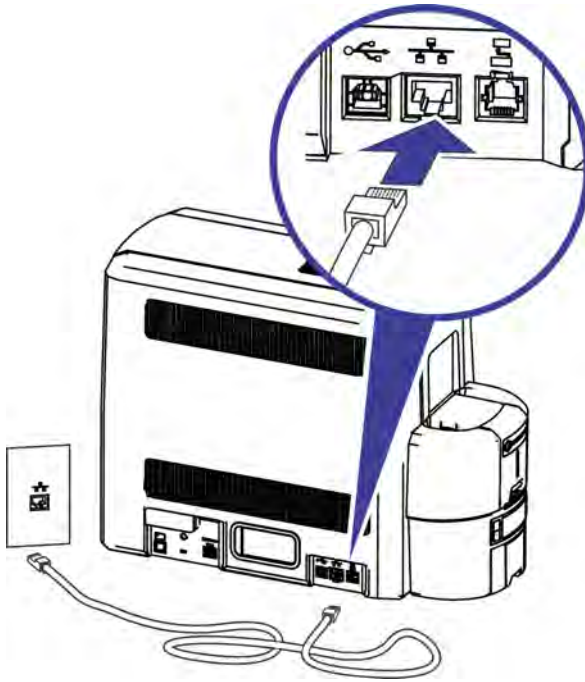


Check the Power Connection



Artista RS4 Instant Financial Issuance System

Check the Data Connection



Common LCD Messages

Error Message	Refer to:
112: Card hopper empty	"Load Cards in a Single-Hopper Printer" on page 5 "Use the Exception Slot" on page 6 "Load Cards in a Multi-Hopper Printer" on page 7 "Use the Multi-Hopper Exception Slide" on page 9
166: C2 supply out or missing 167: C2 supply not identified 168: C2 supply not supported	"Replace the Retransfer Film" on page 14
172: Improper shutdown	"Check the Power Connection" on page 23 "Check the Data Connection" on page 24
175: C2 supply error	"Repair Broken Retransfer Film" on page 22
234: K1 transport card jam	"Clear a K1 Horizontal Transport Card Jam" on page 17
235: K2 transport card jam	"Clear a K2 Vertical Transport Card Jam" on page 19
236: Flipper module rotate error	"Clear a Flipper Card Jam" on page 20
237: C1 supply out or missing 238: C1 supply not identified 239: C1 supply not supported	"Replace the Color Ink Ribbon" on page 10 "Replace the Cleaning Sleeve" on page 12
240: C1 supply error	"Repair a Broken Ink Ribbon" on page 21
242: RT1 reject tray full	"Empty the Reject Tray" on page 16
277: Multi-hopper pick error	"Load Cards in a Multi-Hopper Printer" on page 7

Artista RS4 Instant Financial Issuance System

Common Print Quality Concerns

Problem	Cause	Solution
Non-repeating color dots on cards	Dust on the ink ribbon or retransfer film	<ul style="list-style-type: none">• Advance the supply, or• "Replace the Color Ink Ribbon" on page 10• "Replace the Retransfer Film" on page 14
Wrinkles appear on cards	Supplies are wrinkled	<ul style="list-style-type: none">• Advance the supply, or• "Replace the Color Ink Ribbon" on page 10• "Replace the Retransfer Film" on page 14
Blurred or discolored images Small unprinted areas on cards	<ul style="list-style-type: none">• Fingerprints, debris, or scratches on cards• Debris inside the printer• The printhead is dirty	<ul style="list-style-type: none">• Make sure cards are clean• Clean the printer. Refer to the "Cleaning Schedule" on page 27• "Replace the Cleaning Sleeve" on page 12• "Clean the Printhead" on page 36
Repeating color dots on multiple cards	Dust or debris on the cam rollers	"Clean the Printhead Cam Rollers" on page 40
Color or white streaks appear on cards	Dust or debris on the printhead	<ul style="list-style-type: none">• Print another card to see if the problem continues• "Clean the Printhead" on page 36

- Refer to the *CR825 and CE875 Instant Issuance System User's Guide* for additional troubleshooting information.
 - Also refer to the ["Cleaning Schedule" on page 27](#) for best-practices recommendations for maintaining the printer.
-

Cleaning Schedule

Follow the recommended cleaning schedule to maintain the printer and obtain the best print quality.

Schedule	Action	Procedure
When you change the ink ribbon	Clean the printer with the isopropanol cleaning card.	<ul style="list-style-type: none">• "Single-Hopper Printer" on page 28• "Multi-Hopper Printer" on page 29
	Replace the cleaning sleeve (C3).	"Replace the Cleaning Sleeve" on page 12
	Clean the printhead.	"Clean the Printhead" on page 36
If you see particles on completed cards	Replace the cleaning sleeve (C3).	"Replace the Cleaning Sleeve" on page 12
	Clean the printer with the adhesive cleaning card.	<ul style="list-style-type: none">• "Single-Hopper Printer" on page 32• "Multi-Hopper Printer" on page 33
If you see color or white lines on completed cards	Clean the printhead.	"Clean the Printhead" on page 36
If you see repeating color dots on completed cards	Clean the printhead cam rollers.	"Clean the Printhead Cam Rollers" on page 40



When you clean the printer using either the isopropanol or adhesive cleaning card, remove the ink ribbon (C1) and retransfer film (C2) cartridges, and the cleaning sleeve.

Artista RS4 Instant Financial Issuance System

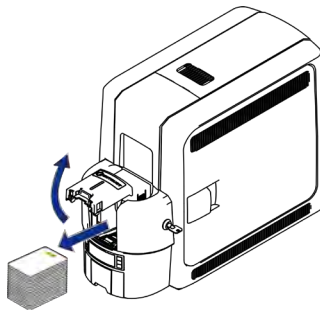
Use the Isopropanol Cleaning Card

Use the isopropanol cleaning card regularly to clean the printer. Refer to the "[Cleaning Schedule](#)" on page 27.

Single-Hopper Printer

a Unlock the printer and remove the supply cartridges and cleaning sleeve.

Open the input hopper and remove the unprinted cards. Handle the cards by the edges, or wear card inspection gloves.



b Open the cleaning card package and remove the isopropanol cleaning card.

Isopropanol
Cleaning Card

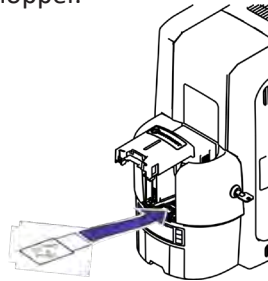


c Load the cleaning card in the input hopper.

If the cleaning card appears bowed, insert it as shown.

Card Without Bow

Card With Bow



d Close the input hopper and lock the printer.

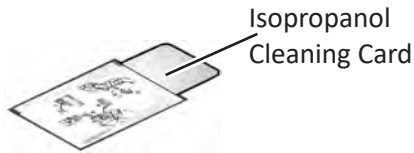
Continue with "[Run the Isopropanol Cleaning Card](#)" on page 30.

Use the Isopropanol Cleaning Card (cont.)

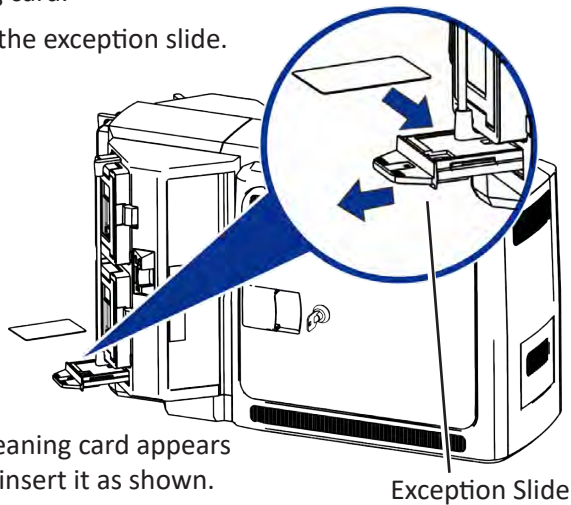
Multi-Hopper Printer

a Unlock the printer and remove the supply cartridges and cleaning sleeve.

b Remove the cleaning card from its package.



- c**
1. Pull out the multi-hopper exception slide and insert the cleaning card.
 2. Push in the exception slide.



If the cleaning card appears bowed, insert it as shown.

Card Without Bow



Card With Bow



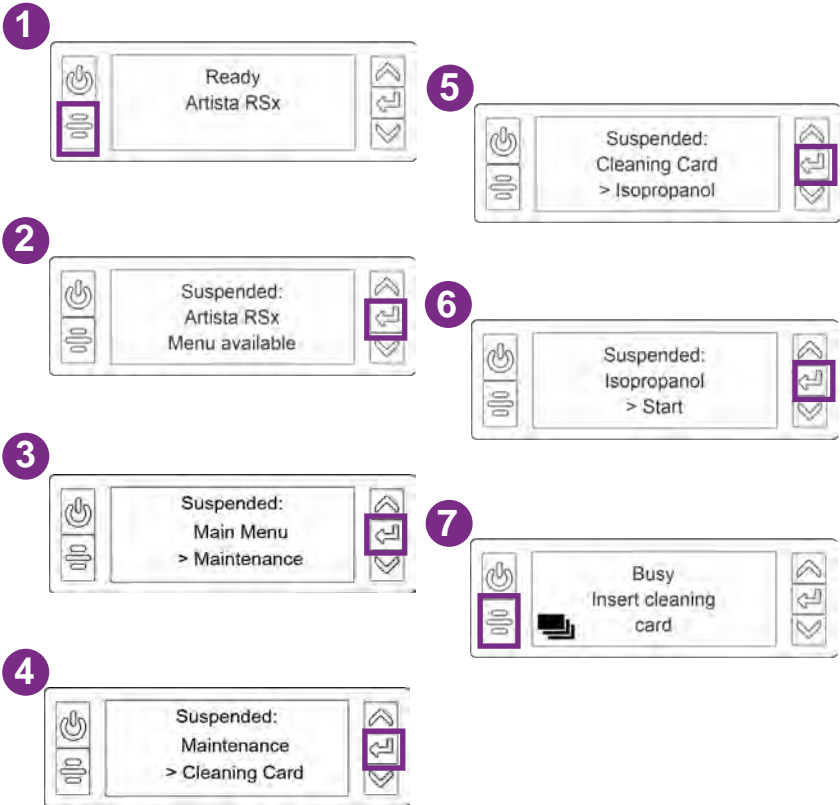
d Continue with "Run the Isopropanol Cleaning Card" on page 30.

Artista RS4 Instant Financial Issuance System

Use the Isopropanol Cleaning Card (cont.)

Run the Isopropanol Cleaning Card

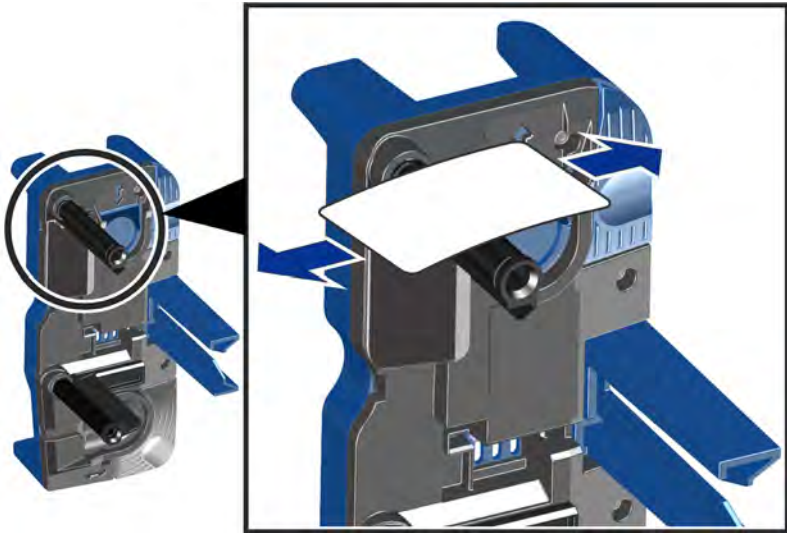
a Use the LCD panel to run the isopropanol cleaning card.



The cleaning card is ejected into the printer reject tray (RT1). Retrieve and save the cleaning card to clean the upper ribbon guide.

Use the Isopropanol Cleaning Card (cont.)

- b** After the cleaning card is used to clean the printer, reuse it to wipe debris from the upper ribbon guide post on the ribbon cartridge.



- c** Replace the supply cartridges in the printer, and the cards in the single input hopper.

Artista RS4 Instant Financial Issuance System

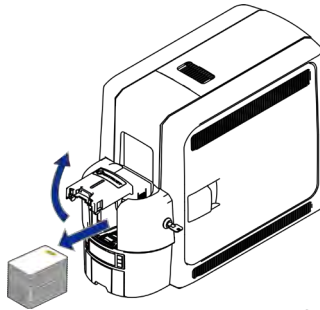
Use the Adhesive Cleaning Card

Use the adhesive cleaning card to remove particles that result from the retransfer process. Refer to the "[Cleaning Schedule](#)" on [page 27](#) for information about when to use the adhesive cleaning card.

Single-Hopper Printer

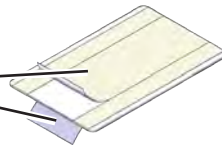
a Unlock the printer and remove the supply cartridges and cleaning sleeve.

Open the input hopper and remove the unprinted cards. Handle the cards by the edges, or wear card inspection gloves.



b Peel off the center strips on both sides of the adhesive cleaning card. Leave the side strips in place.

Peel Off Center Strips Only



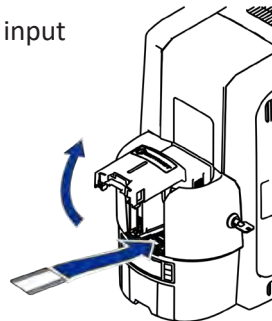
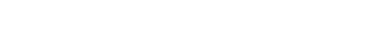
c Load the adhesive cleaning card in the input hopper.

If the cleaning card appears bowed, insert it as shown.

Card Without Bow



Card With Bow



d Close the input hopper and lock the printer.

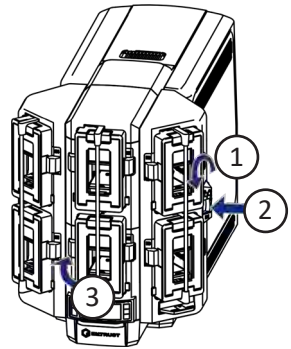
Continue with "[Run the Adhesive Cleaning Card](#)" on [page 35](#).

Use the Adhesive Cleaning Card (cont.)

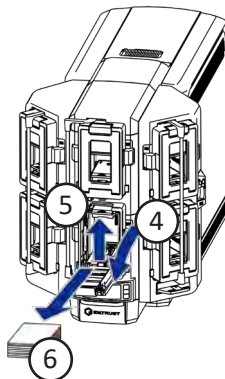
Multi-Hopper Printer

a Unlock the printer and remove the supply cartridges and cleaning sleeve.

- b**
1. Unlock the multi-hopper door lock.
 2. Slide the lock bar release button (B1) to the left to release the hopper lock bars.
 3. Rotate the center lock bar to the left to provide access to the H2 and H5 multi-hopper input cartridges.



- c**
4. Press the cartridge release button at the top of the H2 cartridge and open the cartridge door.
 5. Lift the card weight to the top of the cartridge and gently pull it forward until it locks in position.
 6. Remove the unprinted cards from the H2 cartridge. Handle the cards by the edges, or wear card inspection gloves.

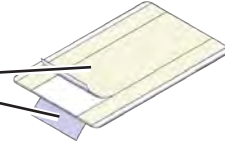


Artista RS4 Instant Financial Issuance System

Use the Adhesive Cleaning Card (cont.)

- d** Peel off the center strips on both sides of the adhesive cleaning card. Leave the side strips in place.

Peel Off Center
Strips Only



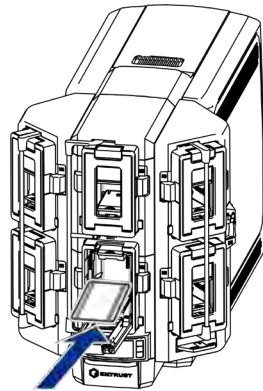
- e** Load the adhesive cleaning card in the H2 cartridge and close the cartridge door.

If the cleaning card appears bowed, insert it as shown.

Card Without Bow



Card With Bow



Do not insert the adhesive cleaning card in the exception slide of the multi-hopper.

- f** Lock the multi-hopper.

1. Rotate the center lock bar to the right to the lock position.
2. Slide the lock bar release button to the right to lock the lock bars into place.
3. Lock the multi-hopper door lock.

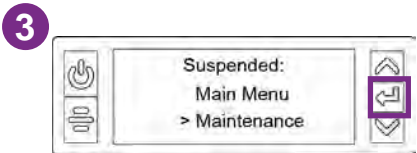
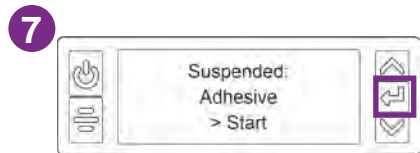
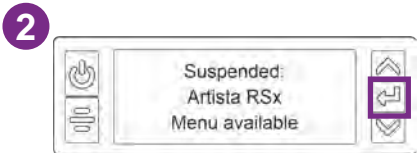
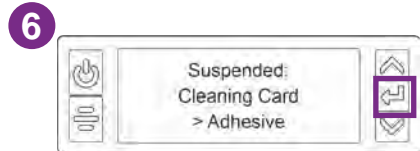
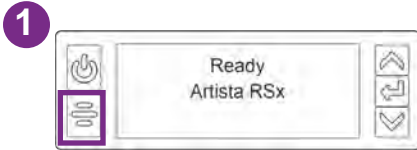
g

Continue with ["Run the Adhesive Cleaning Card"](#) on page 35.

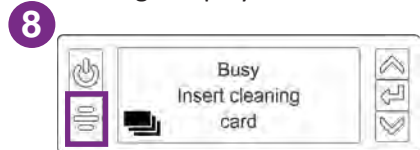
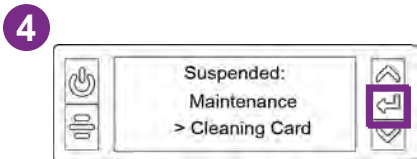
Use the Adhesive Cleaning Card (cont.)

Run the Adhesive Cleaning Card

a Use the LCD panel to run the adhesive cleaning card.

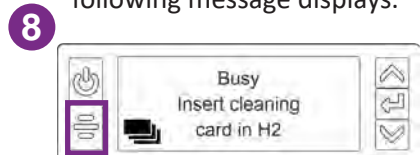
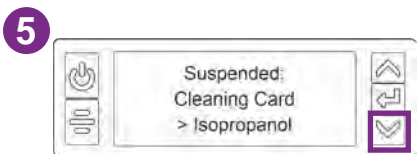


If you are cleaning a single-hopper printer, the following message displays.



OR

If you are cleaning a multi-hopper printer, the following message displays.



b Remove the adhesive cleaning card from the printer reject tray.

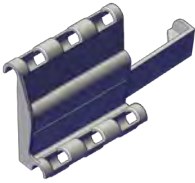
c Replace the supply cartridges, install a new cleaning sleeve, and replace the cards in the input hopper of a single-hopper printer, or the H2 cartridge of a multi-hopper printer.

Artista RS4 Instant Financial Issuance System

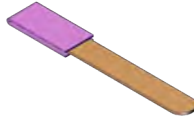
Clean the Printhead

Clean the printhead each time you change the ink ribbon, or if you notice print quality concerns.

Use the following items to clean the printhead.



Lapping Stick
Support



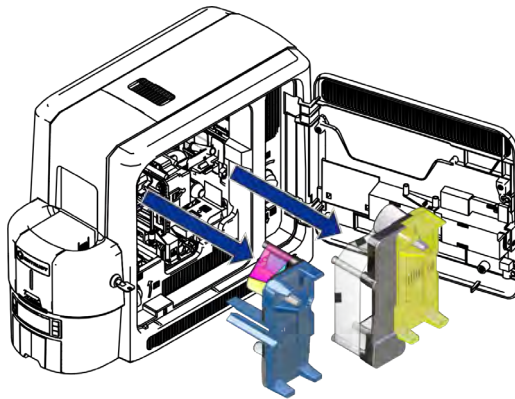
Lapping Stick



Cleaning Swab

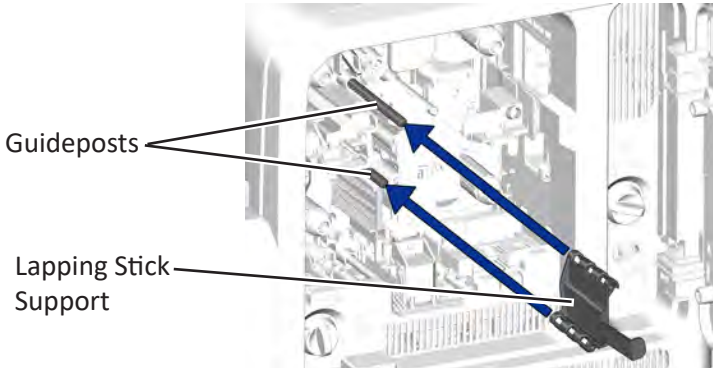
a

1. Power off and unlock the printer.
2. Open the printer access door and remove the ink ribbon (C1) and retransfer film (C2) cartridges.



Clean the Printhead (cont.)

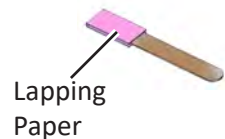
- b** Insert the lapping stick support into the printer. The support tool fits over the cartridge guideposts and slides into the printer.



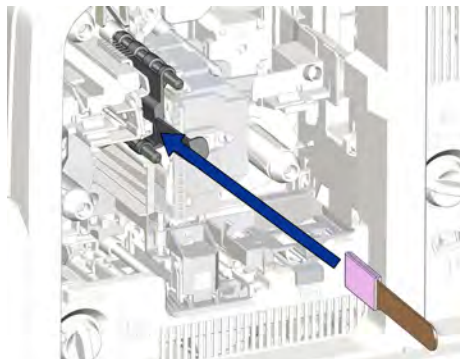
- c** Clean the printhead with the lapping stick.



Do not remove the pink lapping paper from the lapping stick.



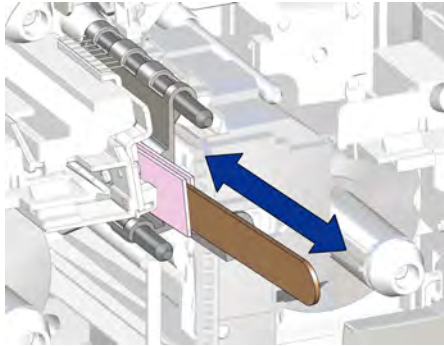
1. Insert the lapping stick into the lower portion of the support tool. Slide it in until it stops.



Artista RS4 Instant Financial Issuance System

Clean the Printhead (cont.)

2. Move the lapping stick back and forth 3 times to clean the printhead.



3. Remove the lapping stick from the support tool.

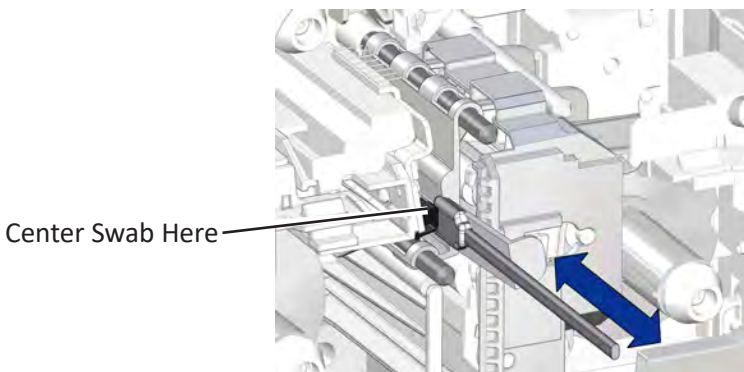


You can use the lapping stick twice, one cleaning per side. Store the lapping stick after the first use.

d

Clean the printhead with the cleaning swab.

1. Open the cleaning swab package.
2. Insert the cleaning swab into the support tool. Center the swab as shown in the illustration (or toward the top of the support tool handle).



Clean the Printhead (cont.)

3. Move the cleaning swab back and forth 3 times to remove any remaining debris from the printhead area.
4. Remove the cleaning swab from the support tool.

e

Remove the support tool from the printer.



Do not discard the lapping stick support tool. Retain it for future cleaning use.

f

1. Replace the ink ribbon and retransfer film cartridges and close and lock the printer access door.
2. Power on the printer.
3. Print one or more test cards to verify the print quality.



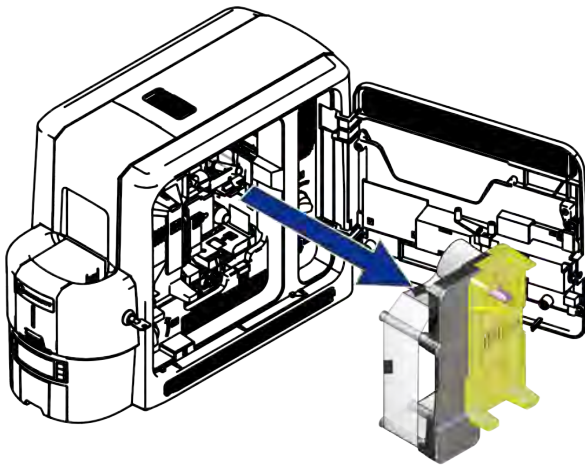
- Use only the lapping stick and cleaning swab to clean the printhead. Other materials can stick to the printhead and cause damage.
- Discard the lapping stick after the second use.
- Use the cleaning swab one time only. Discard the swab after cleaning the printhead.

Artista RS4 Instant Financial Issuance System

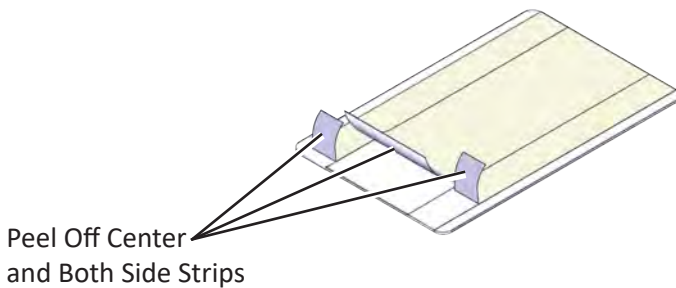
Clean the Printhead Cam Rollers

Use the adhesive cleaning card to clean the printhead cam rollers.

- a**
1. Power off the printer.
 2. Unlock the printer and open the printer access door.
 3. Remove the retransfer film cartridge (C2) from the printer.

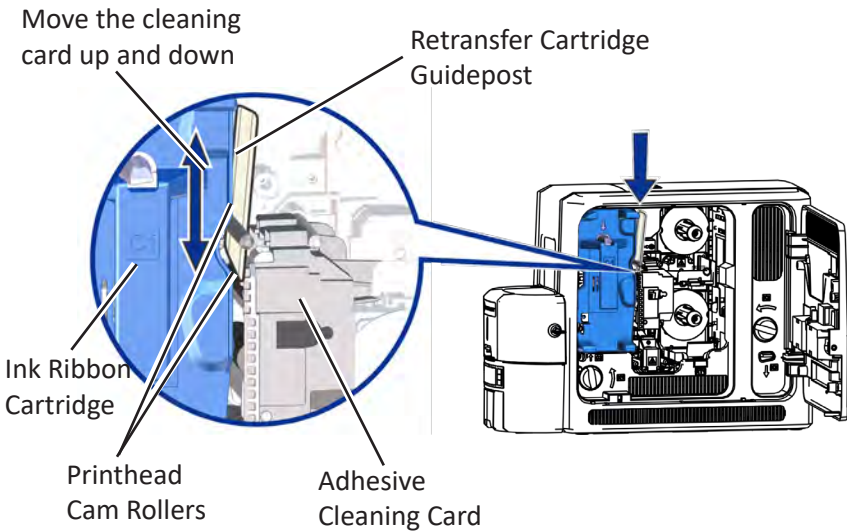


- b**
- Peel off the center and both side strips from one side of the adhesive cleaning card.



Clean the Printhead Cam Rollers (cont.)

- C** 1. Insert the cleaning card into the printer between the retransfer cartridge guidepost and the rollers. Make sure that the adhesive side of the card faces to the right and touches the rollers.
2. Move the cleaning card up and down along the rollers to remove debris.



- d** 1. Replace the retransfer film cartridge.
2. Close and lock the printer.
3. Restart the printer.

- e** Discard the used cleaning card.

Artista RS4 Instant Financial Issuance System

Notes

Notes

WARNING: This product contains chemicals, including lead, known to the State of California to cause cancer, and birth defects or other reproductive harm.

Wash hands after handling.



WARNING: This product can expose you to chemicals including Di(2-ethylhexyl)phthalate (DEHP), which is known to the State of California to cause cancer, and Di(2-ethylhexyl)phthalate (DEHP) and Butyl benzyl phthalate (BBP), which are known to the State of California to cause birth defects or other reproductive harm. For more information, go to www.P65Warnings.ca.gov and <https://www.entrust.com/legal-compliance/environmental-product-certifications>.



ENTRUST

1187 Park Place

Minneapolis, Minnesota 55379

952.933.1223 • 952.933.7971 Fax

www.entrust.com

Entrust, Sigma and the hexagon design are trademarks, registered trademarks and/or service marks, and Datacard is a registered trademark and service mark, of the Entrust Corporation in the United States and other countries. All other trademarks are the property of their respective owners.

© 2024. The design and information contained in these materials is protected



ENTRUST

الدليل المرجعي للمستخدم

نظام الإصدار المالي الفوري لـ
Entrust Artista® RS4

الدليل المرجعي للمستخدم



ENTRUST

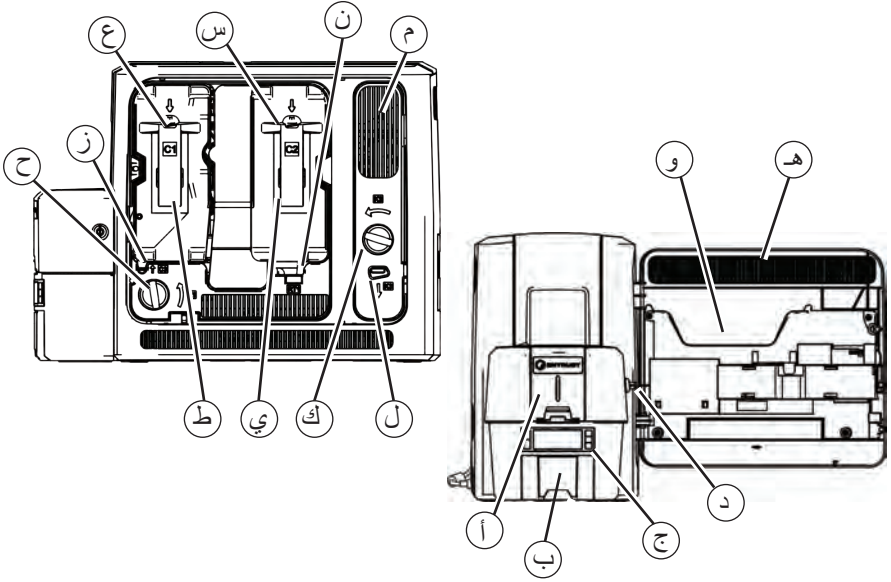
أكتوبر، 2024

إصدار أ 528505-001AR

المحتويات

3	نظام الإصدار المالي الفوري لـ RS4
4	طباعة RS4 بمدرج متعدد اختياري
5	تحميل البطاقات في طباعة ذات مدرج فردي
6	استخدم فتحة الاستثناء
7	تحميل البطاقات في طباعة ذات مدرج متعدد
9	استخدام شريحة استثناء المدرج المتعدد
10	استبدال شريط الحبر الملون
12	استبدال أسطوانة التنظيف
14	استبدال فيلم إعادة النقل
16	إفراغ درج البطاقات المرفوضة
17	أزل انحشار بطاقة النقل الأفقية K1
19	أزل انحشار بطاقة النقل العمودية K2
20	إزالة البطاقة المحشورة القلابية
21	إصلاح شريط الحبر المكسور
22	إصلاح فيلم إعادة النقل المكسور
23	فحص توصيل الطاقة
24	فحص توصيل البيانات
25	رسائل LCD العامة
26	المخاوف الشائعة المتعلقة بجودة الطباعة
27	جدول التنظيف
28	استخدام بطاقة تنظيف الأيزوبروبانول
32	استخدام بطاقة التنظيف اللاصقة
36	تنظيف رأس الطباعة
40	نظف بكرات كاميرا رأس الطباعة

نظام الإصدار المالي الفوري لـ RS4

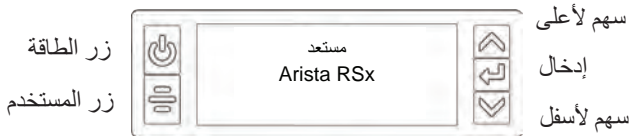


- ي خرطوشة إعادة النقل (C2)
 ك مقبض يدوي متطور (K2)
 ل تحرير باب الوصول الخلفي (K3)
 م منطقة النقل العمودي
 ن صندوق الرفض (RT1)
 س زر إعادة نقل خرطوشة الفيلم
 ص زر تحرير خرطوشة شريط الحبر

- أ مدرج تلقيم المدخلات
 ب مدرج إخراج اللوحة الأمامية
 ج قفل الطابعة
 د باب الوصول إلى الطابعة
 هـ خانة الدليل المرجعي للمستخدم
 و تنظيف مقبض المغزل (C3)
 ز مقبض يدوي متطور (K1)
 ط خرطوشة شريط الحبر (C1)

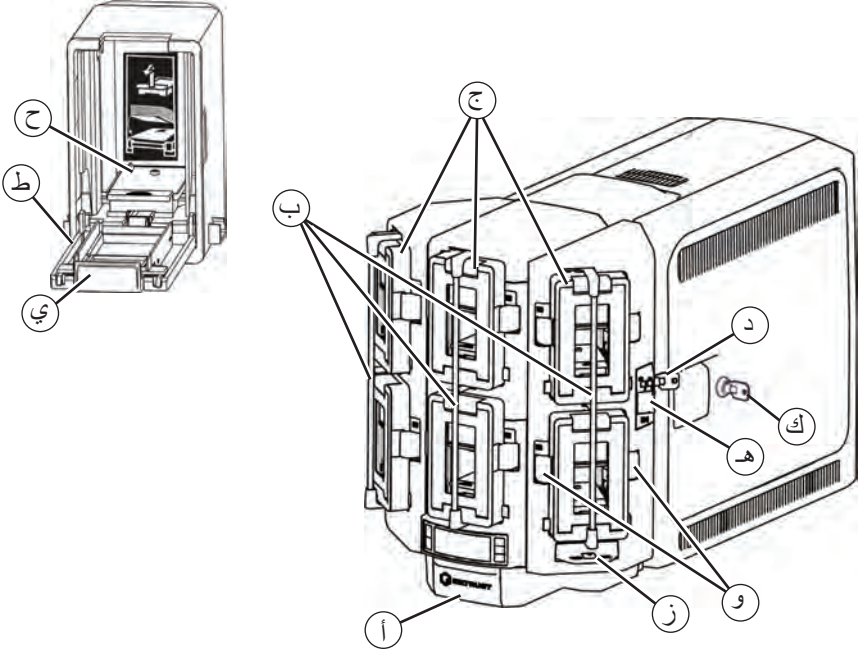
اللوحة الأمامية

لوحة LCD أمامية



نظام الإصدار المالي الفوري لـ Artista RS4

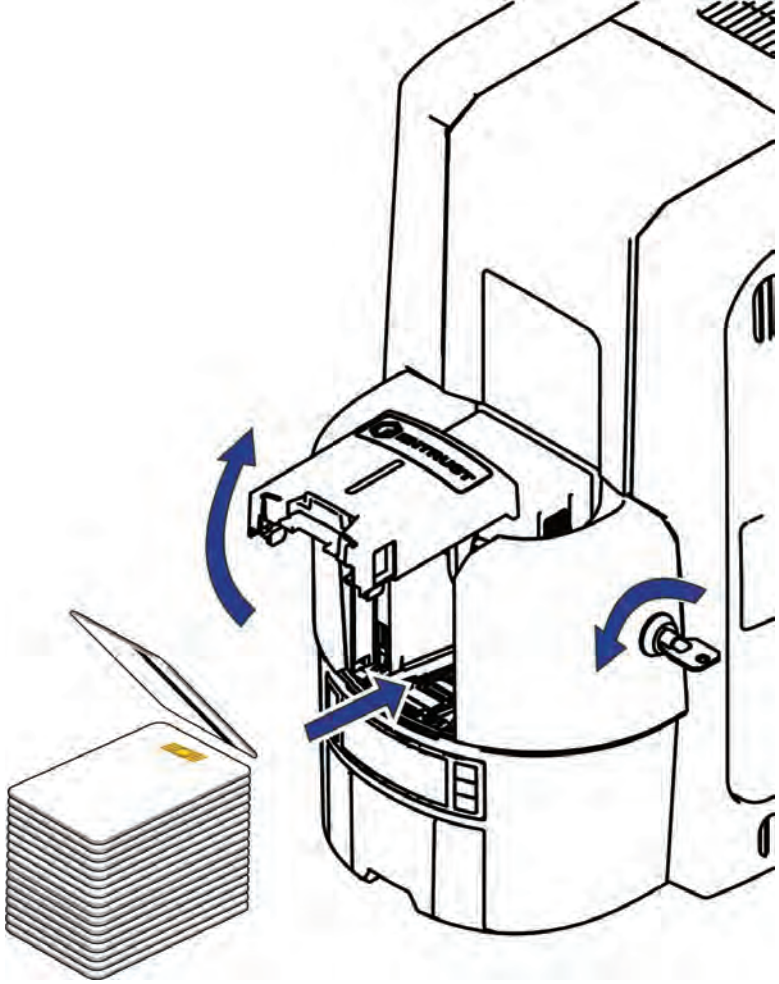
طابعة RS4 بمدرج متعدد اختياري

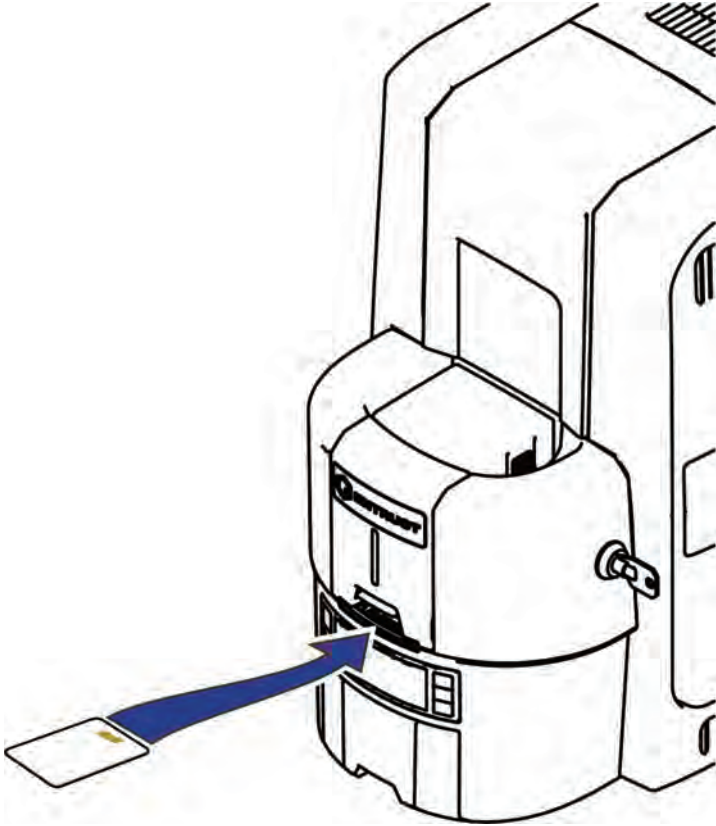


ز = شريحة الاستثناء
ح = وزن البطاقة
ط = باب الخرطوشة
ي = زر تحرير باب الخرطوشة
ك = قفل الطابعة

أ = مدرج إخراج
ب = شرائط إغلاق المدرج
ج = مدارج الإدخال 1-6
د = قفل ذو مدرج متعدد
هـ = زر تحرير شريط القفل (B1)
و = أزرار تحرير خرطوشة المدرج

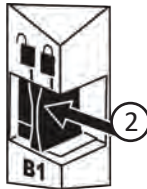
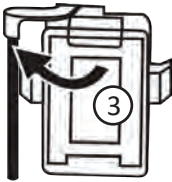
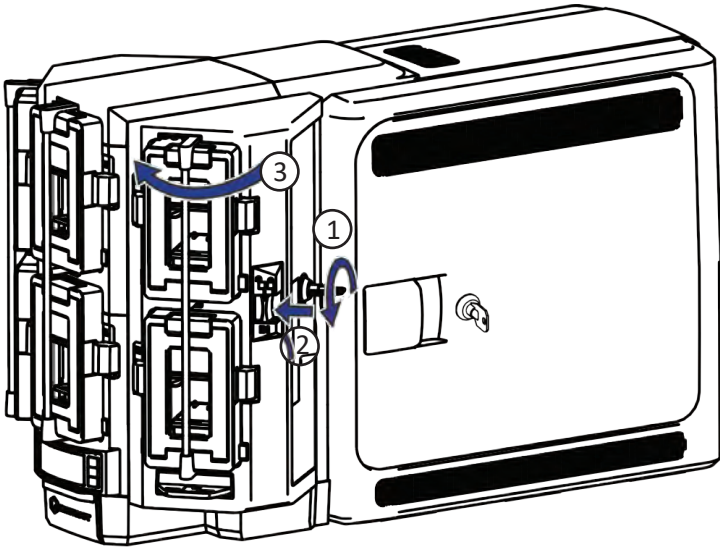
تحميل البطاقات في طابعة ذات مدرج فردي





تحميل البطاقات في طابعة ذات مدرج متعدد

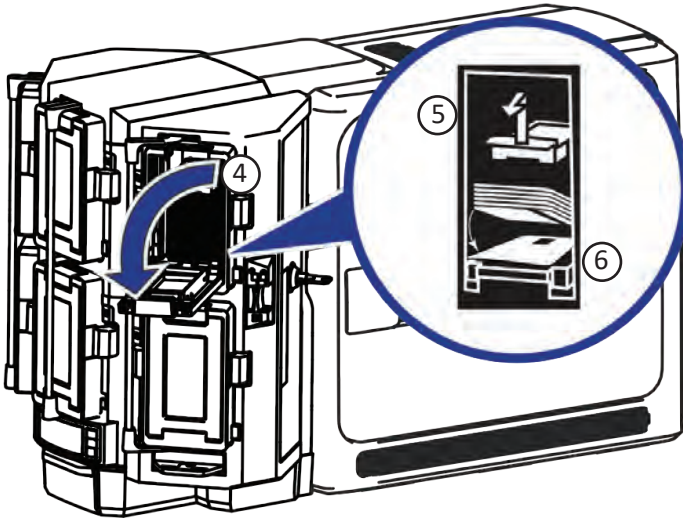
1. أغلق قفل المدرج المتعدد.
2. حرك زر تحرير شريط القفل (B1) إلى اليسار.
3. قم بتدوير شريط القفل إلى اليسار.



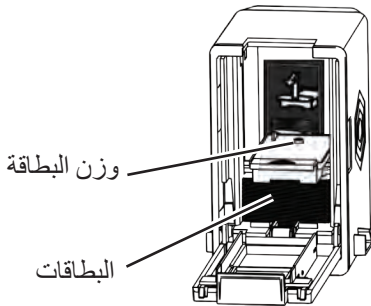
نظام الإصدار المالي الفوري لـ Artista RS4

تحميل البطاقات في طابعة ذات مدرج متعدد (تابع).

4. اضغط على زر تحرير الخرطوشة الموجود أعلى الخرطوشة وافتح باب الخرطوشة.
5. ارفع وزن البطاقة لأعلى الخرطوشة واسحبه إلى الأمام حتى تستقر في موضعها.
6. حمّل البطاقات في خرطوشة المدرج.



أغلق باب الخرطوشة لتحرير وزن البطاقة بحيث يستقر فوق البطاقات.

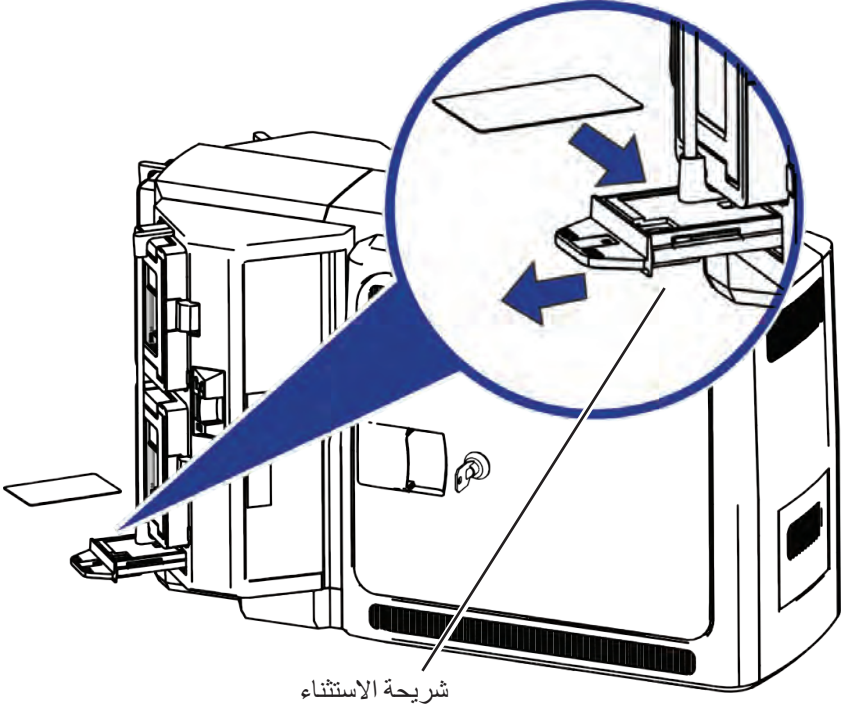


كرر هذا الفعل مع كل خرطوشة مدرج إدخال.
أعد جميع الأقفال إلى وضع الإغلاق عند الانتهاء.

استخدام شريحة استثناء المدرج المتعدد

اسحب شريحة الاستثناء ذات المدرج المتعدد وأدرج البطاقة.

أ

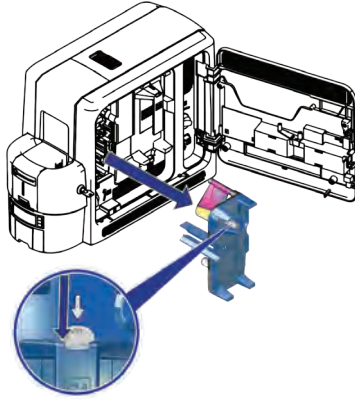


تحقق من شريحة الاستثناء.

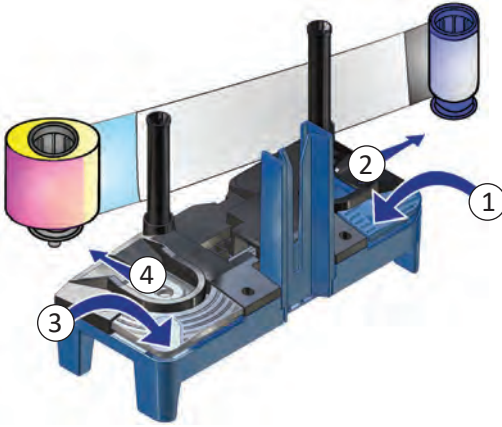
ب

استبدال شريط الحبر الملون

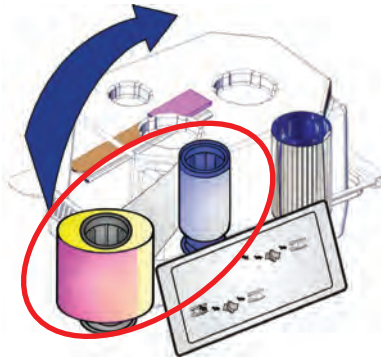
أ



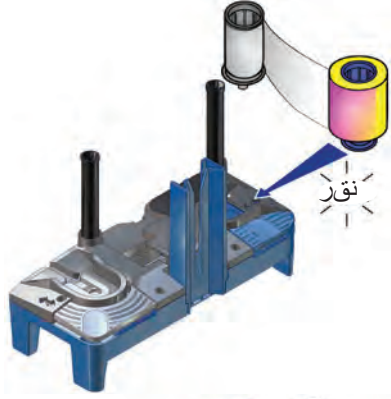
ب



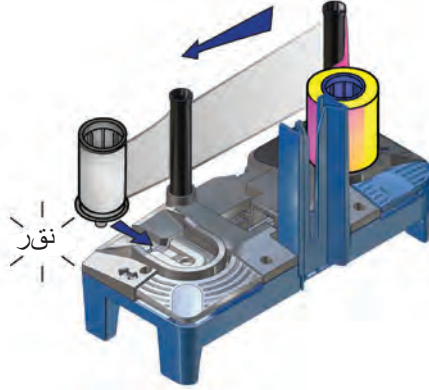
ج



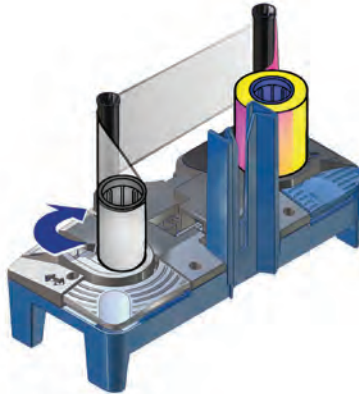
استبدل شريط الحبر الملون (تابع).



د



هـ

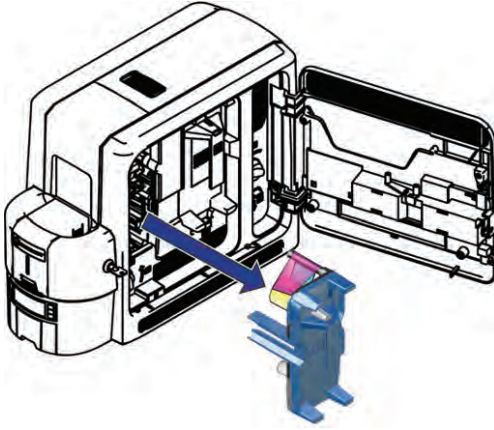


و

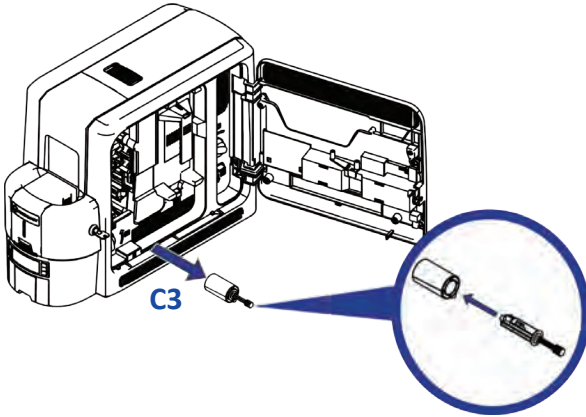
استبدل خرطوشة شريط الحبر الموجود في الطابعة.

ز

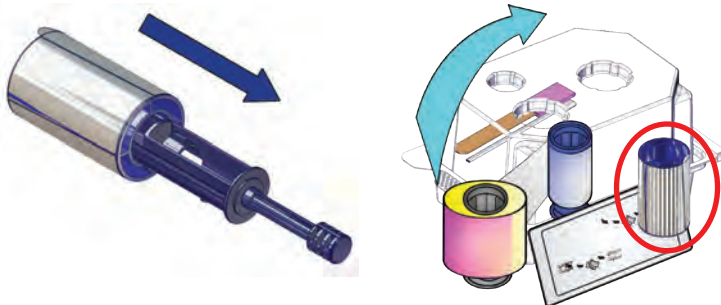
أ



ب



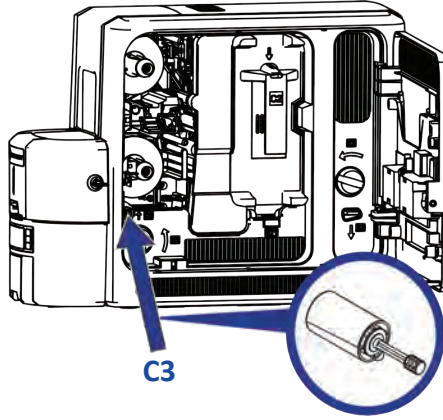
ج



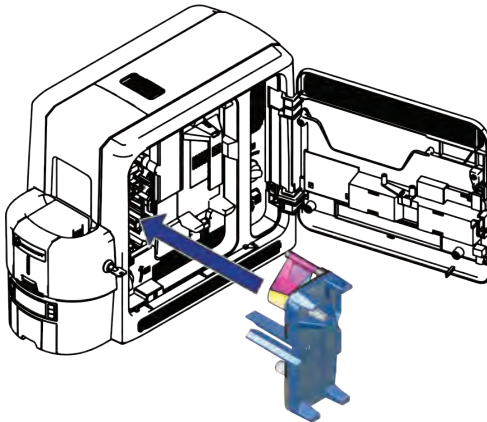
استبدال أسطوانة التنظيف (تابع).



د



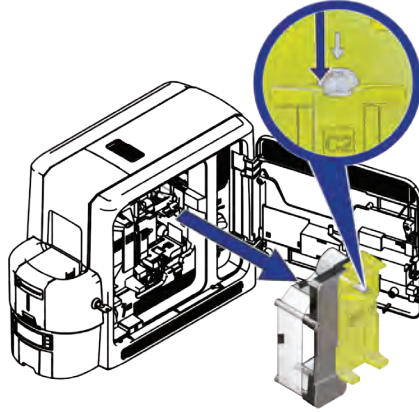
هـ



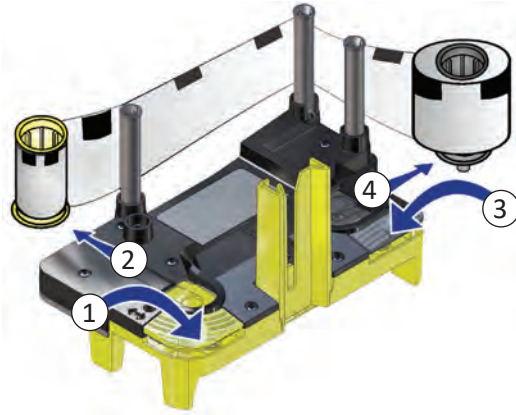
و

استبدال فيلم إعادة النقل

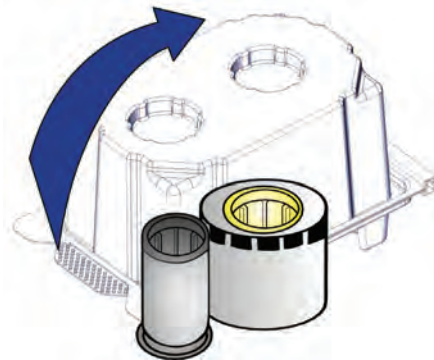
أ



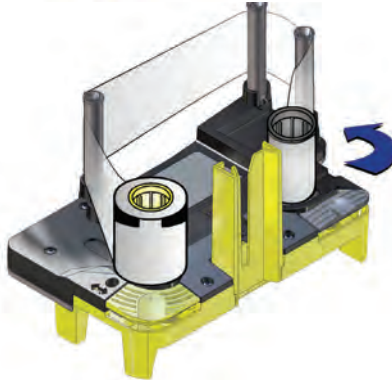
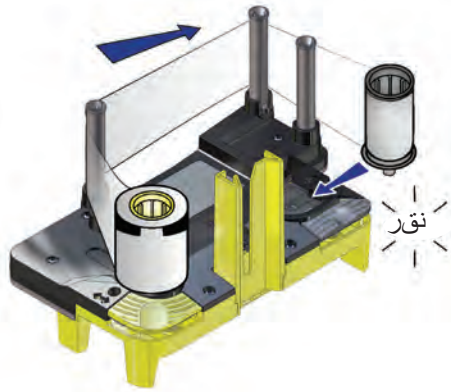
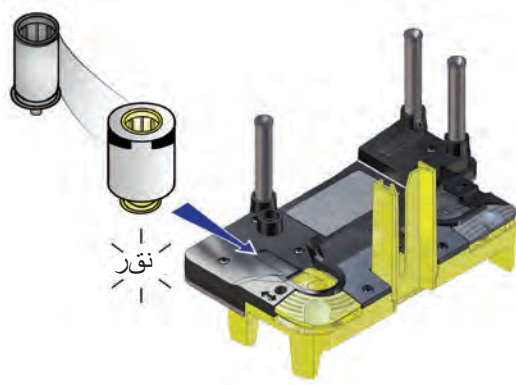
ب



ج

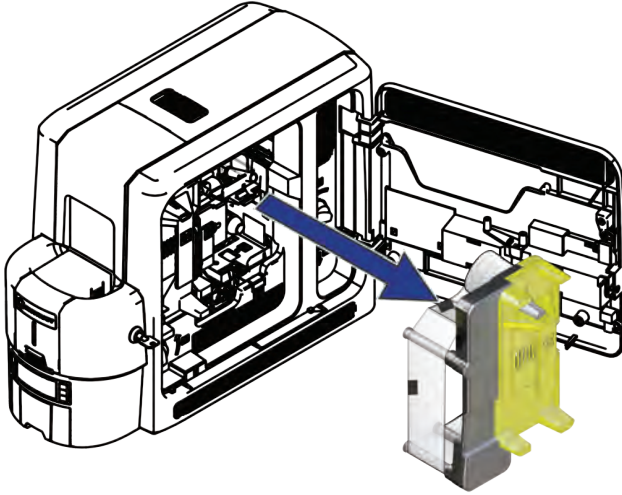


استبدل فيلم إعادة النقل (تابع).

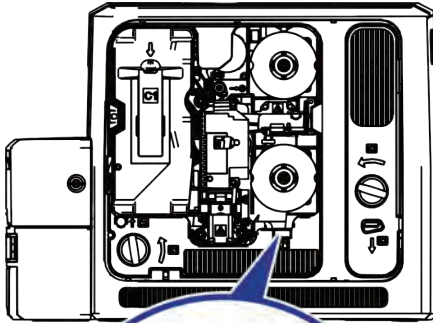


استبدل خرطوشة فيلم إعادة النقل الموجود في الطابعة.

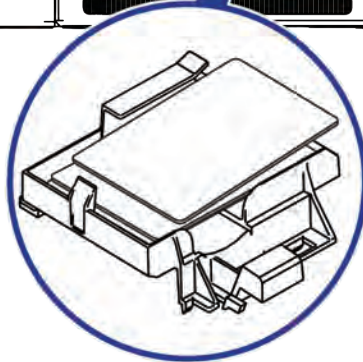
ز



أ



ب

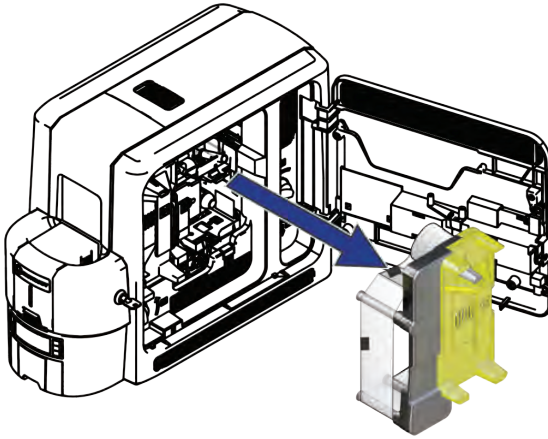


أزل انحشار بطاقة النقل الأفقية K1

طابعة ذات مدرج فردي

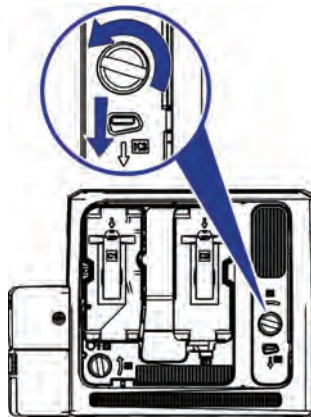
افتح الطابعة وافتح باب الوصول إليها.
أزل خرطوشة فيلم إعادة النقل.

أ



أدر المقبض اليدوي المتطور K1 في اتجاه عكس عقارب الساعة لتحريك البطاقة الممزقة إلى مدرج الإخراج.
أزل البطاقات من خلال مدرج الإخراج.

ب



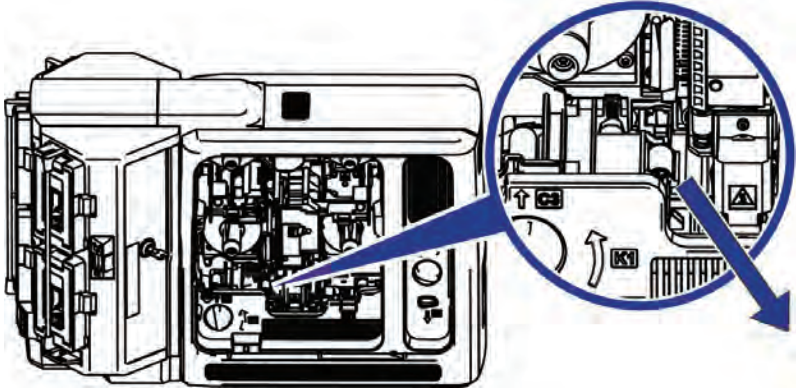
استبدل خرطوشة فيلم إعادة النقل وأغلق الطابعة.

ج

أزل انحشار بطاقة النقل الأفقية K1 (تابع)

طابعة ذات مدرج متعدد

1. افتح الطابعة وافتح باب الوصول إليها.
2. أزل شريط الحبر وخرطيش فيلم إعادة النقل.
3. حدد موقع البطاقة في الطابعة. أدر المقبض اليدوي المتطور K1 إذا لزم الأمر للوصول إلى البطاقة.
4. أزل البطاقة من الطابعة.

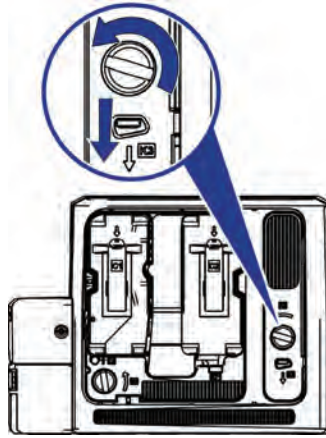


استبدل الخرطيش وأغلق الطابعة.

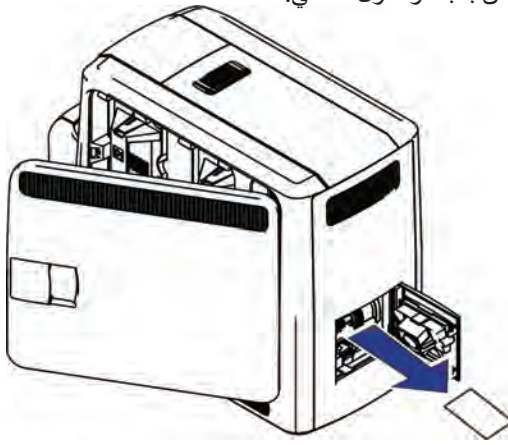
ب

أزل انحشار بطاقة النقل العمودية K2

1. افتح الطابعة وافتح باب الوصول إليها.
2. اضغط على تحرير باب الوصول الخلفي K3 لفتح باب الوصول الخلفي.
3. أدر المقبض اليدوي المتطور K2 في اتجاه عكس اتجاه عقارب الساعة لتحريك البطاقة الممزقة داخل وسيلة النقل العمودية حتى يمكن الوصول إليها من خلال باب الوصول الخلفي.



أزل البطاقة من باب الوصول الخلفي.



أغلق أبواب الطابعة واقفل الطابعة.

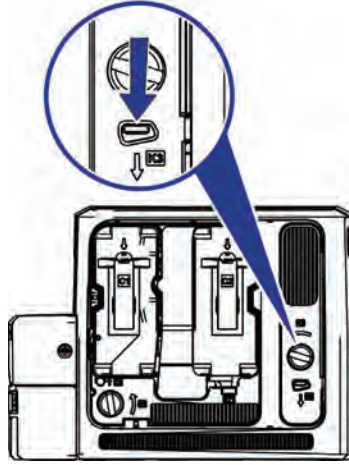
نظام الإصدار المالي الفوري لـ Artista RS4

إزالة البطاقة المحشورة القلابية

افتح الطابعة وافتح باب الوصول إليها.

اضغط على تحرير باب الوصول الخلفي K3 لفتح باب الوصول الخلفي.

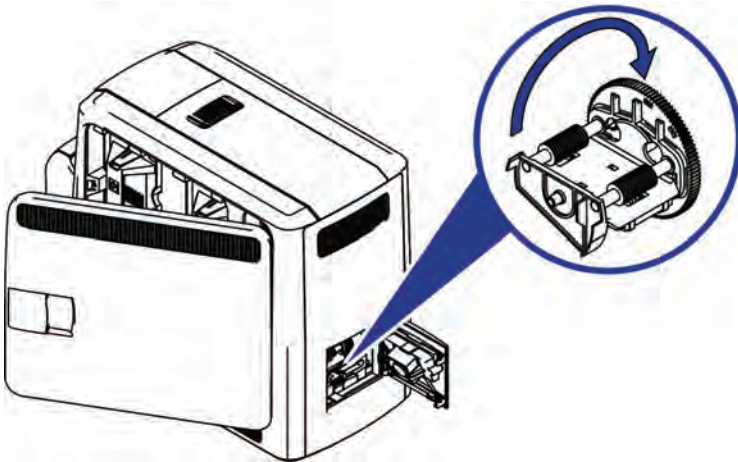
أ



أدر الوحدة القلابية للوصول إلى البطاقة.

أزل البطاقة من باب الوصول الخلفي.

ب

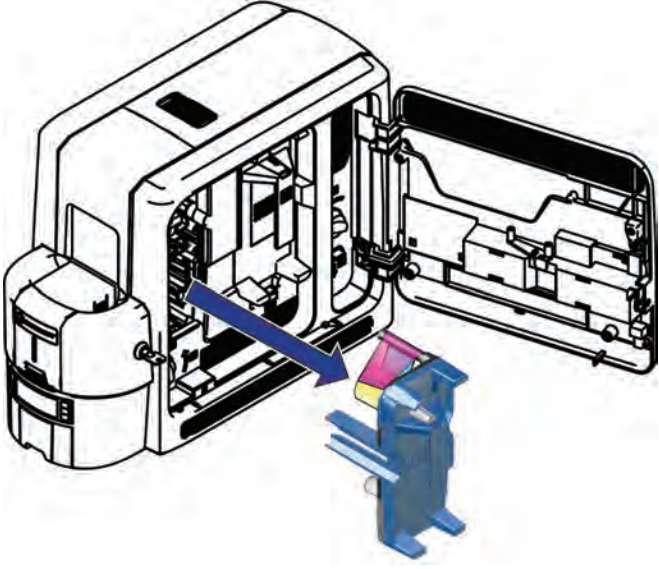


أغلق أبواب الطابعة واقفل الطابعة.

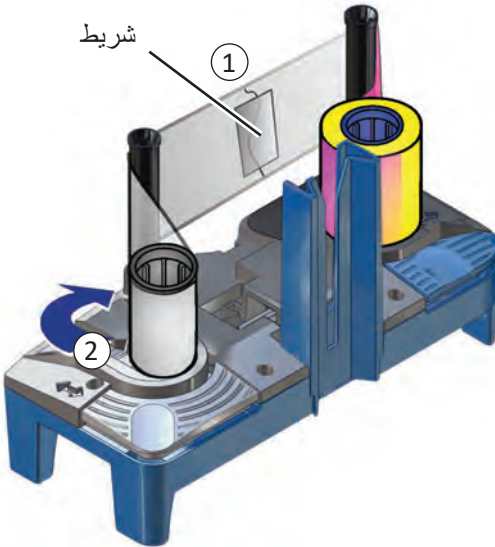
ج

إصلاح شريط الحبر المكسور

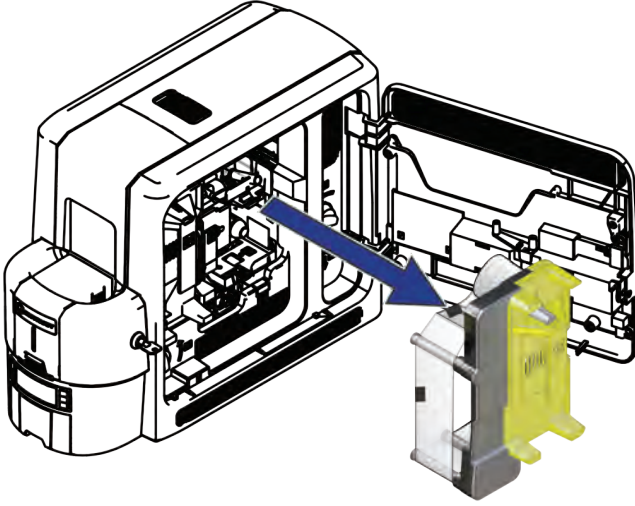
أ



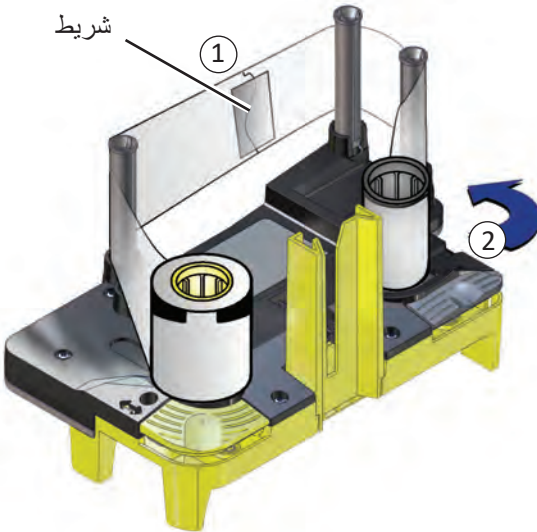
ب

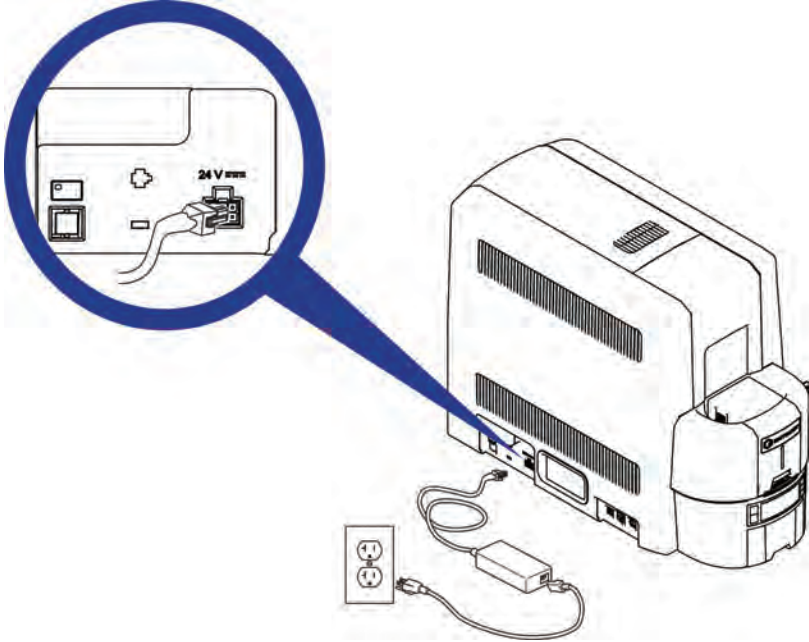


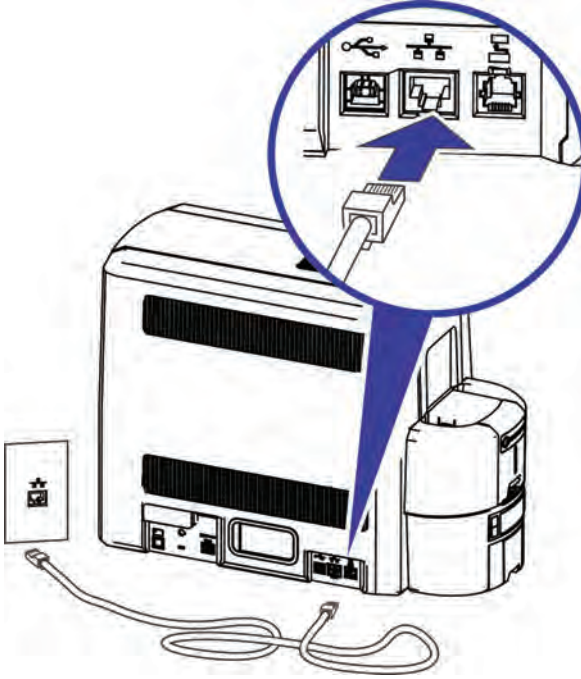
أ



ب







رسائل LCD العامة

رسالة خطأ	ارجع إلى:
112: مدرج البطاقات فارغ	"تحميل البطاقات في طابعة ذات مدرج فردي" في صفحة 5 "استخدم فتحة الاستثناء" في صفحة 6 "تحميل البطاقات في طابعة ذات مدرج متعدد" في صفحة 7 "استخدام شريحة استثناء المدرج المتعدد" في صفحة 9
166: إمداد C2 تمت إزالته أو فقده 167: إمداد C2 غير محدد 168: إمداد C2 غير مدعوم	"استبدل فيلم إعادة النقل" في صفحة 14
172: إيقاف التشغيل غير السليم	"فحص توصيل الطاقة" في صفحة 23 "فحص توصيل البيانات" في صفحة 24
175: خطأ في إمداد C2	"إصلاح فيلم إعادة النقل المكسور" في صفحة 22
234: تحويل انحشار البطاقة K1	"أزل انحشار بطاقة النقل الأفقية K1" في صفحة 17
235: تحويل انحشار البطاقة K2	"أزل انحشار بطاقة النقل العمودية K2" في صفحة 19
236: خطأ في تدوير وحدة القلاب	"إزالة البطاقة المحشورة القلاب" في صفحة 20
237: إمداد C1 تمت إزالته أو فقده 238: إمداد C1 غير محدد 239: إمداد C1 غير مدعوم	"استبدل شريط الحبر الملون" في صفحة 10 "استبدل أسطوانة التنظيف" في صفحة 12
240: خطأ في الإمداد C1	"إصلاح شريط الحبر المكسور" في صفحة 21
242: درج البطاقات المرفوضة RT1 ممتلئ	"إفراغ درج البطاقات المرفوضة" في صفحة 16
277: خطأ في التقاط المدرج المتعدد	"تحميل البطاقات في طابعة ذات مدرج متعدد" في صفحة 7

نظام الإصدار المالي الفوري لـ Artista RS4

المخاوف الشائعة المتعلقة بجودة الطباعة

المشكلة	السبب	الحل
عدم تكرار النقاط الملونة على البطاقات	تواجد الغبار على شريط الحبر أو فيلم إعادة النقل	<ul style="list-style-type: none"> تقدم الإمداد أو "استبدل شريط الحبر الملون" في صفحة 10 "استبدل فيلم إعادة النقل" في صفحة 14
تظهر تجاعيد على البطاقات.	الإمدادات مُجمعة	<ul style="list-style-type: none"> تقدم الإمداد أو "استبدل شريط الحبر الملون" في صفحة 10 "استبدل فيلم إعادة النقل" في صفحة 14
صور غير واضحة أو باهتة مناطق صغيرة غير مطبوعة على البطاقات	<ul style="list-style-type: none"> بصمات الأصابع أو المخلفات أو الخدوش على البطاقات المخلفات الموجودة داخل الطباعة رأس الطباعة متسخ 	<ul style="list-style-type: none"> تأكد من نظافة البطاقات نظف الطباعة. راجع "جدول التنظيف" في صفحة 27 "استبدل أسطوانة التنظيف" في صفحة 12 "تنظيف رأس الطباعة" في صفحة 36
تكرار النقاط الملونة على البطاقات المتعددة	الغبار أو المخلفات على بكرات الكاميرا	"نظف بكرات كاميرا رأس الطباعة" في صفحة 40
ظهور خطوط ملونة أو بيضاء على البطاقات	الغبار أو المخلفات على رأس الطباعة	<ul style="list-style-type: none"> اطبع بطاقة أخرى لمعرفة ما إذا كانت المشكلة لا تزال مستمرة "تنظيف رأس الطباعة" في صفحة 36

- يرجى الرجوع إلى دليل المستخدم لنظام الإصدار الفوري CR825 و CE875 للحصول على معلومات إضافية حول استكشاف الأخطاء وإصلاحها.
- يرجى أيضًا الرجوع إلى "جدول التنظيف" في صفحة 27 للاطلاع على أفضل الممارسات الموصى بها لصيانة الطباعة.

جدول التنظيف

اتبع جدول التنظيف الموصى به للحفاظ على الطابعة وضمان أفضل جودة للطباعة.

الجدول	الإجراء	الطريقة
عند تغيير شريط الحبر	نظف الطابعة باستخدام بطاقة تنظيف الأيزوبروبانول.	<ul style="list-style-type: none"> • "طابعة ذات مدرج فردي" في صفحة 28 • "طابعة ذات مدرج متعدد" في صفحة 29
	استبدل أسطوانة التنظيف (C3).	"استبدل أسطوانة التنظيف" في صفحة 12
	تنظيف رأس الطابعة.	"تنظيف رأس الطابعة" في صفحة 36
إذا رأيت جزينات على البطاقات المكتملة	استبدل أسطوانة التنظيف (C3).	"استبدل أسطوانة التنظيف" في صفحة 12
	نظف الطابعة باستخدام بطاقة التنظيف اللاصقة.	<ul style="list-style-type: none"> • "طابعة ذات مدرج فردي" في صفحة 32 • "طابعة ذات مدرج متعدد" في صفحة 33
إذا رأيت خطوطاً ملونة أو بيضاء على البطاقات المكتملة	تنظيف رأس الطابعة.	"تنظيف رأس الطابعة" في صفحة 36
إذا رأيت نقاطاً ملونة متكررة على البطاقات المكتملة	نظف بكرات كاميرا رأس الطابعة.	"نظف بكرات كاميرا رأس الطابعة" في صفحة 40

عند تنظيف الطابعة باستخدام بطاقة تنظيف الأيزوبروبانول أو اللاصقة، أزل شريط الحبر (C1) وخرطيش فيلم إعادة النقل (C2) وغطاء التنظيف.

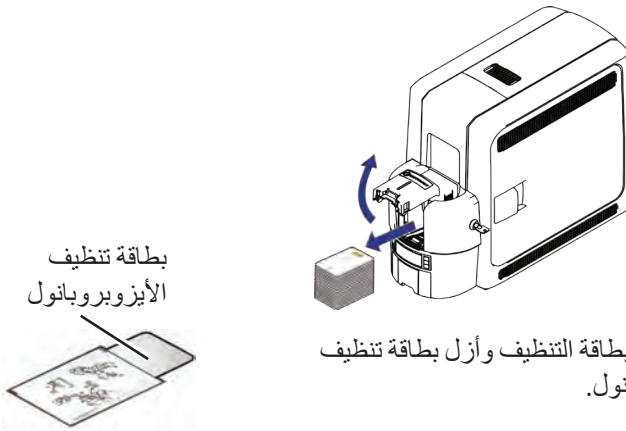


استخدام بطاقة تنظيف الأيزوبروبانول

استخدم بطاقة تنظيف الأيزوبروبانول بانتظام لتنظيف الطابعة. راجع "جدول التنظيف" في صفحة 27

طابعة ذات مدرج فردي

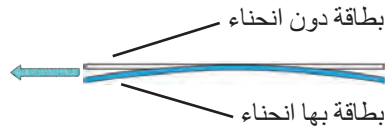
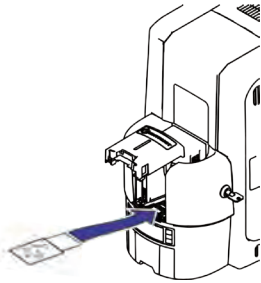
أ افتح الطابعة وأزل خراطيش الإمداد وغطاء التنظيف.
افتح مدرج الإدخال وأزل البطاقات غير المطبوعة. امسك البطاقات من الحواف، أو ارتد قفازات فحص البطاقات.



ب افتح حزمة بطاقة التنظيف وأزل بطاقة تنظيف الأيزوبروبانول.

ج قم بتحميل بطاقة التنظيف في مدرج الإدخال.

إذا ظهرت بطاقة التنظيف منحنية، فأدخلها كما هو موضح.



د أغلق مدرج الإدخال وأقل الطابعة.

استمر في "شغل بطاقة تنظيف الأيزوبروبانول" في صفحة 30.

استخدام بطاقة تنظيف الأيزوبروبانول (تابع)
طابعة ذات مدرج متعدد

أ افتح الطابعة وأزل خراطيش الإمداد وغطاء التنظيف.

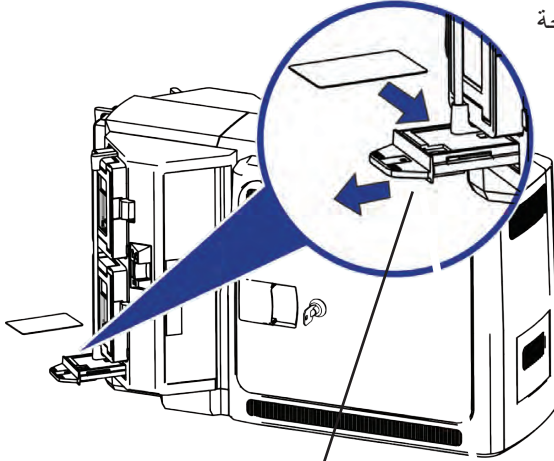
ب قم بإزالة بطاقة التنظيف من غلافها.

بطاقة تنظيف
الأيزوبروبانول



ج 1. اسحب شريحة الاستثناء ذات المدرج المتعدد وأدرج بطاقة التنظيف.

2. تحقق من شريحة الاستثناء.



شريحة الاستثناء

إذا ظهرت بطاقة التنظيف منحنية،
فأدخلها كما هو موضح.

بطاقة دون انحناء



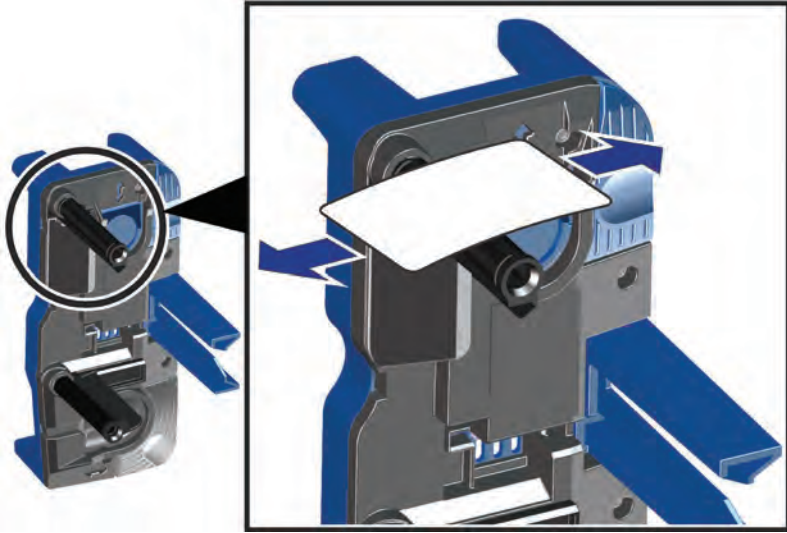
بطاقة بها انحناء

د استمر في "شغل بطاقة تنظيف الأيزوبروبانول" في صفحة 30.

استخدام بطاقة تنظيف الأيزوبروبانول (تابع)

بعد استخدام بطاقة التنظيف لتنظيف الطابعة، استخدمها مرة أخرى لمسح المخلفات من دليل الشريط العلوي في خرطوشة الشريط.

ب



استبدل خرطوش الإمداد في الطابعة، والبطاقات الموجودة في مدرج الإدخال المنفرد.

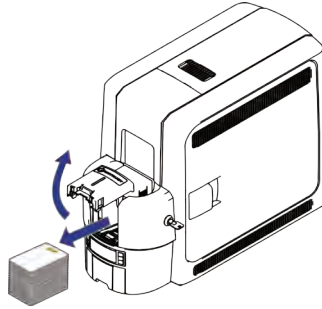
ج

استخدام بطاقة التنظيف اللاصقة

استخدم بطاقة التنظيف اللاصقة لإزالة الجزيئات الناتجة عن عملية إعادة النقل. راجع "جدول التنظيف" في صفحة 27 للحصول على معلومات حول وقت استخدام بطاقة التنظيف اللاصقة.

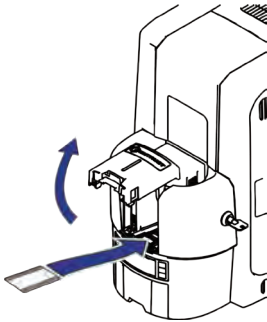
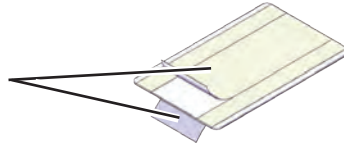
طابعة ذات مدرج فردي

افتح الطابعة وأزل خراطيش الإمداد وغطاء التنظيف.
افتح مدرج الإدخال ثم أزل البطاقات غير المطبوعة. امسك البطاقات من الحواف، أو ارتد قفازات فحص البطاقات.



انزع الشرائط الوسطى الموجودة على جانبي بطاقة التنظيف اللاصقة.
اترك الشرائط الجانبية في مكانها.

انزع الشرائط
الوسطى فقط



قم بتحميل بطاقة التنظيف اللاصقة في
مدرج الإدخال.
إذا ظهرت بطاقة التنظيف منحنية،
فأدخلها كما هو موضح.

بطاقة دون انحناء

بطاقة بها انحناء

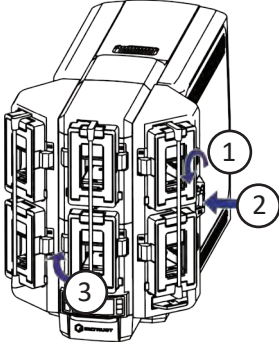
أغلق مدرج الإدخال وأقل الطابعة.

استمر في "تشغيل بطاقة التنظيف اللاصقة" في صفحة 35.

استخدام بطاقة التنظيف اللاصقة (تابع)

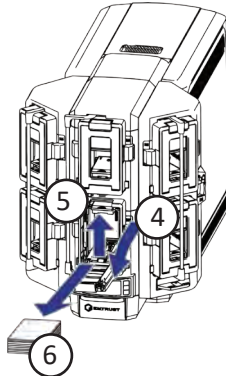
طابعة ذات مدرج متعدد

افتح الطابعة وأزل خراطيش الإمداد وغطاء التنظيف.



1. افتح باب المدرج المتعدد.
2. حرك زر تحرير شريط القفل (B1) إلى اليسار لتحرير قضبان قفل المدرج.
3. دور شريط القفل الأوسط إلى اليسار لتوفير الوصول إلى خراطيش الإدخال متعددة المدرج H2 و H5.

4. اضغط على زر تحرير الخرطوشة الموجود أعلى الخرطوشة H2 وافتح باب الخرطوشة.
5. ارفع وزن البطاقة لأعلى الخرطوشة واسحبه برفق إلى الأمام حتى تستقر في موضعها.
6. أزل البطاقات غير المطبوعة من خرطوشة H2. امسك البطاقات من الحواف، أو ارتد قفازات فحص البطاقات.

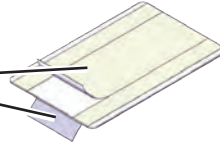


نظام الإصدار المالي الفوري لـ Artista RS4

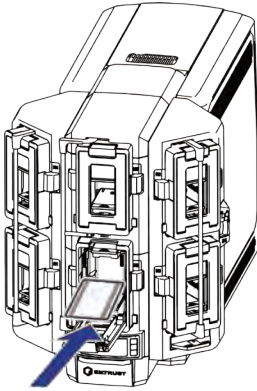
استخدام بطاقة التنظيف اللاصقة (تابع)

انزع الشرائط الوسطى الموجودة على جانبي بطاقة التنظيف اللاصقة. اترك الشرائط الجانبية في مكانها.

انزع الشرائط
الوسطى فقط



قم بتحميل بطاقة التنظيف اللاصقة في خرطوشة H2 وأغلق باب الخرطوشة.




إذا ظهرت بطاقة التنظيف منحنية، فأدخلها كما هو موضح.

بطاقة دون انحناء



بطاقة بها انحناء

لا تدخل بطاقة التنظيف اللاصقة في الشريحة الاستثنائية للمدرج المتعدد. 

أغلق المدرج المتعدد.

1. دور شريط القفل الأوسط إلى اليمين للوصول إلى موضع القفل.
2. حرّك زر تحرير شريط القفل إلى اليمين لقفل أشرطة القفل في مكانها.
3. اقفل باب المدرج المتعدد.

استمر في "تشغيل بطاقة التنظيف اللاصقة" في صفحة 35.

استخدام بطاقة التنظيف اللاصقة (تابع)

تشغيل بطاقة التنظيف اللاصقة

استخدم لوحة LCD لتشغيل بطاقة التنظيف اللاصقة.

١

مستعد
Arista RSx

٢

معلق:
Arista RSx
القائمة المتاحة

٣

معلق:
القائمة الرئيسية
> الصيانة

٤

معلق:
الصيانة
> بطاقة التنظيف

٥

معلق:
بطاقة التنظيف
> إيزوبونول

٦

معلق:
بطاقة التنظيف
> لاصق

٧

معلق:
لاصق
> ابدأ

٨

مشغول
أدخل بطاقة
التنظيف

أو

٨

مشغول
أدخل بطاقة التنظيف
في H2

إذا كنت تنظف طابعة ذات مدرج واحد،
ستُعرض الرسالة التالية.

إذا كنت تنظف طابعة ذات مدرج
متعدد، ستُعرض الرسالة التالية.

أزل بطاقة التنظيف اللاصقة من درج رفض الطابعة.

استبدل خراطيش الإمداد، وثبت غلاف تنظيف جديد، واستبدل البطاقات في مدرج الإدخال الخاص بالطابعة ذات المدرج الواحد، أو خرطوشة H2 الخاصة بالطابعة متعددة المدرج.

تنظيف رأس الطباعة

نظف رأس الطباعة في كل مرة تُغير فيها شريط الحبر، أو إذا لاحظت أي مشكلات في جودة الطباعة.

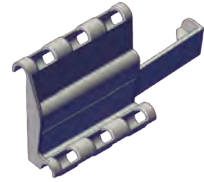
استخدم العناصر التالية لتنظيف رأس الطباعة.



مسحة تنظيف



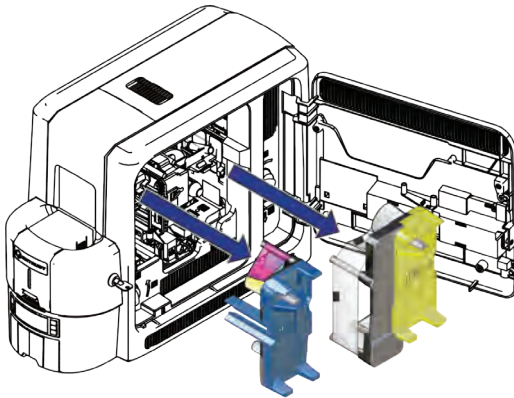
عصا اللف



دعم عصا اللف

1. أوقف تشغيل الطباعة وافتحها.
2. افتح باب الوصول للطابعة وأزل خرطوشة فيلم إعادة النقل (C2) وشريط الحبر (C1).

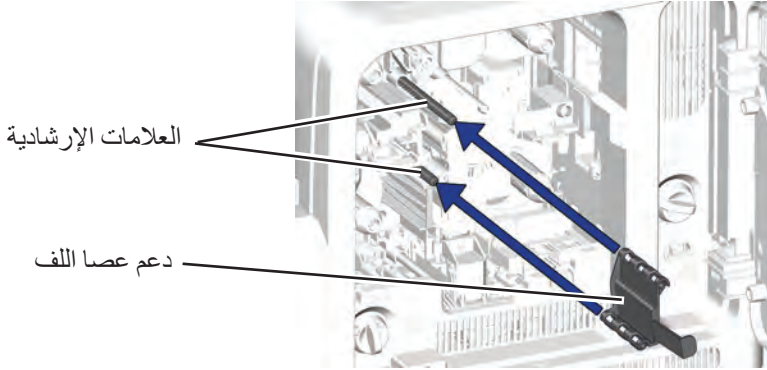
ع



تنظيف رأس الطباعة (تابع)

ب أدخل دعم عصا اللف في الطباعة. تُركب أداة الدعم فوق العلامات الإرشادية للخرطوشة وتنزلق داخل الطباعة.

ب



ج نظّف رأس الطباعة باستخدام عصا اللف.

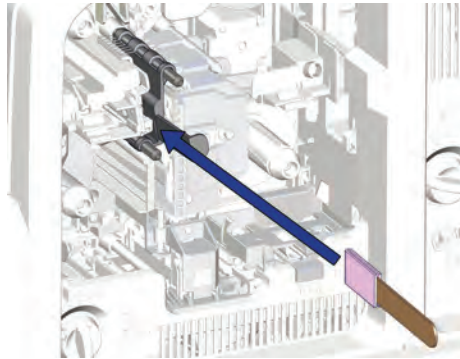
ج



لا تزل ورق اللف الوردي من عصا اللف.

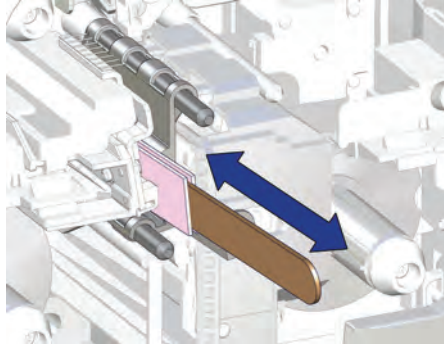


1. أدخل عصا اللف في الجزء السفلي من أداة الدعم. أدخله بأكمله إلى آخره.



تنظيف رأس الطباعة (تابع)

2. حرك عصا اللف للخلف وللأمام 3 مرات لتنظيف رأس الطباعة.



3. أزل عصا اللف من أداة الدعم.

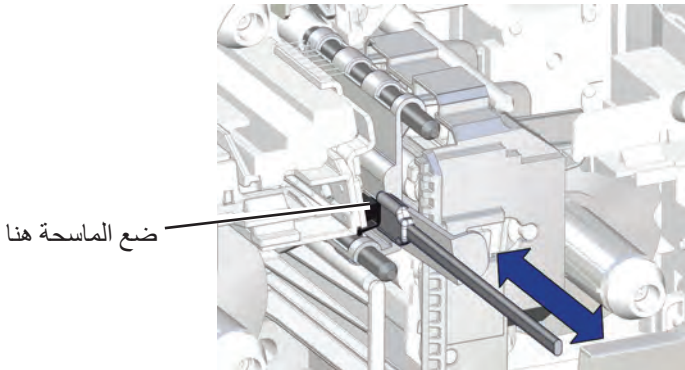
يمكنك استخدام عصا اللف مرتين، بحيث تُنظف كل جانب مرة واحدة. أوقف عصا اللف بعد الاستخدام الأول.



نظف رأس الطباعة باستخدام ماسحة تنظيف.



1. افتح حزمة ماسحة التنظيف.
2. أدخل ماسحة التنظيف في أداة الدعم. قم بمحاذاة الماسحة في المنتصف كما هو موضح في الرسم التوضيحي (أو نحو الجزء العلوي من مقبض أداة الدعم).



تنظيف رأس الطباعة (تابع)

3. حرك ماسحة التنظيف ذهابًا وإيابًا 3 مرات لإزالة أي مخلفات متبقية من منطقة رأس الطباعة.
4. أزل ماسحة التنظيف من أداة الدعم.

أزل أداة الدعم من الطباعة.



لا تتخلص من أداة دعم عصا اللف. احتفظ بها لاستخدامها في التنظيف في المستقبل.



1. استبدل شريط الحبر وخرطوشة فيلم إعادة النقل وأغلق باب الوصول إلى الطباعة.
2. شغل الطباعة.
3. اطبع بطاقة اختبار واحدة أو أكثر للتحقق من جودة الطباعة.



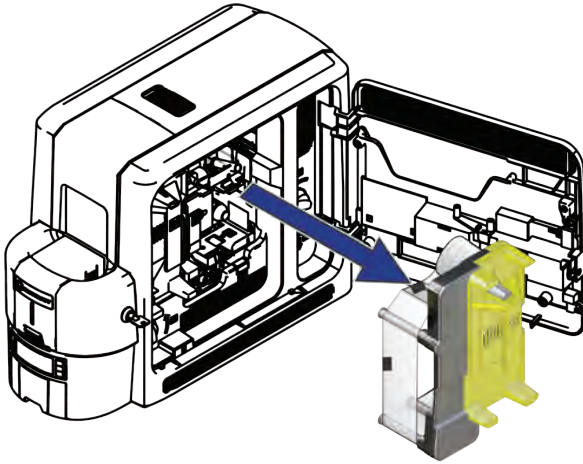
- استخدم فقط عصا اللف وماسحة التنظيف لتنظيف رأس الطباعة. يمكن التصاق مواد أخرى برأس الطباعة وتسببها في تلف.
- تخلص من عصا اللف بعد الاستخدام الثاني.
- استخدم ماسحة التنظيف مرة واحدة فقط. تخلص من الماسحة بعد تنظيف رأس الطباعة.



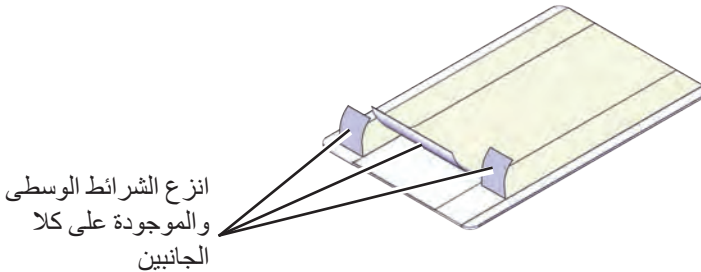
نظف بكرات كاميرا رأس الطباعة

استخدم بطاقة التنظيف اللاصقة لتنظيف بكرات كاميرا رأس الطباعة.

1. أوقف تشغيل الطباعة.
2. افتح الطباعة وافتح باب الوصول إليها.
3. استبدل خرطوشة فيلم إعادة النقل (C2) من الطباعة.



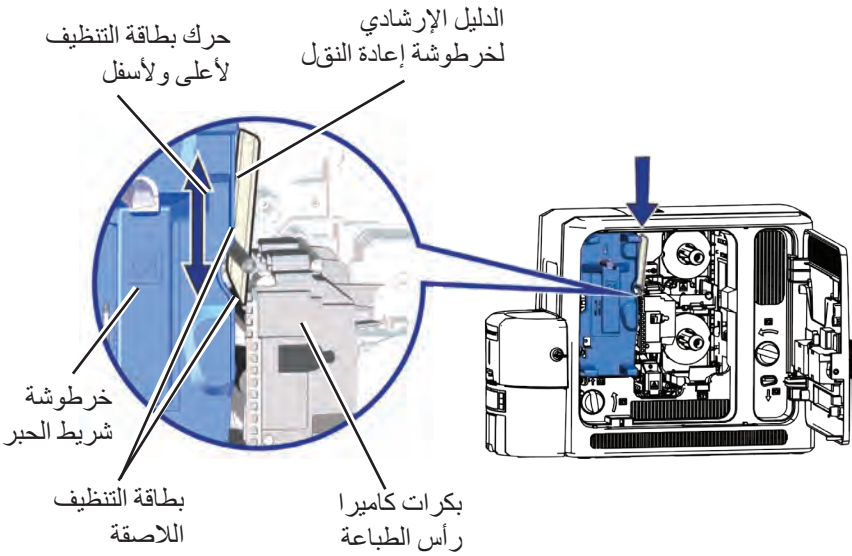
انزع الشريطين الأوسطين والجانبين من أحد جانبي بطاقة التنظيف اللاصقة.



تنظيف بكرات كاميرا رأس الطباعة (تابع)

1. أدخل بطاقة التنظيف في الطباعة بين عمود توجيه خرطوشة إعادة النقل والبكرات. تأكد من توجه الجانب اللاصق للبطاقة نحو اليمين وملامسته للبكرات.
2. حرك بطاقة التنظيف لأعلى ولأسفل على طول البكرات لإزالة المخلفات.

ج



1. استبدل خرطوشة فيلم إعادة النقل.
2. أغلق الطباعة وأقفلها.
3. أعد تشغيل الطباعة.

د

تخلص من بطاقة التنظيف المُستخدمة.

هـ

تحذير: يحتوي هذا المنتج على مواد كيميائية، بما في ذلك الرصاص، وهو معروف في ولاية كاليفورنيا بأنه يسبب السرطان، وعيوب خلقية، وغيرهما من الأضرار التناسلية.
اغسل يديك بعد الاستخدام.



تحذير: يمكن أن يعرضك هذا المنتج لمواد كيميائية، بما في ذلك ثنائي (2-إيثيل هكسيل) فثالات (DEHP)، وهو معروف في ولاية كاليفورنيا بأنه يسبب السرطان، وثنائي (2-إيثيل هكسيل) فثالات (DEHP) والبنزيل بوتيل فثالات (BBP)، وهما معروفان في ولاية كاليفورنيا بتسببهما بعيوب خلقية وغيرهما من الأضرار التناسلية. لمزيد من المعلومات، انتقل إلى www.P65Warnings.ca.gov و <https://www.entrust.com/legal-compliance/environmental-product-certifications>



ENTRUST

1187 Park Place

مينيابوليس، مينيسوتا 55379

952.933.7971 • 952.933.1223 فاكس

www.entrust.com

Entrust و Sigma والتصميم السداسي هي علامات تجارية و/أو علامات تجارية مسجلة و/أو علامات خدمة، و Datacard هي علامة تجارية مسجلة وعلامة خدمة لشركة Entrust Corporation في الولايات المتحدة وبلدان أخرى. جميع العلامات التجارية الأخرى ملك لأصحابها المعنيين.
© 2024. التصميم والمعلومات الواردة في هذه المواد محمية



ENTRUST

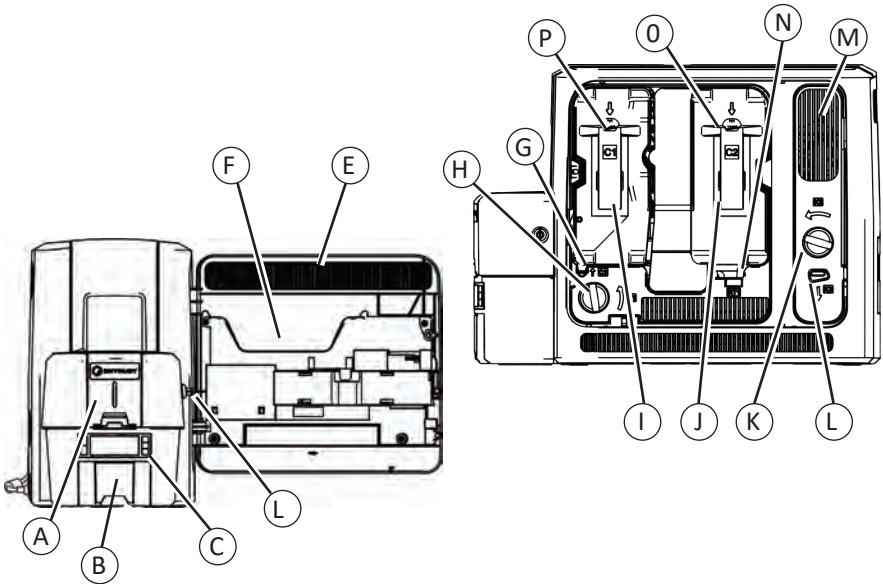
Benutzerhandbuch

Entrust Artista® RS4 Finanzsystem zur sofortigen Ausfertigung

Inhalt

Das RS4 Finanzsystem zur sofortigen Ausfertigung.....	3
Der RS4 Drucker mit optionalem Multi-Magazin:	4
Karten in einen Drucker mit nur einem Kartenmagazin einlegen.....	5
Den Ausnahmeschlitz verwenden.....	6
Karten in einen Drucker mit Multi-Magazin einlegen	7
Den Multi-Magazin-Ausnahmeschieber verwenden.....	9
Das Farbband ersetzen	10
Die Reinigungshülse ersetzen	12
Den Rückübertragungsfilm ersetzen	14
Das Ausschlussfach leeren	16
Einen Stau der horizontalen K1-Transportkarte beseitigen.....	17
Einen Stau der vertikalen K2-Transportkarte beseitigen	19
Einen Wendekartenstau beseitigen	20
Ein defektes Farbband reparieren	21
Einen defekten Rückübertragungsfilm reparieren	22
Die Stromverbindung prüfen	23
Die Datenverbindung prüfen	24
Allgemeine Meldungen auf der LCD-Anzeige.....	25
Häufige Probleme mit der Druckqualität.....	26
Reinigungszeitplan	27
Die Isopropanol-Reinigungskarte verwenden	28
Die selbstklebende Reinigungskarte verwenden	32
Den Druckkopf reinigen	36
Die Nockenwalzen des Druckkopfs reinigen	40

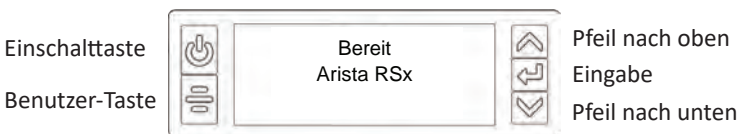
Das RS4 Finanzsystem zur sofortigen Ausfertigung



- | | | | |
|---|-------------------------------------|---|--|
| A | Eingabefach | J | Rückübertragungspatrone (C2) |
| B | Ausgabemagazin | K | Knopf für manuellen Vorschub (K2) |
| C | Vorderseite | L | Entriegelung der hinteren Zugangsklappe (K3) |
| L | Druckerverriegelung | M | Bereich für vertikalen Transport |
| E | Zugangsklappe des Druckers | N | Ausschlussfach (RT1) |
| F | Steckplatz für das Benutzerhandbuch | O | Freigabetaste für Rückübertragungsfilm-Patrone |
| G | Griff für Reinigungsspindel (C3) | P | Freigabetaste für die Farbbandpatrone |
| H | Knopf für manuellen Vorschub (K1) | | |
| I | Farbbandpatrone (C1) | | |

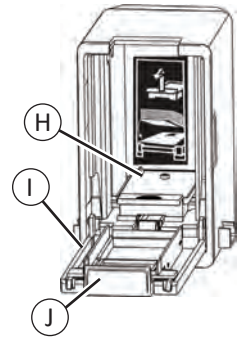
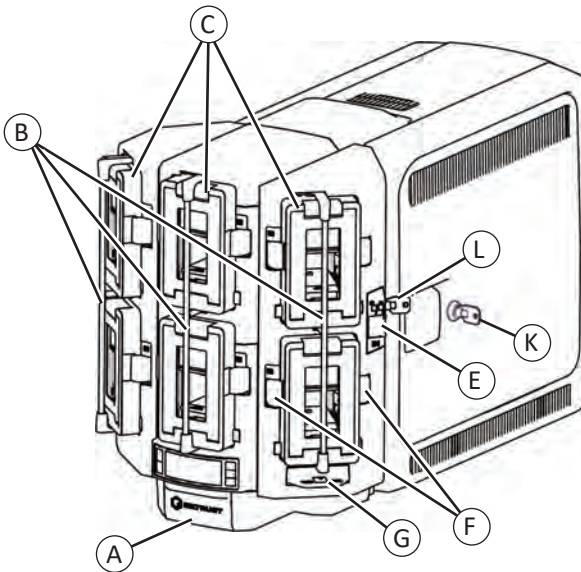
Vorderseite

LCD-Vorderseite



Artista® RS4 Finanzsystem zur sofortigen Ausfertigung

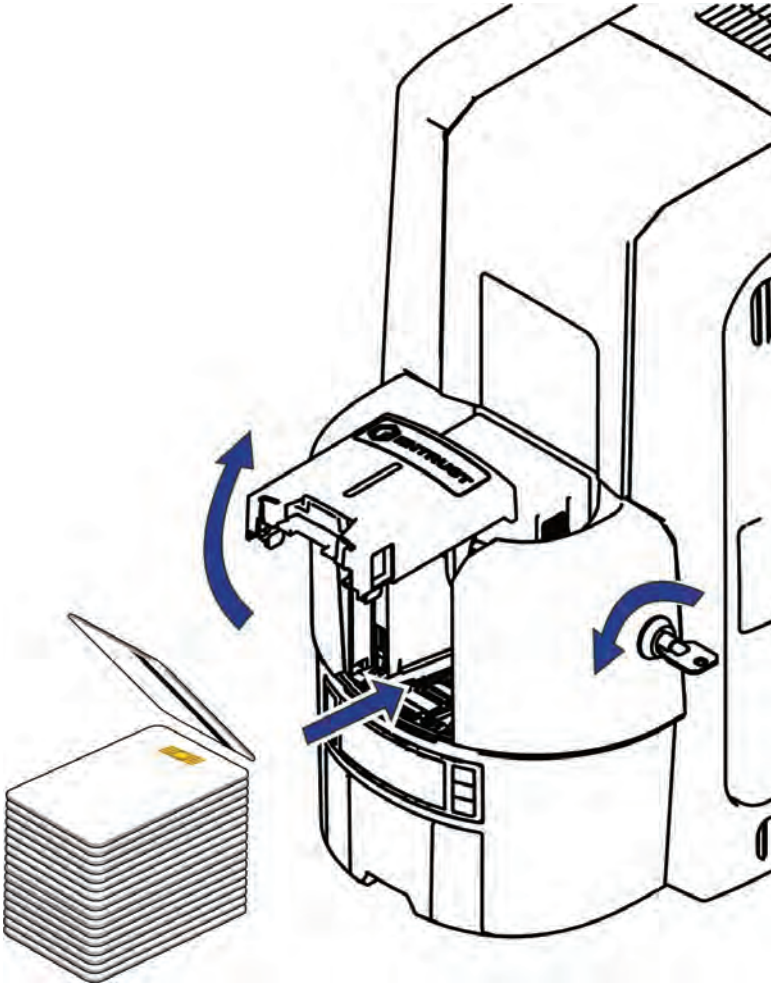
Der RS4 Drucker mit optionalem Multi-Magazin:



- A = Ausgabemagazin
- B = Magazinverriegelungsleisten
- C = Eingabemagazine 1–6
- D = Verriegelung für Multi-Magazin
- E = Freigabetaste für die Verriegelungsleiste (B1)
- F = Freigabetasten für Magazinpatrone

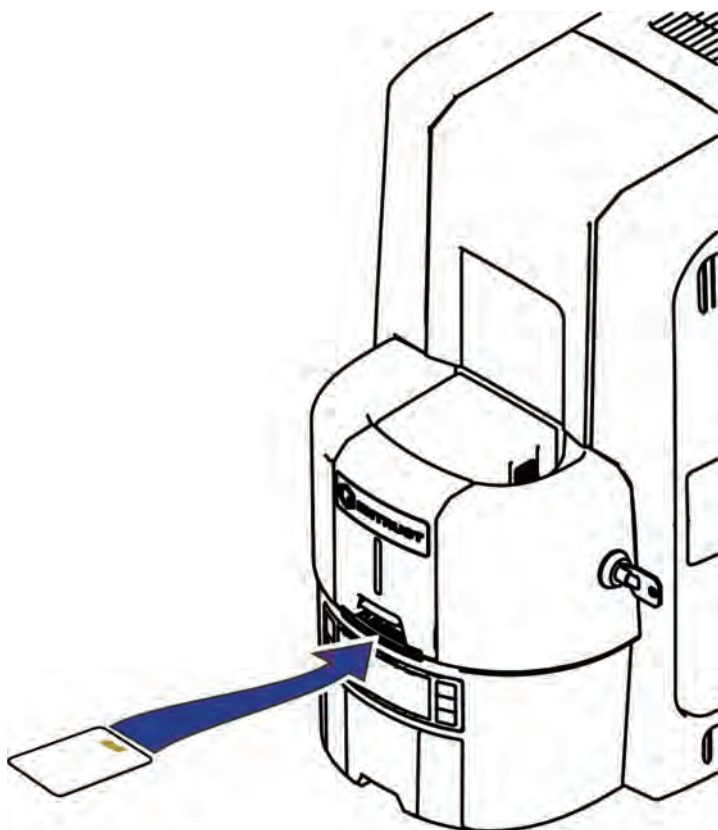
- G = Ausnahmeschieber
- H = Kartengewicht
- I = Patronenklappe
- J = Freigabetaste für die Patronenklappe
- K = Druckerverriegelung

Karten in einen Drucker mit nur einem Kartenmagazin einlegen



Artista® RS4 Finanzsystem zur sofortigen Ausfertigung

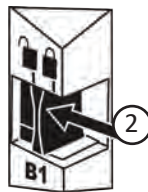
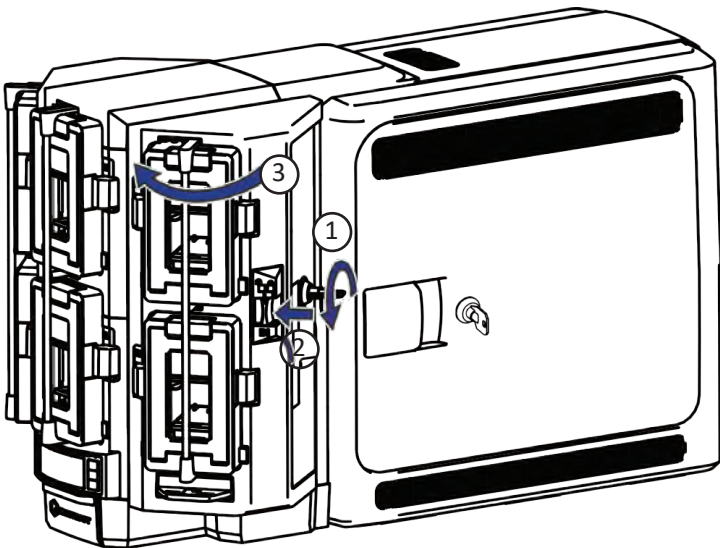
Den Ausnahmeschlitz verwenden



Karten in einen Drucker mit Multi-Magazin einlegen

a

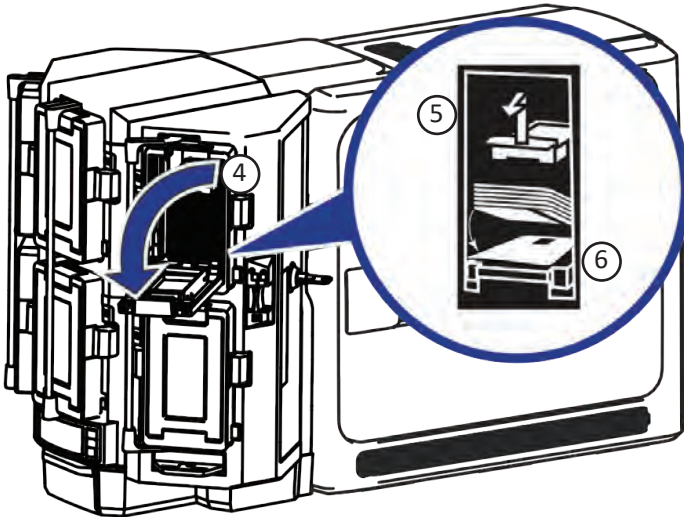
1. Entriegeln Sie das Multi-Magazin.
2. Schieben Sie die Freigabetaste (B1) der Verriegelungsleiste nach links.
3. Drehen Sie eine Verriegelungsleiste nach links.



Karten in einen Drucker mit Multi-Magazin einlegen (Forts.)

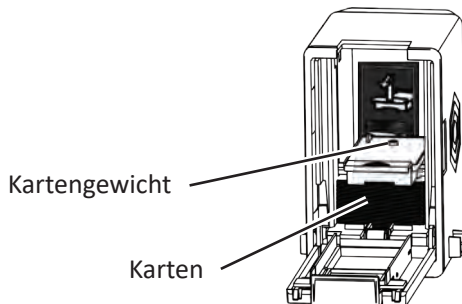
b

4. Drücken Sie die Patronenfreigabetaste an der Oberseite der Patrone und öffnen Sie die Patronenklappe.
5. Heben Sie das Kartengewicht auf die Oberseite der Patrone und ziehen Sie es nach vorn, bis es in der entsprechenden Position einrastet.
6. Legen Sie die Karten in die Magazinpatrone ein.



c

Schließen Sie die Patronenklappe, um das Kartengewicht freizugeben, so dass es oben auf den Karten aufliegt.



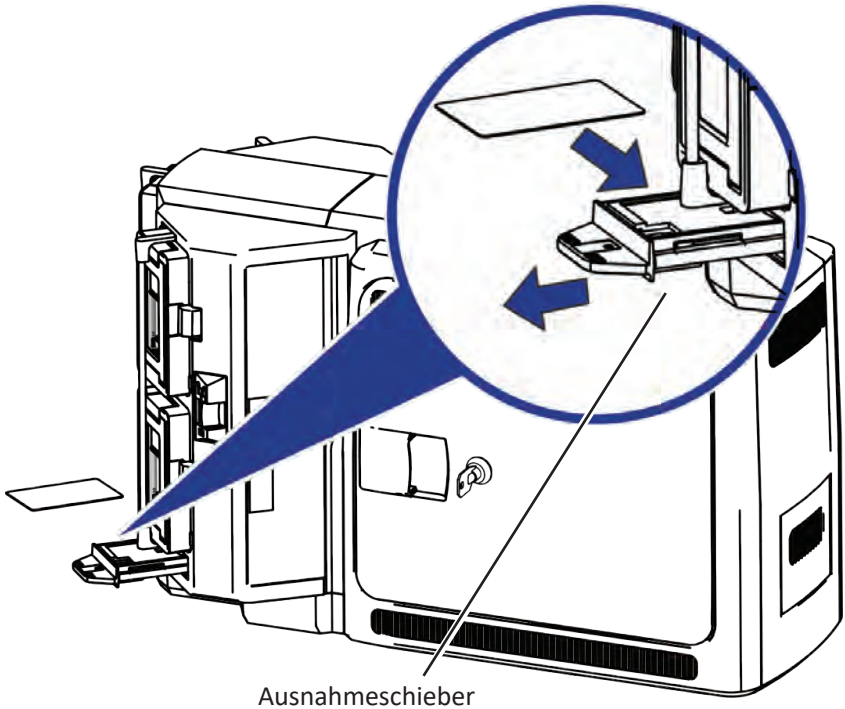
d

Wiederholen Sie den Vorgang für jede Eingabemagazinpatrone.

Bringen Sie alle Verriegelungen wieder in die geschlossene Position, sobald der Vorgang abgeschlossen ist.

Den Multi-Magazin-Ausnahmeschieber verwenden

- a** Ziehen Sie den Multi-Magazin-Ausnahmeschieber heraus und legen Sie die Karte ein.

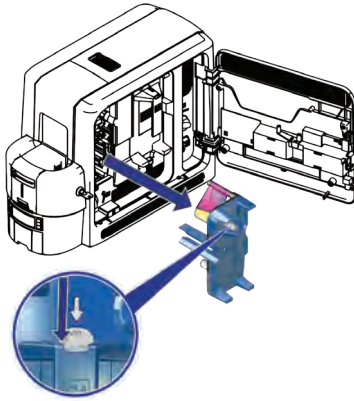


- b** Schieben Sie den Ausnahmeschieber ein.

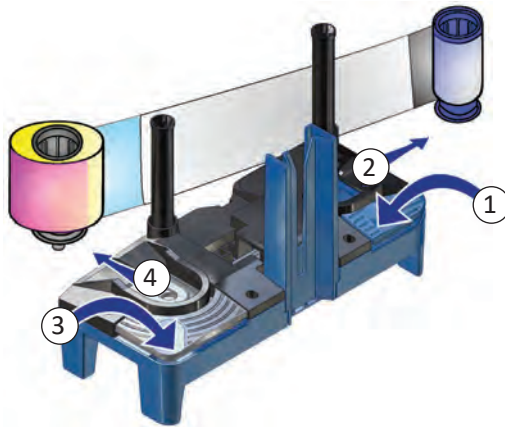
Artista® RS4 Finanzsystem zur sofortigen Ausfertigung

Das Farbband ersetzen

a



b

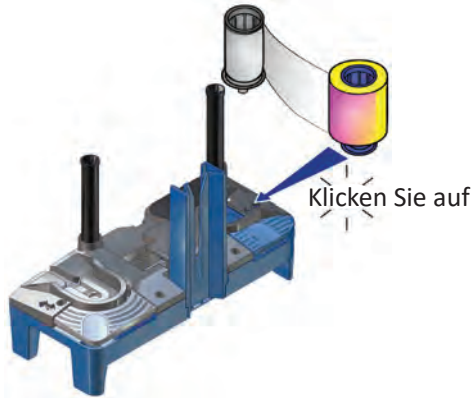


c



Das Farbband ersetzen (Forts.)

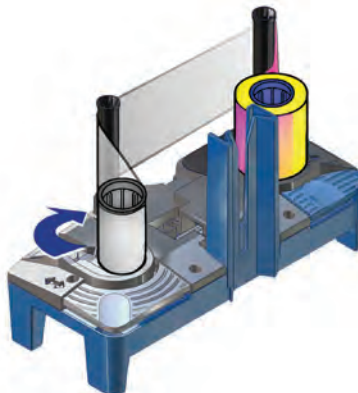
d



e



f



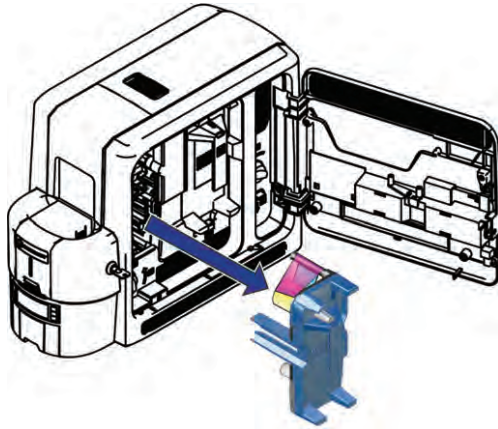
g

Ersetzen Sie die Farbbandpatrone im Drucker.

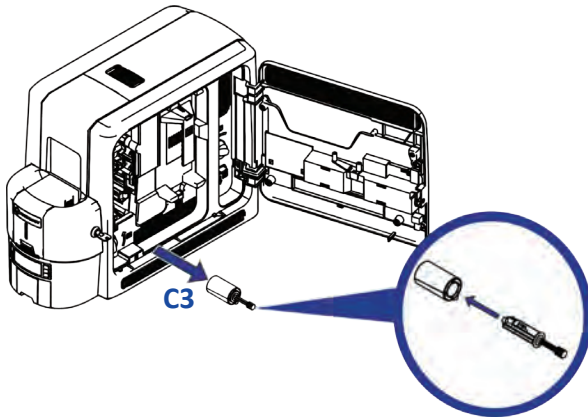
Artista® RS4 Finanzsystem zur sofortigen Ausfertigung

Die Reinigungshülse ersetzen

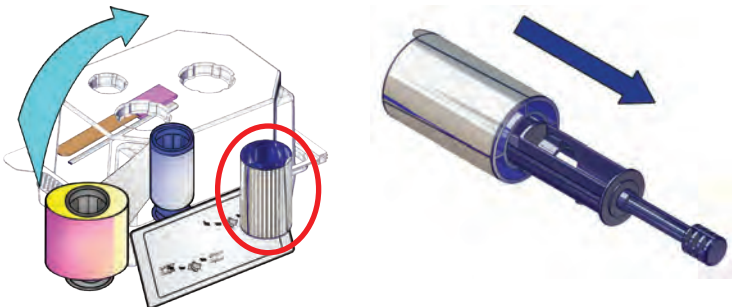
a



b



c

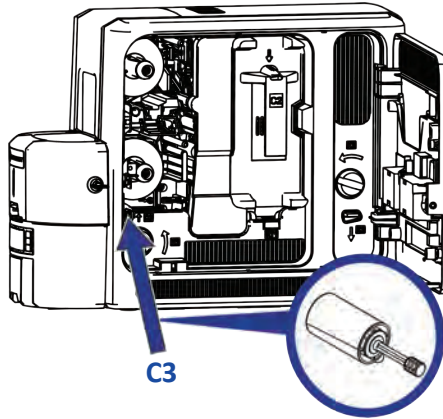


Die Reinigungshülse ersetzen (Forts.)

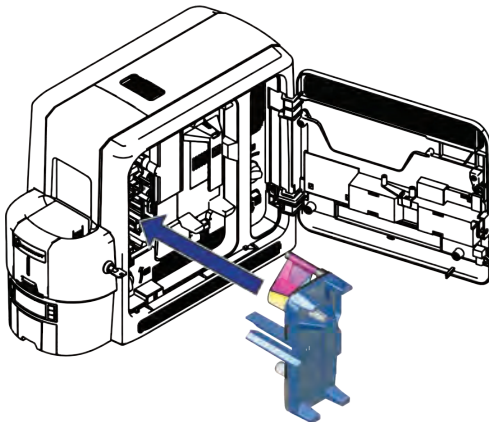
d



e

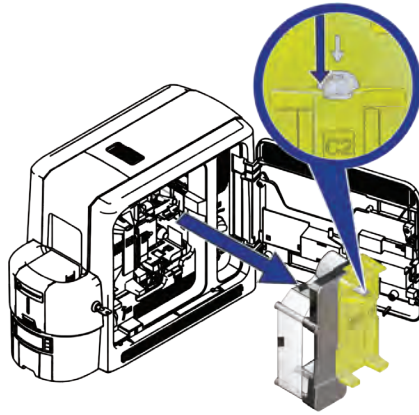


f

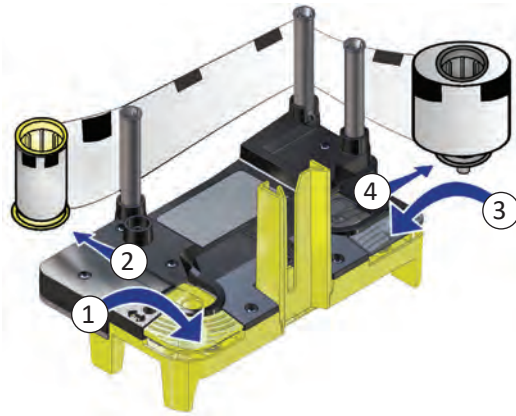


Den Rückübertragungsfilm ersetzen

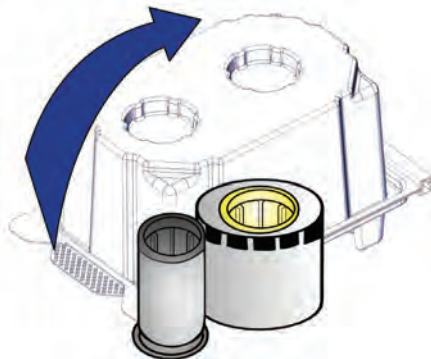
a



b



c

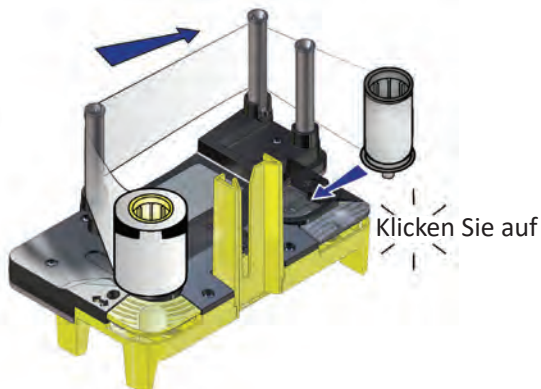


Den Rückübertragungsfilm ersetzen (Forts.)

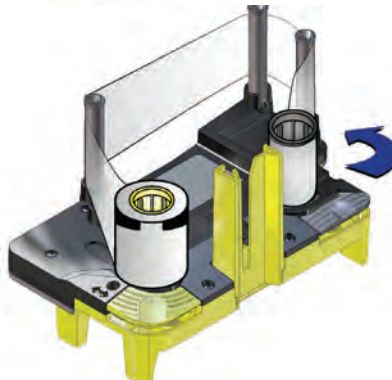
d



e



f



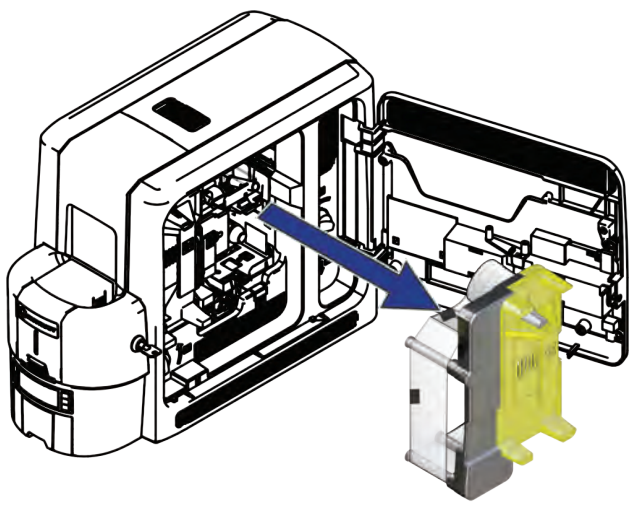
g

Ersetzen Sie die Rückübertragungsfilm-Patrone im Drucker.

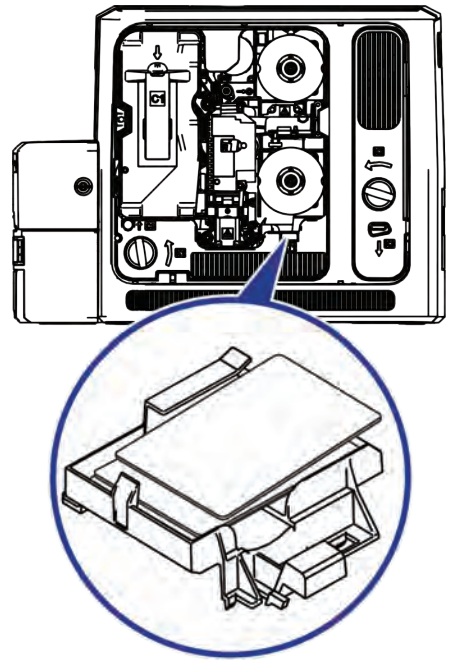
Artista® RS4 Finanzsystem zur sofortigen Ausfertigung

Das Ausschussfach leeren

a



b

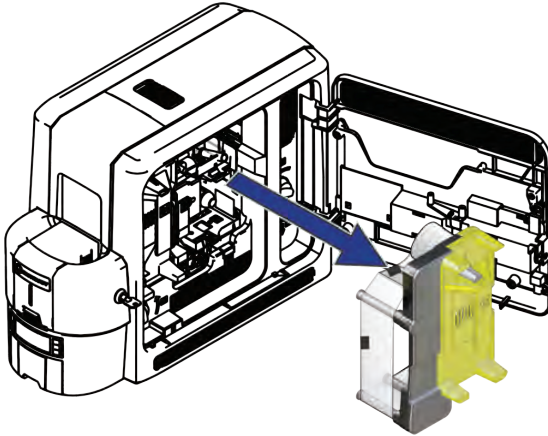


Einen Stau der horizontalen K1-Transportkarte beseitigen

Drucker mit nur einem Kartenmagazin

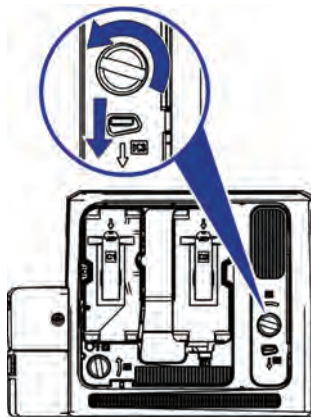
a Entriegeln Sie den Drucker und öffnen Sie die Zugangsklappe des Druckers.

Entfernen Sie die Rückübertragungsfilm-Patrone.



b Drehen Sie den K1-Knopf für manuellen Vorschub gegen den Uhrzeigersinn, um die eingeklemmte Karte in das Ausgabemagazin zu bewegen.

Entnehmen Sie die Karte durch das Ausgabemagazin.

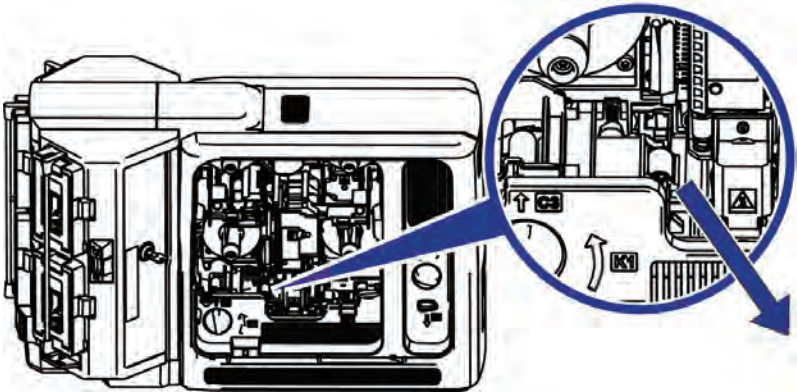


c Ersetzen Sie die Rückübertragungsfilm-Patrone und schließen sowie verriegeln Sie den Drucker.

Einen Stau der horizontalen K1-Transportkarte beseitigen (Forts.) Drucker mit Multi-Magazin

a

1. Entriegeln Sie den Drucker und öffnen Sie die Zugangsklappe des Druckers.
2. Entfernen Sie die Patronen für das Farbband und für den Rückübertragungsfilm.
3. Legen Sie die Karte in den Drucker ein. Drehen Sie den K1-Knopf für manuellen Vorschub, falls erforderlich, um auf die Karte zuzugreifen.
4. Entfernen Sie die Karte aus dem Drucker.

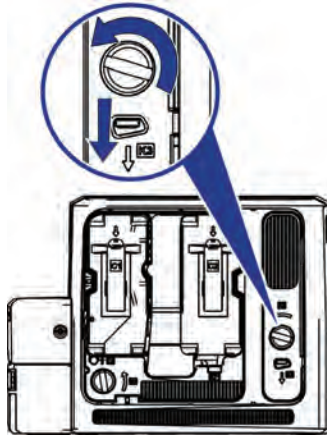


b

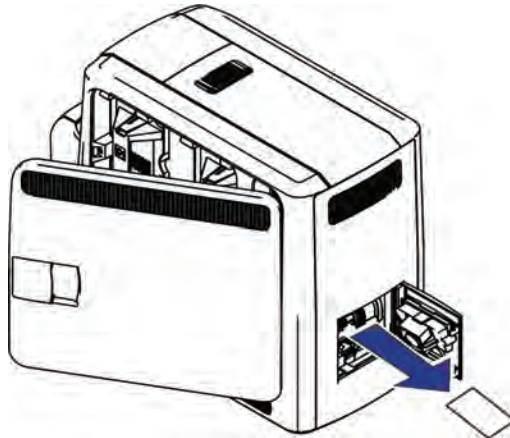
Ersetzen Sie die Patronen und schließen sowie verriegeln Sie den Drucker.

Einen Stau der vertikalen K2-Transportkarte beseitigen

- a**
1. Entriegeln Sie den Drucker und öffnen Sie die Zugangsklappe des Druckers.
 2. Drücken Sie auf die Entriegelung der hinteren Zugangsklappe K3, um die hintere Zugangsklappe zu öffnen.
 3. Drehen Sie den K2-Knopf für manuellen Vorschub gegen den Uhrzeigersinn, um die eingeklemmte Karte in den Vertikaltransport zu bewegen, bis sie durch die hintere Zugangsklappe zugänglich ist.



- b** Entfernen Sie die Karte durch die hintere Zugangsklappe.

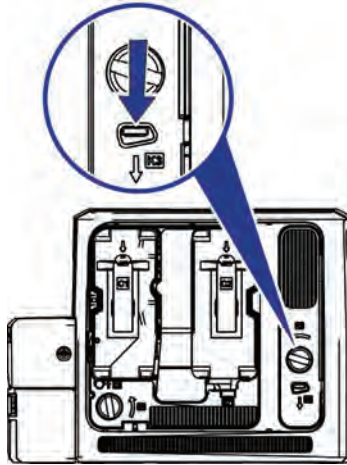


- c** Schließen Sie die Druckerklappen und verriegeln Sie den Drucker.

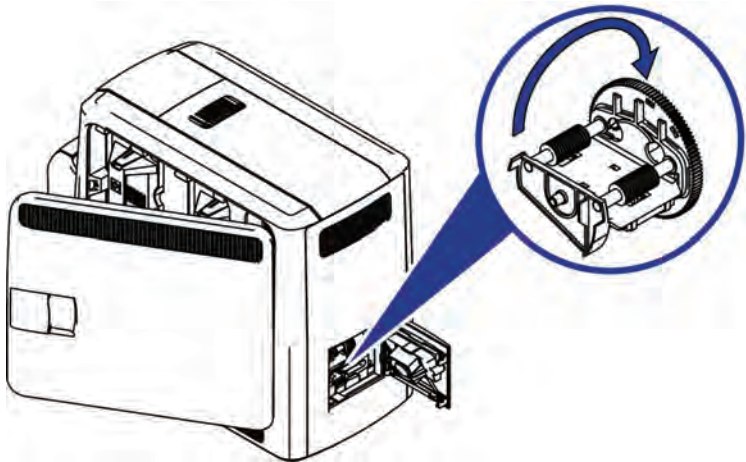
Einen Wendekartenstau beseitigen

a Entriegeln Sie den Drucker und öffnen Sie die Zugangsklappe des Druckers.

Drücken Sie auf die Entriegelung der hinteren Zugangsklappe K3, um die hintere Zugangsklappe zu öffnen.



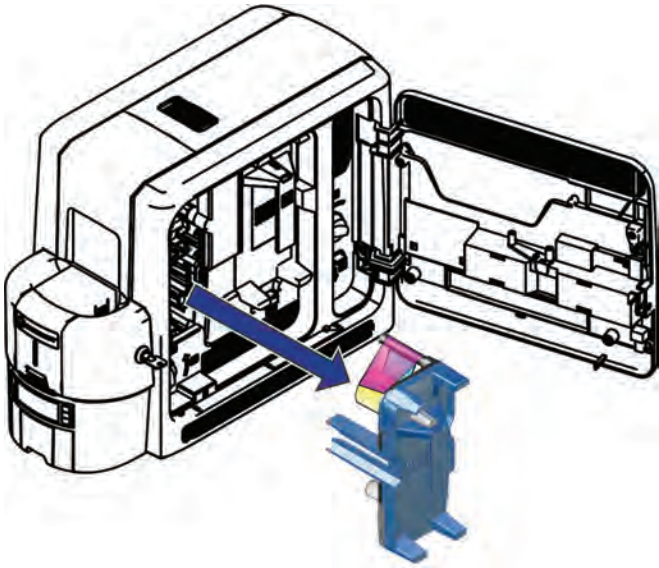
b Drehen Sie das Wendemodul, um auf die Karte zuzugreifen. Entfernen Sie die Karte durch die hintere Zugangsklappe.



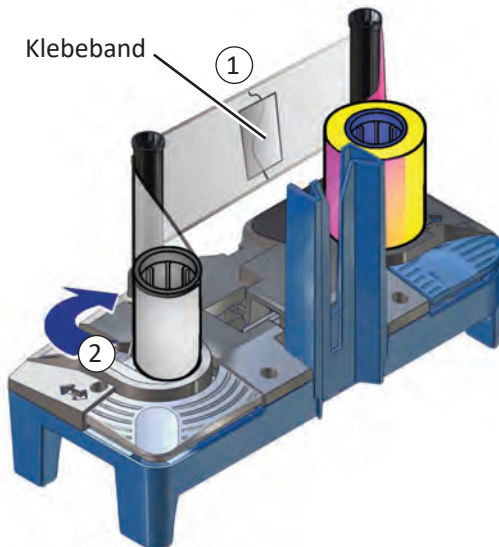
c Schließen Sie die Druckerklappen und verriegeln Sie den Drucker.

Ein defektes Farbband reparieren

a



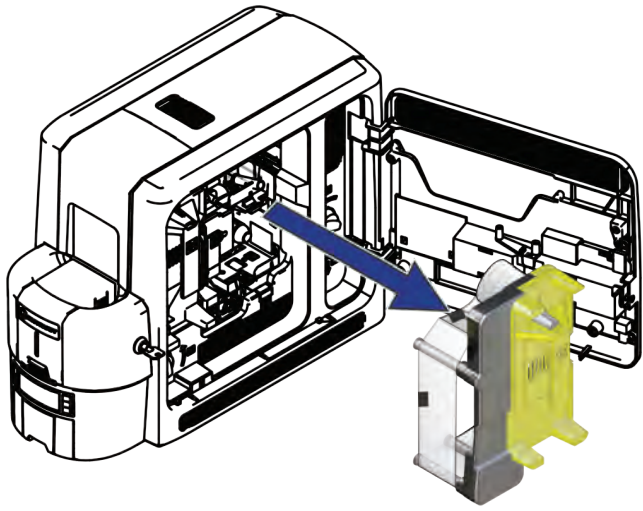
b



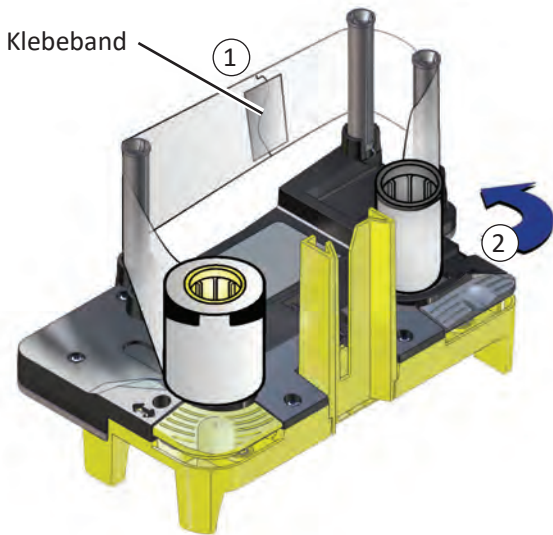
Artista® RS4 Finanzsystem zur sofortigen Ausfertigung

Einen defekten Rückübertragungsfilm reparieren

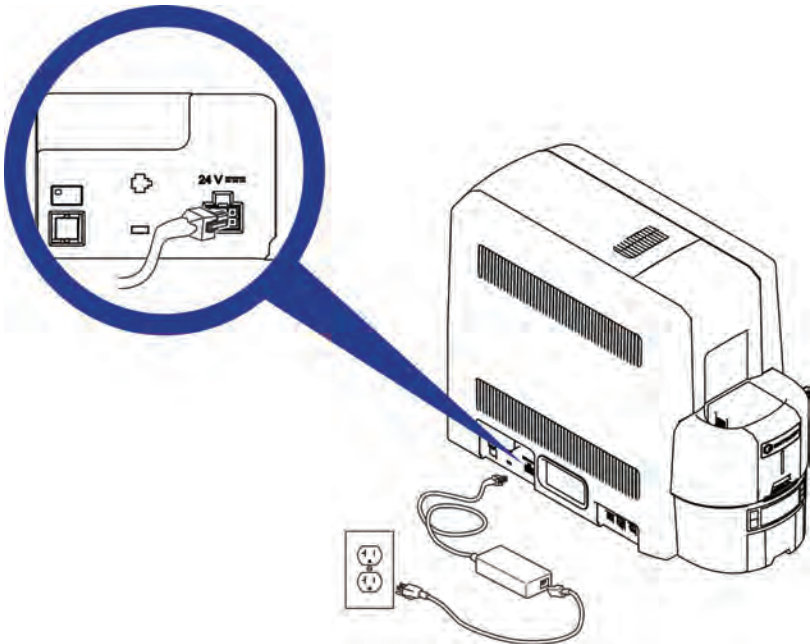
a



b

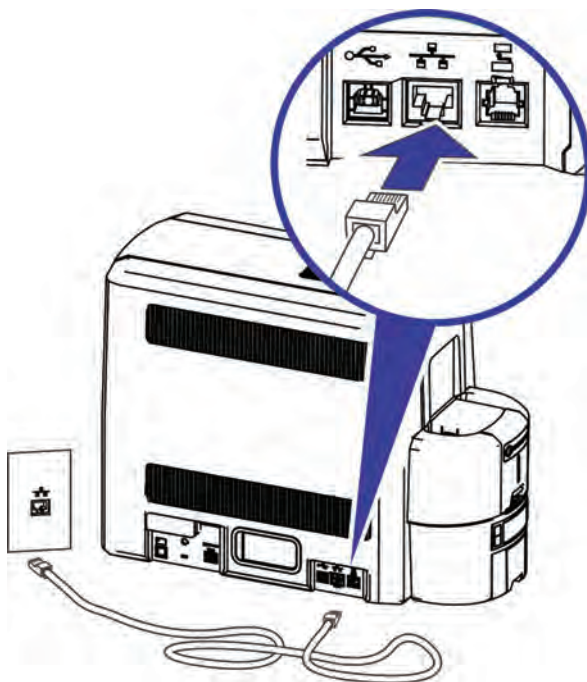


Die Stromverbindung prüfen



Artista® RS4 Finanzsystem zur sofortigen Ausfertigung

Die Datenverbindung prüfen



Allgemeine Meldungen auf der LCD-Anzeige

Fehlermeldung	Siehe:
112: Kartenmagazin leer	„Karten in einen Drucker mit nur einem Kartenmagazin einlegen“ auf Seite 5 „Den Ausnahmeschlitz verwenden“ auf Seite 6 „Karten in einen Drucker mit Multi-Magazin einlegen“ auf Seite 7 „Den Multi-Magazin-Ausnahmeschieber verwenden“ auf Seite 9
166: C2 Versorgung aus oder fehlt 167: C2-Versorgung nicht identifiziert 168: C2-Versorgung nicht unterstützt	„Den Rückübertragungsfilm ersetzen“ auf Seite 14
172: Unsachgemäßes Abschalten	„Die Stromverbindung prüfen“ auf Seite 23 „Die Datenverbindung prüfen“ auf Seite 24
175: C2-Versorgungsfehler	„Einen defekten Rückübertragungsfilm reparieren“ auf Seite 22
234: K1-Transportkarten-Stau	„Einen Stau der horizontalen K1-Transportkarte beseitigen“ auf Seite 17
235: K2-Transportkarten-Stau	„Einen Stau der vertikalen K2-Transportkarte beseitigen“ auf Seite 19
236: Wendemodul-Drehfehler	„Einen Wendekartenstau beseitigen“ auf Seite 20
237: C1 Versorgung aus oder fehlt 238: C1-Versorgung nicht identifiziert 239: C1-Versorgung nicht unterstützt	„Das Farbband ersetzen“ auf Seite 10 „Die Reinigungshülse ersetzen“ auf Seite 12
240: C1-Versorgungsfehler	„Ein defektes Farbband reparieren“ auf Seite 21
242: RT1-Ausschlussfach voll	„Das Ausschlussfach leeren“ auf Seite 16
277: Fehler bei Mehrtrichter-Picking	„Karten in einen Drucker mit Multi-Magazin einlegen“ auf Seite 7

Häufige Probleme mit der Druckqualität

Problem	Ursache	Lösung
Sich nicht wiederholende Farbpunkte auf Karten	Staub auf dem Farbband oder dem Rückübertragungsfilm	<ul style="list-style-type: none">• Verbrauchsmaterial vorschieben oder• „Das Farbband ersetzen“ auf Seite 10• „Den Rückübertragungsfilm ersetzen“ auf Seite 14
Faltenbildung auf Karten	Verbrauchsmaterialien sind faltig	<ul style="list-style-type: none">• Verbrauchsmaterial vorschieben oder• „Das Farbband ersetzen“ auf Seite 10• „Den Rückübertragungsfilm ersetzen“ auf Seite 14
Unschärfe oder farblich unstimme Bilder Kleine unbedruckte Stellen auf Karten	<ul style="list-style-type: none">• Fingerabdrücke, Verunreinigungen oder Kratzer auf Karten• Verunreinigungen im Inneren des Druckers• Der Druckkopf ist verschmutzt	<ul style="list-style-type: none">• Vergewissern Sie sich, dass die Karten sauber sind• Reinigen Sie den Drucker. Siehe „Reinigungszeitplan“ auf Seite 27• „Die Reinigungshülse ersetzen“ auf Seite 12• „Den Druckkopf reinigen“ auf Seite 36
Sich wiederholende Farbpunkte auf mehreren Karten	Staub oder Verunreinigungen auf den Nockenwalzen	„Die Nockenwalzen des Druckkopfs reinigen“ auf Seite 40
Farbige oder weiße Streifen erscheinen auf den Karten	Staub oder Verunreinigungen auf dem Druckkopf	<ul style="list-style-type: none">• Eine weitere Karte drucken, um zu sehen, ob das Problem weiterhin besteht• „Den Druckkopf reinigen“ auf Seite 36

- Weitere Informationen zur Fehlerbehebung finden Sie im *Benutzerhandbuch für das CR825- und CE875- System zur sofortigen Ausfertigung*.
- Siehe auch „Reinigungsplan“ auf Seite 27 für Empfehlungen zur optimalen Wartung des Druckers.

Reinigungszeitplan

Halten Sie sich an den empfohlenen Reinigungszeitplan, um den Drucker zu warten und die beste Druckqualität zu erzielen.

Plan	Aktion	Verfahren
Wenn Sie das Farbband wechseln	Reinigen Sie den Drucker mit der Isopropanol-Reinigungskarte.	<ul style="list-style-type: none"> • „Drucker mit nur einem Kartenmagazin“ auf Seite 28 • „Drucker mit Multi-Magazin“ auf Seite 29
	Ersetzen Sie die Reinigungshülse (C3).	„Die Reinigungshülse ersetzen“ auf Seite 12
	Reinigen Sie den Druckkopf.	„Den Druckkopf reinigen“ auf Seite 36
Wenn Sie Partikel auf fertiggestellten Karten sehen	Ersetzen Sie die Reinigungshülse (C3).	„Die Reinigungshülse ersetzen“ auf Seite 12
	Reinigen Sie den Drucker mit der selbstklebenden Reinigungskarte.	<ul style="list-style-type: none"> • „Drucker mit nur einem Kartenmagazin“ auf Seite 32 • „Drucker mit Multi-Magazin“ auf Seite 33
Wenn Sie farbige oder weiße Linien auf fertiggestellten Karten sehen	Reinigen Sie den Druckkopf.	„Den Druckkopf reinigen“ auf Seite 36
Wenn Sie sich wiederholende Farbpunkte auf fertiggestellten Karten sehen	Reinigen Sie die Nockenwalzen des Druckkopfs.	„Die Nockenwalzen des Druckkopfs reinigen“ auf Seite 40



Wenn Sie den Drucker mit der Isopropanol- oder Klebereinigungskarte reinigen, entfernen Sie die Patronen für das Farbband (C1) und für den Rückübertragungsfilm (C2) sowie die Reinigungshülse.

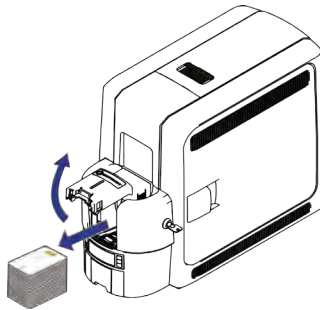
Die Isopropanol-Reinigungskarte verwenden

Verwenden Sie die Isopropanol-Reinigungskarte regelmäßig, um den Drucker zu reinigen. Siehe „Reinigungszeitplan“ auf Seite 27.

Drucker mit nur einem Kartenmagazin

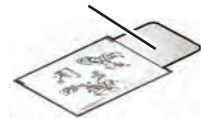
a Entriegeln Sie den Drucker und entfernen Sie die Vorratspatronen und die Reinigungshülse.

Öffnen Sie das Eingabemagazin und entfernen Sie die unbedruckten Karten. Fassen Sie die Karten an den Rändern an oder tragen Sie Handschuhe zur Kartenkontrolle.



b Öffnen Sie die Reinigungskartenverpackung und entfernen Sie die Isopropanol-Reinigungskarte.

Isopropanol-Reinigungskarte

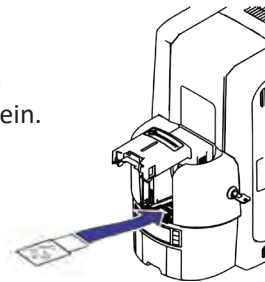


c Legen Sie die Reinigungskarte in das Eingabemagazin ein.

Wenn die Reinigungskarte verbogen erscheint, setzen Sie sie wie gezeigt ein.

Karte ohne Biegung

Karte mit Biegung



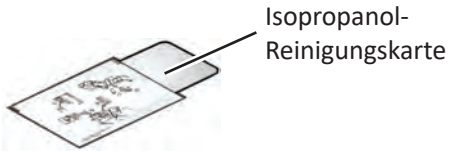
d Schließen Sie das Eingabemagazin und verriegeln Sie den Drucker. Weiter mit „Die Isopropanol-Reinigungskarte ausführen“ auf Seite 30.

Die Isopropanol-Reinigungskarte verwenden (Forts.)

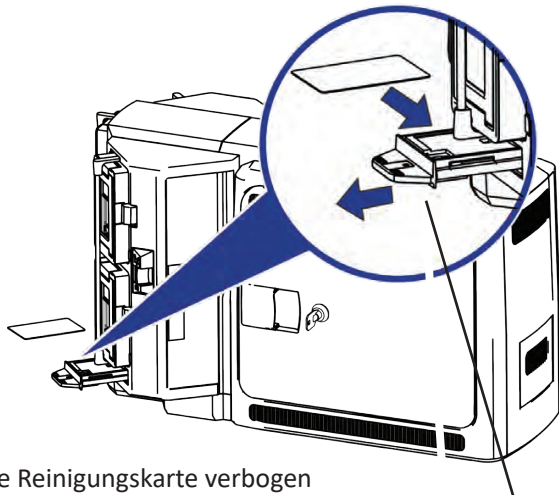
Drucker mit Multi-Magazin

a Entriegeln Sie den Drucker und entfernen Sie die Vorratspatronen und die Reinigungshülse.

b Nehmen Sie die Reinigungskarte aus ihrer Verpackung.



- c**
1. Ziehen Sie den Multi-Magazin-Ausnahmeschieber heraus und legen Sie die Reinigungskarte ein.
 2. Schieben Sie den Ausnahmeschieber ein.



Wenn die Reinigungskarte verbogen erscheint, setzen Sie sie wie gezeigt ein.

Ausnahmeschieber

Karte ohne Biegung



Karte mit Biegung

d Weiter mit „Die Isopropanol-Reinigungskarte ausführen“ auf Seite 30.

Die Isopropanol-Reinigungskarte verwenden (Forts.)

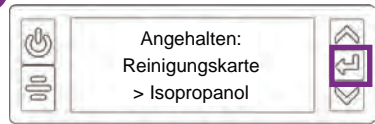
Die Isopropanol-Reinigungskarte ausführen

a Verwenden Sie die LCD-Anzeige, um die Isopropanol-Reinigungskarte auszuführen.

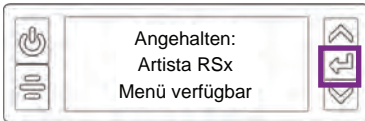
1



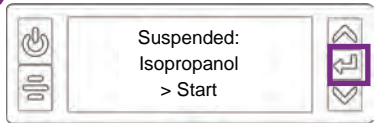
5



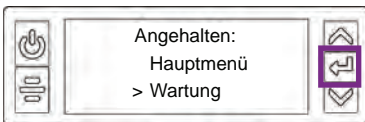
2



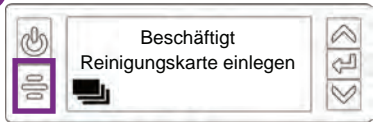
6



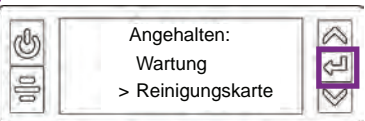
3



7



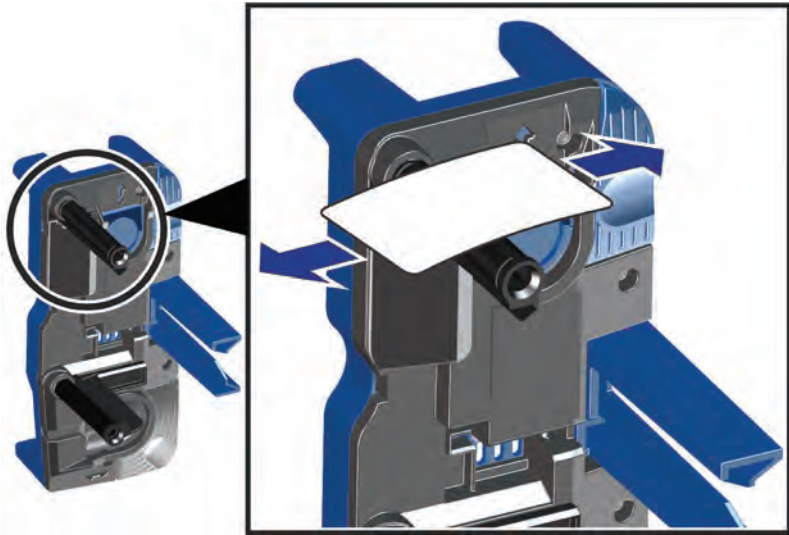
4



Die Reinigungskarte wird in das Ausschlussfach des Druckers (RT1) ausgeworfen. Holen Sie die Reinigungskarte zum Reinigen der oberen Bandführung heraus und bewahren Sie sie auf.

Die Isopropanol-Reinigungskarte verwenden (Forts.)

- b** Nachdem die Reinigungskarte zur Reinigung des Druckers verwendet wurde, verwenden Sie sie erneut, um Verunreinigungen von der oberen Bandführung auf der Farbbandpatrone abzuwischen.



- c** Ersetzen Sie die Vorratspatronen im Drucker und die Karten im Einzeleingabemagazin.

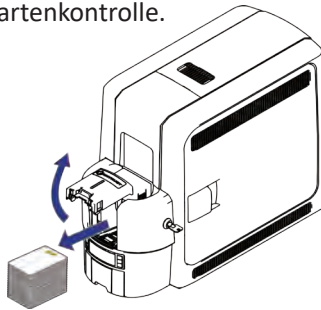
Die selbstklebende Reinigungskarte verwenden

Verwenden Sie die selbstklebende Reinigungskarte, um Partikel zu entfernen, die durch den Rückübertragungsprozess entstehen. Siehe „Reinigungszeitplan“ auf Seite 27 für Informationen dazu, wann Sie die selbstklebende Reinigungskarte verwenden sollten.

Drucker mit nur einem Kartenmagazin

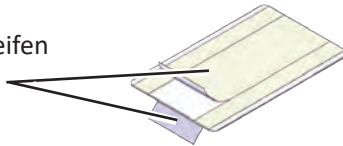
a Entriegeln Sie den Drucker und entfernen Sie die Vorratspatronen und die Reinigungshülse.

Öffnen Sie das Eingabemagazin und entfernen Sie die unbedruckten Karten. Fassen Sie die Karten an den Rändern an oder tragen Sie Handschuhe zur Kartenkontrolle.



b Ziehen Sie die Mittelstreifen auf beiden Seiten der selbstklebenden Reinigungskarte ab. Lassen Sie die Seitenstreifen an ihrem Platz.

Nur Mittelstreifen
abziehen



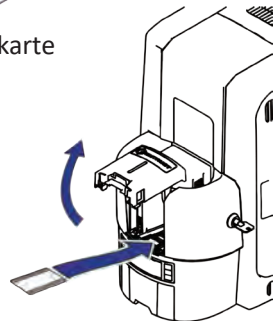
c Legen Sie die selbstklebende Reinigungskarte in das Eingabemagazin ein.

Wenn die Reinigungskarte verbogen erscheint, setzen Sie sie wie gezeigt ein.

Karte ohne Biegung



Karte mit Biegung



d Schließen Sie das Eingabemagazin und verriegeln Sie den Drucker.

Weiter mit „Die selbstklebende Reinigungskarte ausführen“ auf Seite 35.

Die selbstklebende Reinigungskarte verwenden (Forts.)

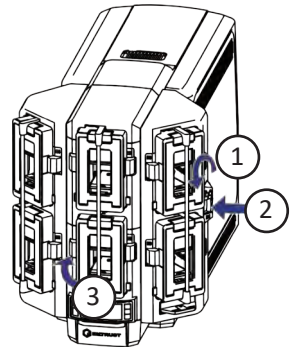
Drucker mit Multi-Magazin

a

Entriegeln Sie den Drucker und entfernen Sie die Vorratspatronen und die Reinigungshülse.

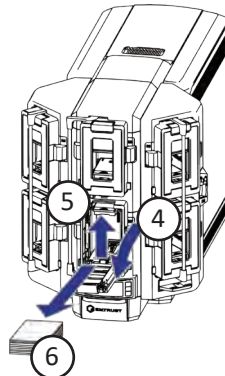
b

1. Entriegeln Sie die Klappe des Multi-Magazins.
2. Schieben Sie die Freigabetaste (B1) der Verriegelungsleiste nach links, um die Magazinverriegelungsleisten freizugeben.
3. Drehen Sie die mittlere Verriegelungsleiste nach links, um Zugang zu den H2- und H5-Multi-Magazin-Eingabepatronen zu erhalten.



c

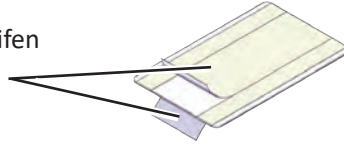
4. Drücken Sie die Patronenfreigabetaste an der Oberseite der H2-Patronen und öffnen Sie die Patronenklappe.
5. Heben Sie das Kartengewicht auf die Oberseite der Patrone und ziehen Sie es vorsichtig nach vorn, bis es in der entsprechenden Position einrastet.
6. Entfernen Sie die unbedruckten Karten aus der H2-Patrone. Fassen Sie die Karten an den Rändern an oder tragen Sie Handschuhe zur Kartenkontrolle.



Die selbstklebende Reinigungskarte verwenden (Forts.)

- d** Ziehen Sie die Mittelstreifen auf beiden Seiten der selbstklebenden Reinigungskarte ab. Lassen Sie die Seitenstreifen an ihrem Platz.

Nur Mittelstreifen
abziehen



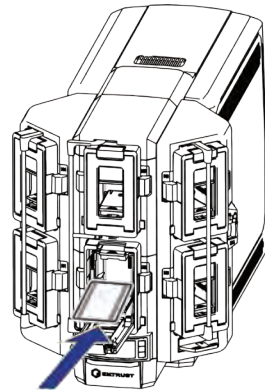
- e** Legen Sie die selbstklebende Reinigungskarte in die H2-Patrone ein und schließen Sie die Patronenklappe.

Wenn die Reinigungskarte
verbogen erscheint, setzen
Sie sie wie gezeigt ein.

Karte ohne Biegung



Karte mit Biegung



Legen Sie die selbstklebende Reinigungskarte nicht in
den Ausnahmeschieber des Multi-Magazins ein.

- f** Sperren Sie das Multi-Magazin.

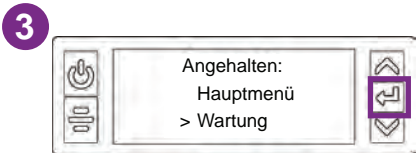
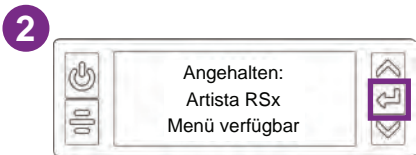
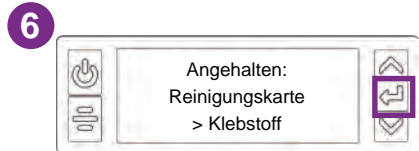
1. Drehen Sie die mittlere Verriegelungsleiste nach rechts in die Verriegelungsposition.
2. Schieben Sie die Freigabetaste der Verriegelungsleiste nach rechts, um die Verriegelungsleisten einzurasten.
3. Verriegeln Sie die Tür des Multi-Magazins.

- g** Weiter mit „Die selbstklebende Reinigungskarte ausführen“
auf Seite 35.

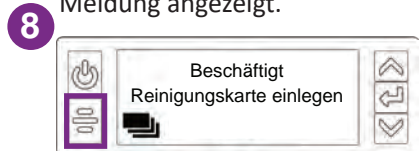
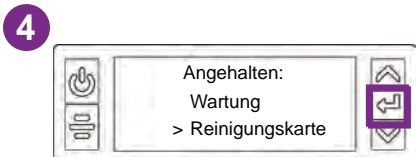
Die selbstklebende Reinigungskarte verwenden (Forts.)

Die selbstklebende Reinigungskarte ausführen

a Verwenden Sie die LCD-Anzeige, um die selbstklebende Reinigungskarte auszuführen.

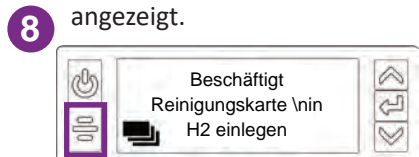
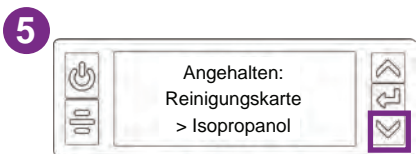


Wenn Sie einen Drucker mit nur einem Kartenmagazin reinigen, wird die nachfolgende Meldung angezeigt.



ODER

Wenn Sie einen Drucker mit Multi-Magazin reinigen, wird die nachfolgende Meldung angezeigt.



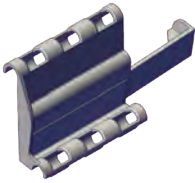
b Entfernen Sie die selbstklebende Reinigungskarte aus dem Ausschlussfach des Druckers.

c Ersetzen Sie die Vorratspatronen, setzen Sie eine neue Reinigungshülse ein und ersetzen Sie die Karten im Eingabemagazin eines Druckers mit nur einem Kartenmagazin bzw. die H2-Patrone eines Druckers mit Multi-Magazin.

Den Druckkopf reinigen

Reinigen Sie den Druckkopf jedes Mal, wenn Sie das Farbband wechseln oder wenn Sie Probleme mit der Druckqualität feststellen.

Verwenden Sie zum Reinigen des Druckkopfs die folgenden Hilfsmittel.



Läppstifthalter



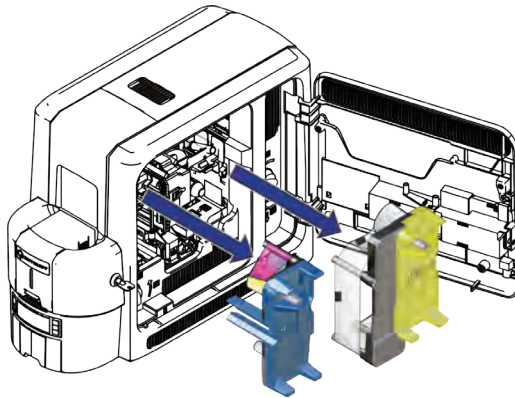
Läppstift



Reinigungstupfer

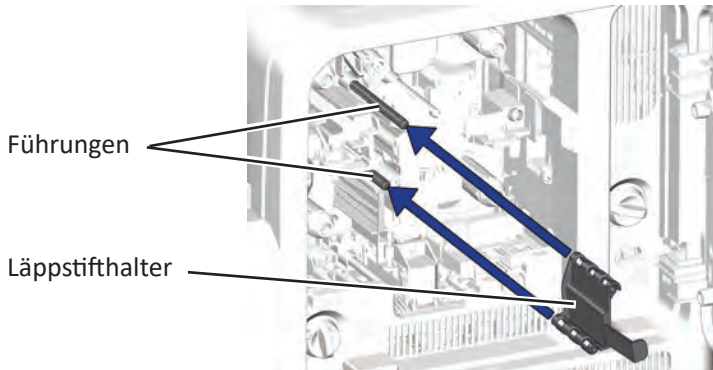
a

1. Schalten Sie den Drucker aus und entsperren Sie ihn.
2. Öffnen Sie die Zugangsklappe des Druckers und entfernen Sie die Patronen für das Farbband (C1) und für den Rückübertragungsfilm (C2).



Den Druckkopf reinigen (Forts.)

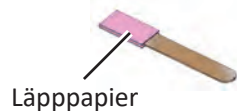
- b** Setzen Sie den Lämpstifthalter in den Drucker ein. Das Stützwerkzeug passt über die Patronenführungen und wird in den Drucker geschoben.



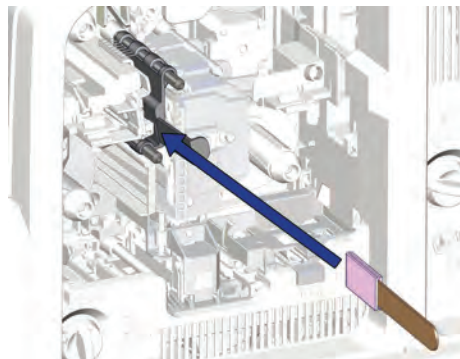
- c** Reinigen Sie den Druckkopf mit dem Lämpstift.



Entfernen Sie das rosafarbene Lämppapier nicht vom Lämpstifthalter.

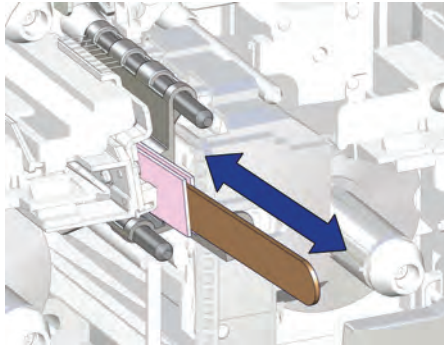


1. Führen Sie den Lämpstift in den unteren Teil des Halterwerkzeugs ein. Schieben Sie ihn bis zum Anschlag ein.



Den Druckkopf reinigen (Forts.)

2. Bewegen Sie den Lappstift 3-mal vor und zurück, um den Druckkopf zu reinigen.



3. Entfernen Sie den Lappstift aus dem Halterwerkzeug.

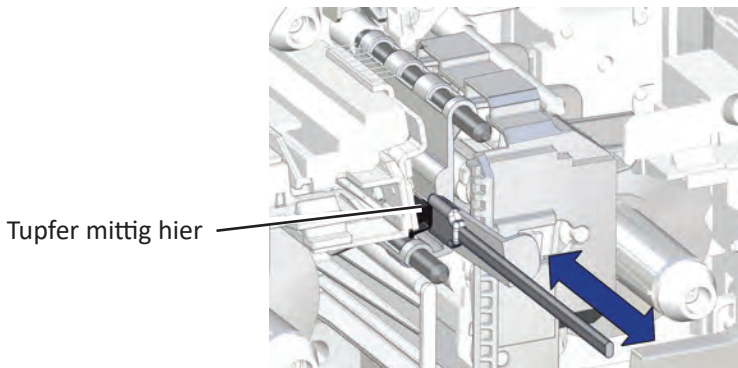


Sie können den Lappstift zweimal verwenden, für eine Reinigung pro Seite. Bewahren Sie den Lappstift nach dem ersten Gebrauch auf.

d

Reinigen Sie den Druckkopf mit dem Reinigungstupfer.

1. Öffnen Sie die Verpackung des Reinigungstupfers.
2. Führen Sie den Reinigungstupfer in das Halterwerkzeug ein. Zentrieren Sie den Tupfer wie in der Abbildung gezeigt (oder in Richtung der Oberseite des Halterwerkzeuggriffs).



Den Druckkopf reinigen (Forts.)

3. Bewegen Sie den Reinigungstupfer 3-mal vor und zurück, um alle verbleibenden Verunreinigungen aus dem Druckkopfbereich zu entfernen.
4. Entfernen Sie den Reinigungstupfer aus dem Halterwerkzeug.

e

Entfernen Sie das Halterwerkzeug aus dem Drucker.



Werfen Sie das Halterwerkzeug für den Lämpstift nicht weg. Bewahren Sie es für künftige Reinigungszwecke auf.

f

1. Ersetzen Sie die Patronen für das Farbband und für den Rückübertragungsfilm und schließen sowie verriegeln Sie die Zugangsklappe des Druckers.
2. Schalten Sie den Drucker ein.
3. Drucken Sie eine oder mehrere Testkarten, um die Druckqualität zu überprüfen.

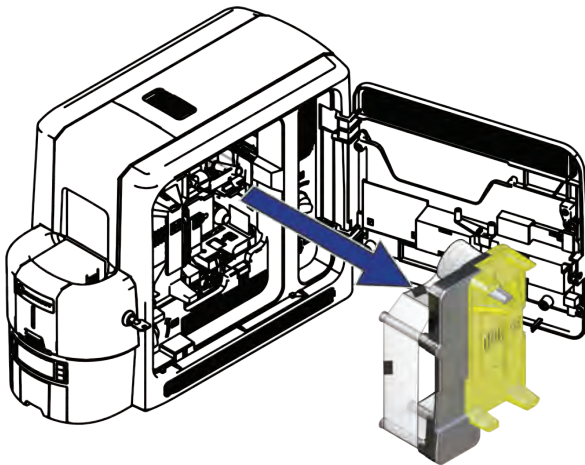


- Verwenden Sie nur den Lämpstift und den Reinigungstupfer, um den Drucker zu reinigen. Andere Materialien können am Druckkopf haften bleiben und Schäden verursachen.
- Entsorgen Sie den Lämpstift nach dem zweiten Gebrauch.
- Verwenden Sie den Reinigungstupfer nur ein einziges Mal. Entsorgen Sie den Tupfer nach der Reinigung des Druckkopfs.

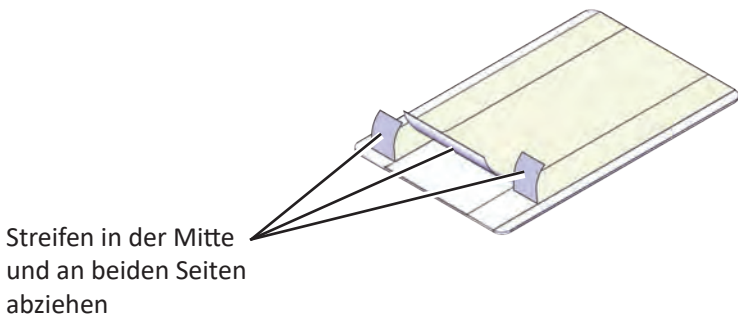
Die Nockenwalzen des Druckkopfs reinigen

Verwenden Sie die selbstklebende Reinigungskarte, um die Nockenwalzen des Druckkopfs zu reinigen.

- a**
1. Schalten Sie den Drucker aus.
 2. Entriegeln Sie den Drucker und öffnen Sie die Zugangsklappe des Druckers.
 3. Entfernen Sie die Rückübertragungsfilm-Patrone (C2) aus dem Drucker.



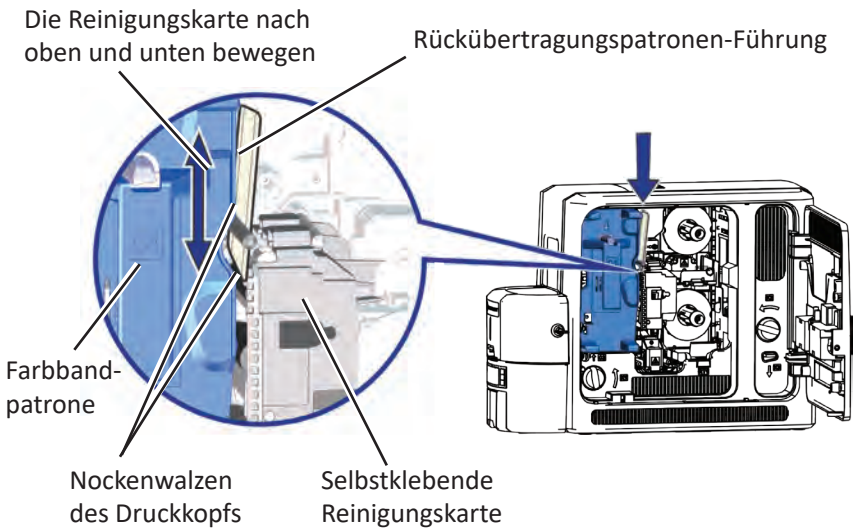
- b**
- Ziehen Sie den mittleren und beide Seitenstreifen von einer Seite der selbstklebenden Reinigungskarte ab.



Streifen in der Mitte
und an beiden Seiten
abziehen

Die Nockenwalzen des Druckkopfs reinigen (Forts.)

- C**
1. Setzen Sie die Reinigungskarte in den Drucker ein, und zwar zwischen der Führung der Rückübertragungspatrone und den Walzen. Achten Sie darauf, dass die klebende Seite der Karte nach rechts zeigt und die Walzen berührt.
 2. Bewegen Sie die Reinigungskarte entlang der Walzen auf und ab, um Verunreinigungen zu entfernen.



- d**
1. Ersetzen Sie die Rückübertragungsfilm-Patrone.
 2. Schließen und verriegeln Sie den Drucker.
 3. Starten Sie den Drucker neu.

- e** Entsorgen Sie die benutzte Reinigungskarte.

Hinweise

Hinweise

WARNUNG: Dieses Produkt enthält Chemikalien wie unter anderem Blei, die dem Bundesstaat Kalifornien als Ursache von Krebs, Geburtsfehlern und anderen die Fortpflanzung betreffenden Schädigungen bekannt sind. ***Nach Gebrauch Hände waschen.***



WARNUNG: Sie werden durch dieses Produkt möglicherweise folgenden Chemikalien ausgesetzt: Di(2-ethylhexyl)phthalat (DEHP), das dem Bundesstaat Kalifornien als krebserregend bekannt ist, sowie Di(2-ethylhexyl)phthalat (DEHP) und Butylbenzylphthalat (BBP), die dem Bundesstaat Kalifornien als Ursache für Geburtsfehler oder anderen die Fortpflanzung betreffenden Schädigungen bekannt sind. Weitere Informationen erhalten Sie unter www.P65Warnings.ca.gov und <https://www.entrust.com/legal-compliance/environmental-product-certifications>.



ENTRUST

1187 Park Place

Minneapolis, Minnesota 55379

952.933.1223 • 952.933.7971 Fax

www.entrust.com

Entrust, Sigma und das Hexagon-Design sind Marken, eingetragene Marken und/oder Dienstleistungsmarken, und Datacard ist eine eingetragene Marke und Dienstleistungsmarke der Entrust Corporation in den USA und in anderen Ländern. Alle anderen Markenzeichen sind Eigentum ihrer jeweiligen Inhaber.

© 2024. Das Design und die in diesen Materialien enthaltenen Informationen sind geschützt



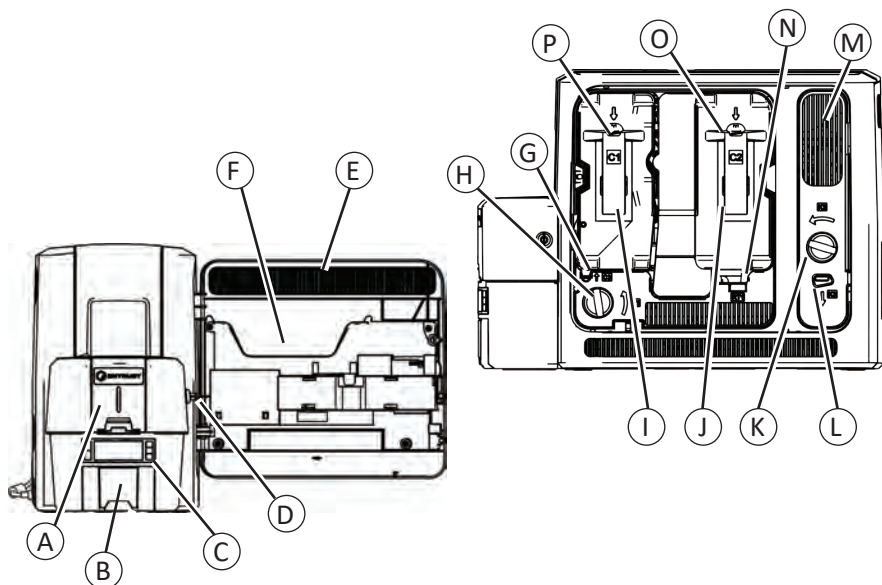
Guía de referencia del usuario

Sistema de emisión financiera instantánea Artista® RS4 de Entrust

Contenido

El sistema de emisión financiera instantánea RS4	3
Impresora RS4 con tolva múltiple opcional	4
Carga de tarjetas en una impresora de tolva única	5
Uso de la ranura de excepción	6
Carga de tarjetas en una impresora de tolva múltiple	7
Uso de la corredera de excepción de la tolva múltiple.....	9
Reemplazo de la cinta de tinta de color	10
Reemplazo de la manga de limpieza	12
Reemplazo de la película de retransferencia	14
Vaciado de la bandeja de rechazo	16
Eliminación del atasco de una tarjeta de transporte horizontal K1	17
Eliminación del atasco de una tarjeta de transporte vertical K2	19
Eliminación del atasco de una tarjeta en el volteador	20
Reparación de una cinta de tinta rota	21
Reparación de una película de retransferencia rota	22
Verificación de la conexión de energía	23
Verificación de la conexión de datos	24
Mensajes LCD comunes	25
Problemas comunes sobre la calidad de impresión	26
Programa de limpieza	27
Uso de la tarjeta de limpieza de isopropanol	28
Uso de la tarjeta de limpieza adhesiva	32
Limpieza del cabezal de impresión.....	36
Limpieza de los rodillos de leva del cabezal de impresión	40

El sistema de emisión financiera instantánea RS4



- | | | | |
|---|------------------------------------|---|---|
| A | Tolva de entrada | J | Cartucho de retransferencia (C2) |
| B | Tolva de salida | K | Perilla de avance manual (K2) |
| C | Panel frontal | L | Desbloqueo de la puerta de acceso trasera (K3) |
| D | Bloqueo de la impresora | M | Área de transporte vertical |
| E | Puerta de acceso a la impresora | N | Bandeja de devolución (RT1) |
| F | Ranura | O | Botón de desbloqueo del cartucho de película de retransferencia |
| G | Mango del husillo de limpieza (C3) | P | Botón de desbloqueo del cartucho de cinta de tinta |
| H | Perilla de avance manual (K1) | | |
| I | Cartucho de cinta de tinta (C1) | | |

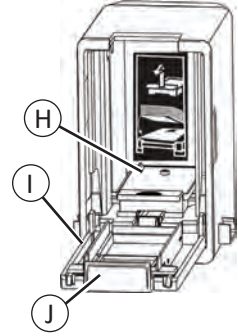
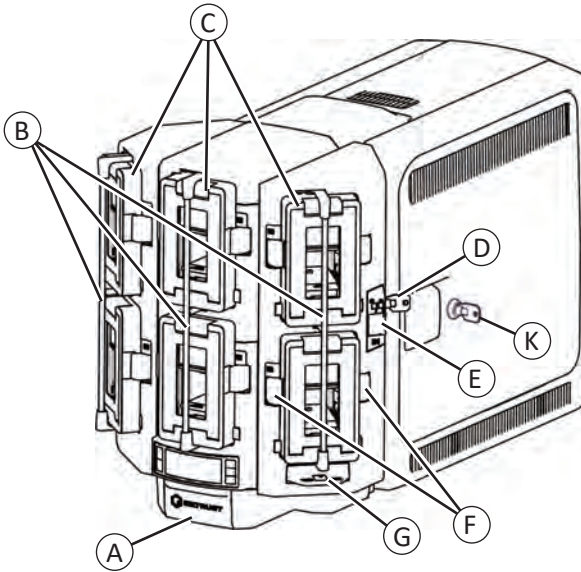
Panel frontal

Panel frontal LCD



Sistema de emisión financiera instantánea Artista RS4

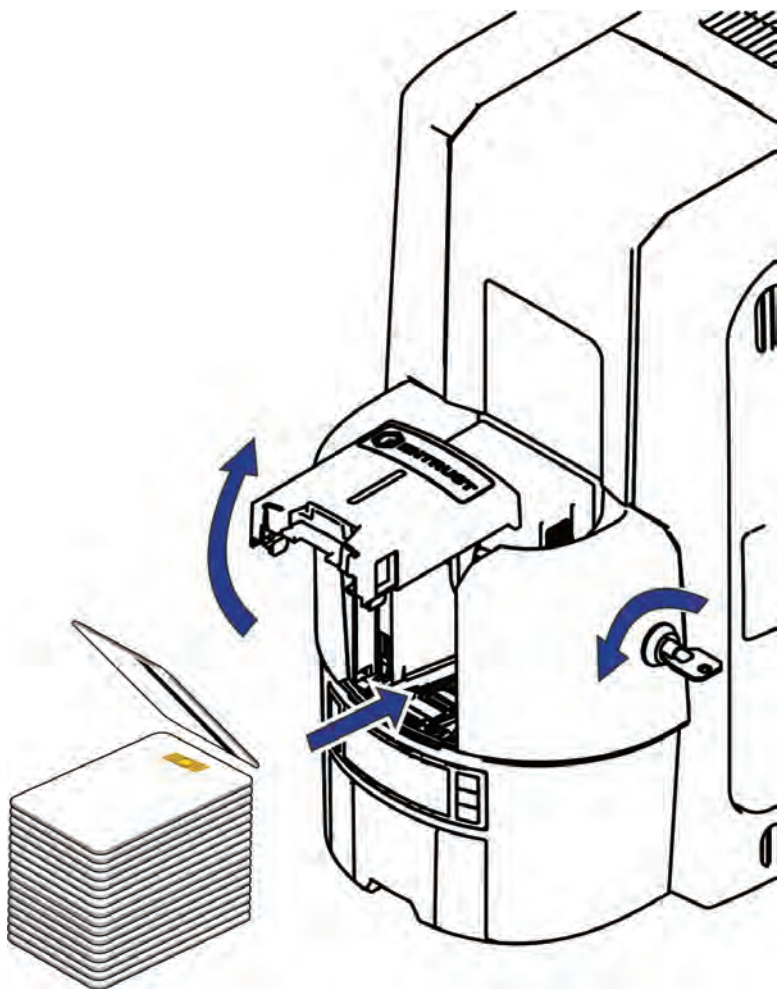
Impresora RS4 con tolva múltiple opcional



- A = Tolva de salida
- B = Barras de bloqueo de la tolva
- C = Tolvas de entrada 1-6
- D = Bloqueo de la tolva múltiple
- E = Botón de desbloqueo de la barra de bloqueo (B1)
- F = Botones de desbloqueo del cartucho de la tolva

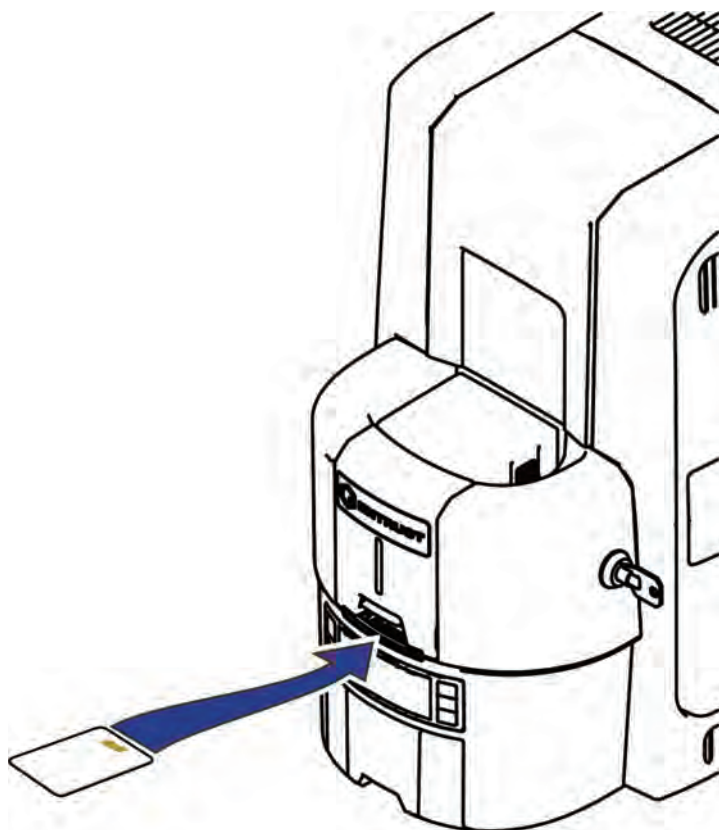
- G = Corredera de excepción
- H = Peso de la tarjeta
- I = Puerta del cartucho
- J = Botón de desbloqueo de la puerta del cartucho
- K = Bloqueo de la impresora

Carga de tarjetas en una impresora de tolva única



Sistema de emisión financiera instantánea Artista RS4

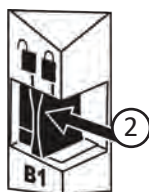
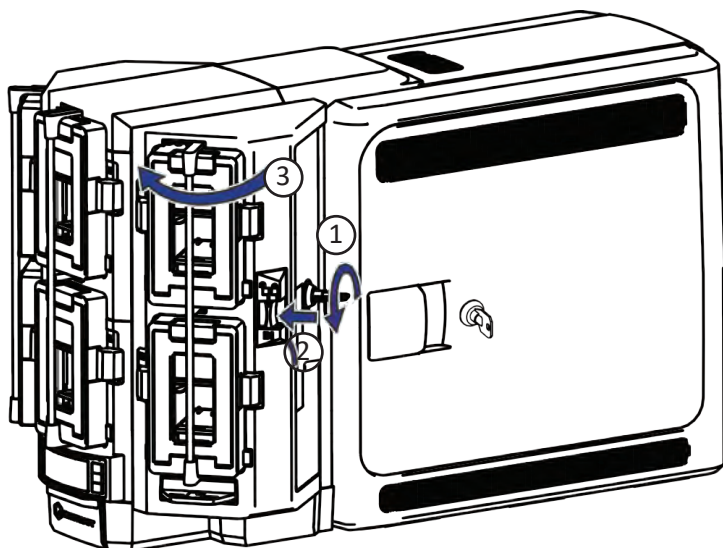
Uso de la ranura de excepción



Carga de tarjetas en una impresora de tolva múltiple

a

1. Desbloquee la tolva múltiple.
2. Deslice el botón de desbloqueo de la barra de bloqueo (B1) hacia la izquierda.
3. Gire una barra de bloqueo hacia la izquierda.

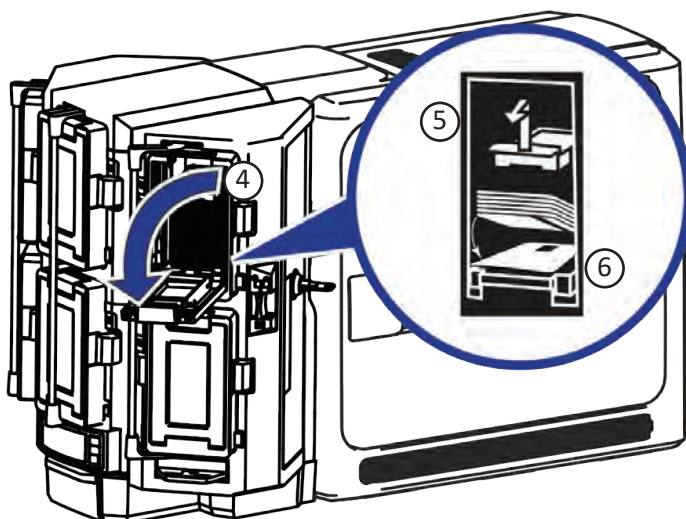


Sistema de emisión financiera instantánea Artista RS4

Carga de tarjetas en una impresora de tolva múltiple (cont.)

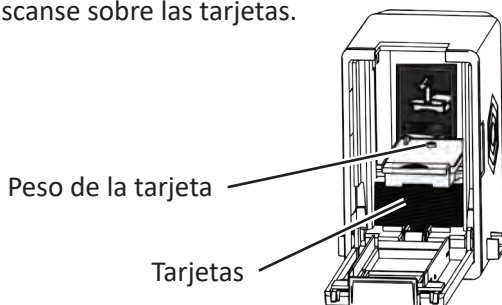
b

4. Presione el botón de desbloqueo del cartucho en la parte superior del cartucho y abra la puerta del cartucho.
5. Levante el peso de la tarjeta hasta la parte superior del cartucho y tire de este hacia delante hasta que encaje en su posición.
6. Cargue las tarjetas en el cartucho de la tolva.



c

Cierre la puerta del cartucho para liberar el peso de la tarjeta, de modo que descance sobre las tarjetas.



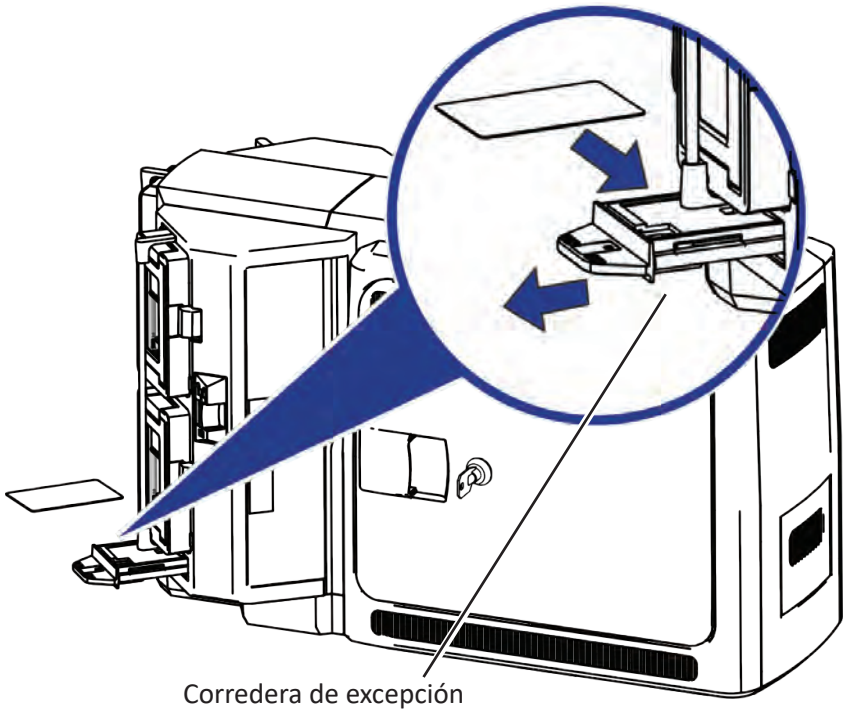
d

Repita para cada cartucho de la tolva de entrada.

Vuelva a colocar todas las cerraduras en posición bloqueada cuando haya terminado.

Uso de la corredera de excepción de la tolva múltiple

- a** Extraiga la corredera de excepción de la tolva múltiple e inserte la tarjeta.

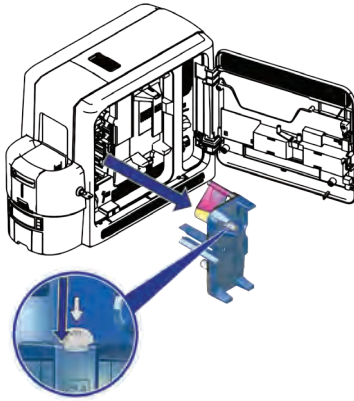


- b** Empuje la corredera de excepción.

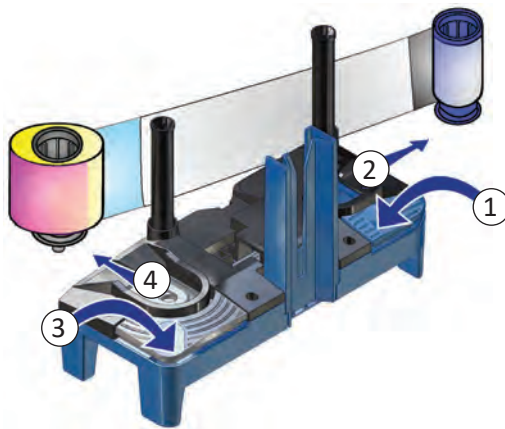
Sistema de emisión financiera instantánea Artista RS4

Reemplazo de la cinta de tinta de color

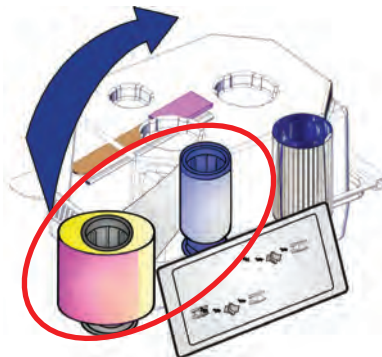
a



b



c

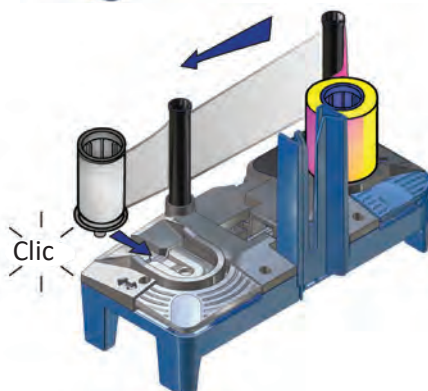


Reemplazo de la cinta de tinta de color (cont.)

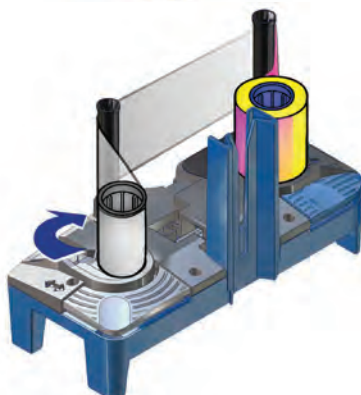
d



e



f



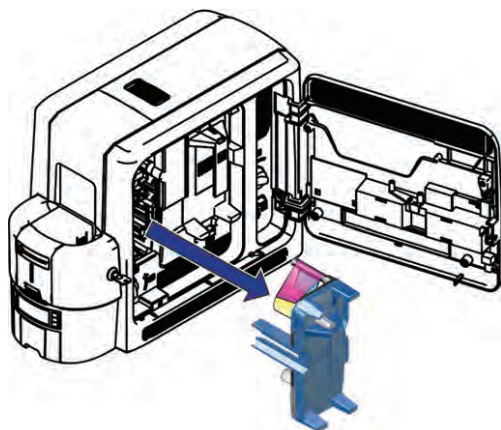
g

Reemplace el cartucho de cinta de tinta en la impresora.

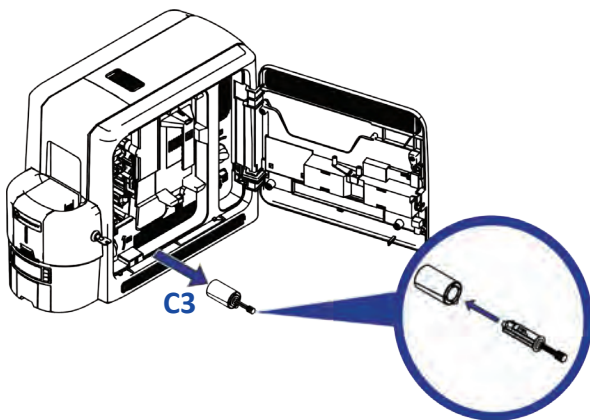
Sistema de emisión financiera instantánea Artista RS4

Reemplazo de la manga de limpieza

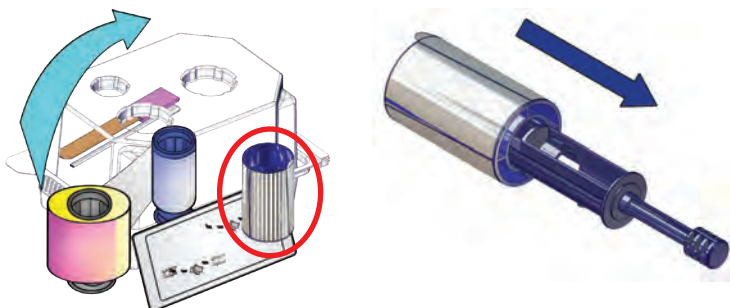
a



b



c

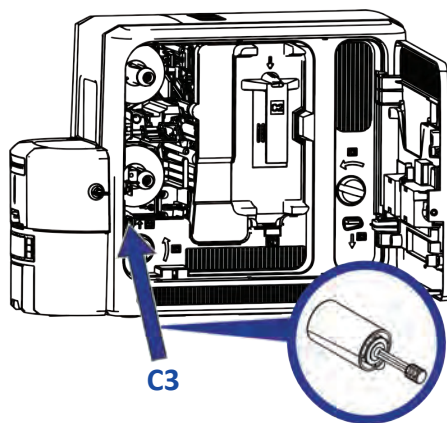


Reemplazo de la manga de limpieza (cont.)

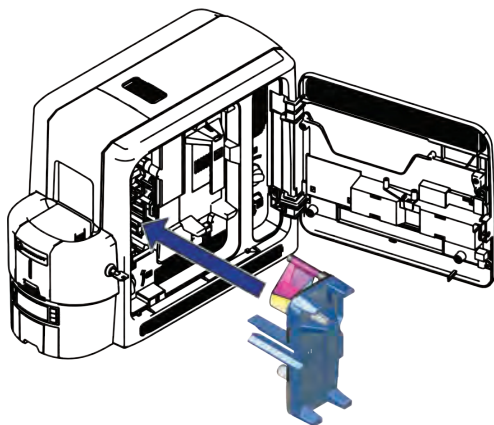
d



e



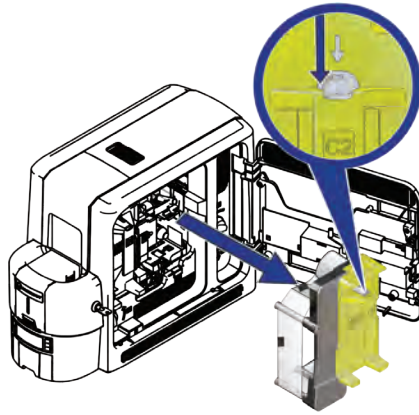
f



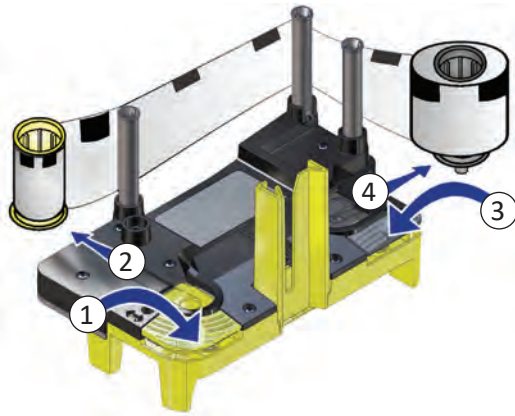
Sistema de emisión financiera instantánea Artista RS4

Reemplazo de la película de retransferencia

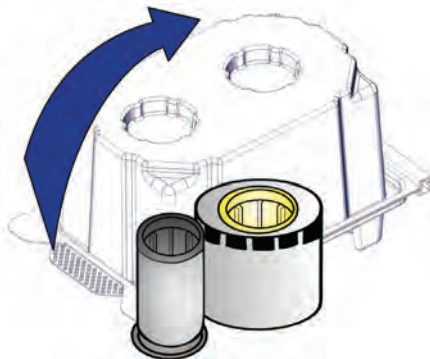
a



b

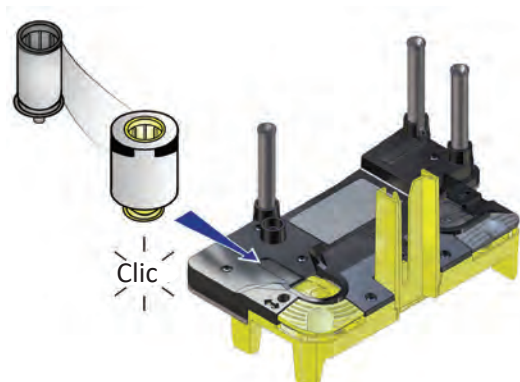


c

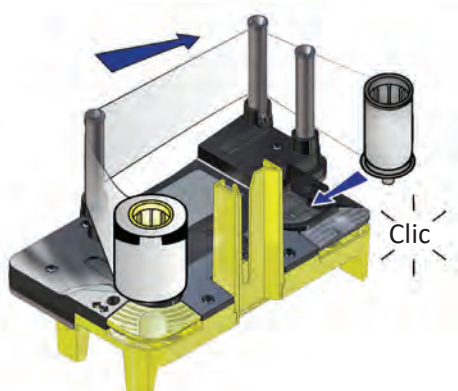


Reemplazo de la película de retransferencia (cont.)

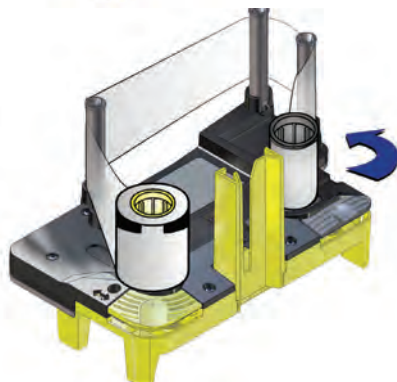
d



e



f



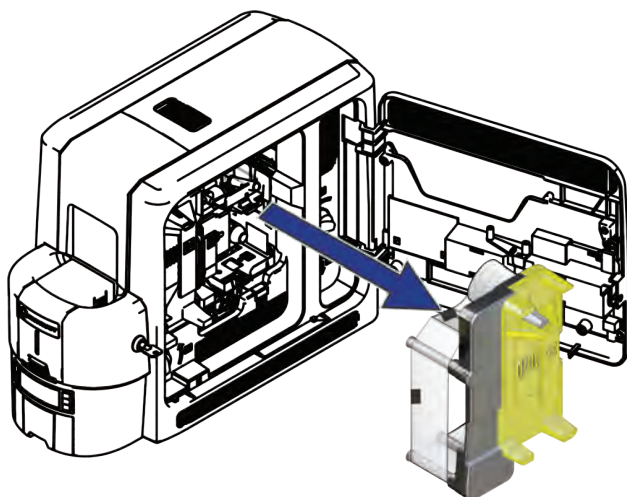
g

Reemplace el cartucho de película de retransferencia en la impresora.

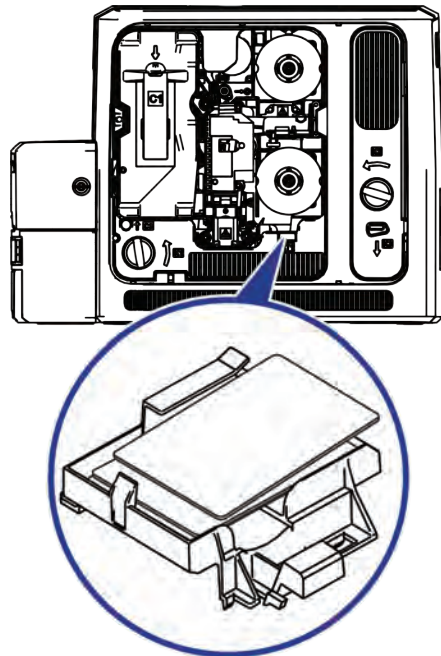
Sistema de emisión financiera instantánea Artista RS4

Vaciado de la bandeja de rechazo

a



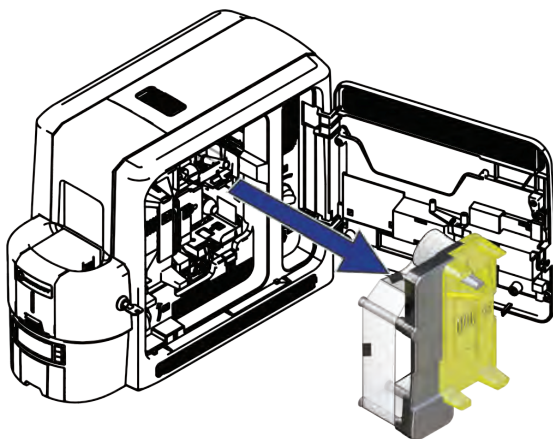
b



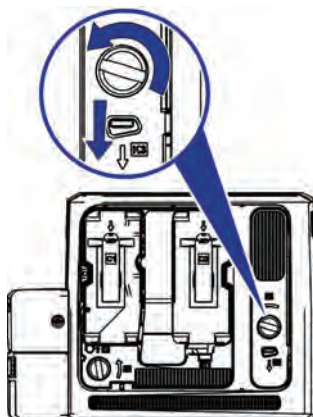
Eliminación del atasco de una tarjeta de transporte horizontal K1

Impresora de una sola tolva

- a** Desbloquee la impresora y abra la puerta de acceso. Retire el cartucho de película de retransferencia.



- b** Gire la perilla de avance manual K1 en sentido antihorario para desplazar la tarjeta atascada hacia la tolva de salida. Retire la tarjeta a través de la tolva de salida.



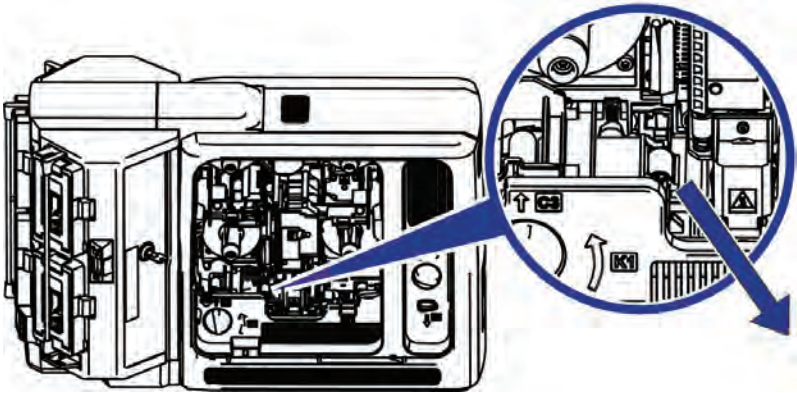
- c** Reemplace el cartucho de película de retransferencia y luego cierre y bloquee la impresora.

Sistema de emisión financiera instantánea Artista RS4

Eliminación del atasco de una tarjeta de transporte horizontal K1 (cont.)

Impresora de tolvas múltiples

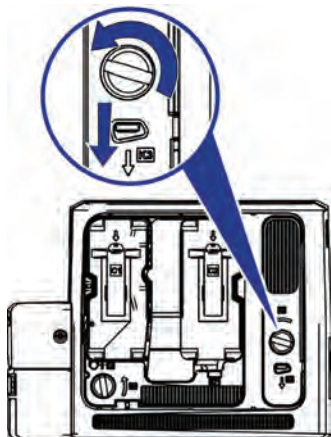
- a**
1. Desbloquee la impresora y abra la puerta de acceso.
 2. Retire la cinta de tinta y vuelva a transferir los cartuchos de película.
 3. Busque la tarjeta en la impresora. De ser necesario, gire la perilla de avance K1 manual para acceder a la tarjeta.
 4. Retire la tarjeta de la impresora.



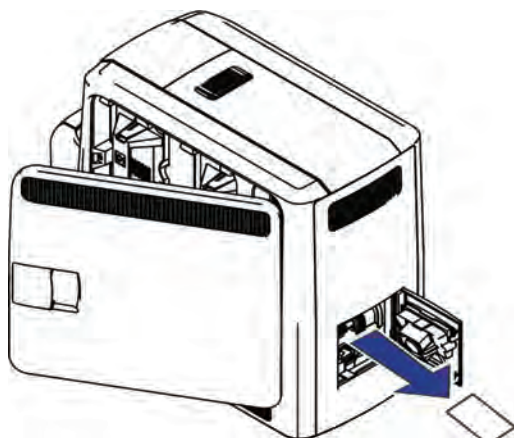
- b**
- Vuelva a colocar los cartuchos y luego cierre y bloquee la impresora.

Eliminación del atasco de una tarjeta de transporte vertical K2

- a**
1. Desbloquee la impresora y abra la puerta de acceso.
 2. Presione la opción de desbloqueo de puertas de acceso trasero K3 para abrir la puerta de acceso trasero.
 3. Gire la perilla de avance manual K2 en sentido antihorario para mover la tarjeta atascada dentro del transporte vertical hasta que sea accesible a través de la puerta de acceso trasero.



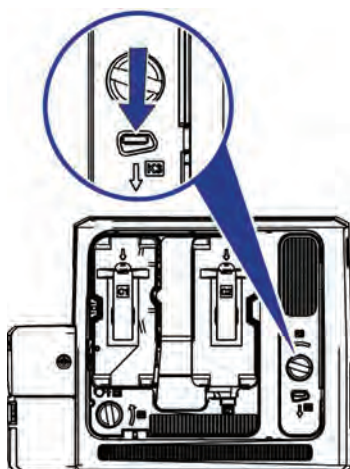
- b** Retire la tarjeta a través de la puerta de acceso trasero.



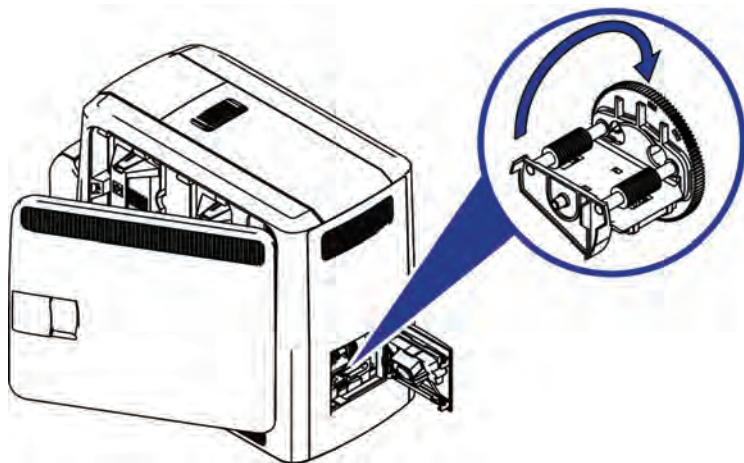
- c** Cierre las puertas de la impresora y bloquee la impresora.

Eliminación del atasco de una tarjeta en el volteador

- a** Desbloquee la impresora y abra la puerta de acceso.
Presione la opción de desbloqueo de puertas de acceso trasero K3 para abrir la puerta de acceso trasero.



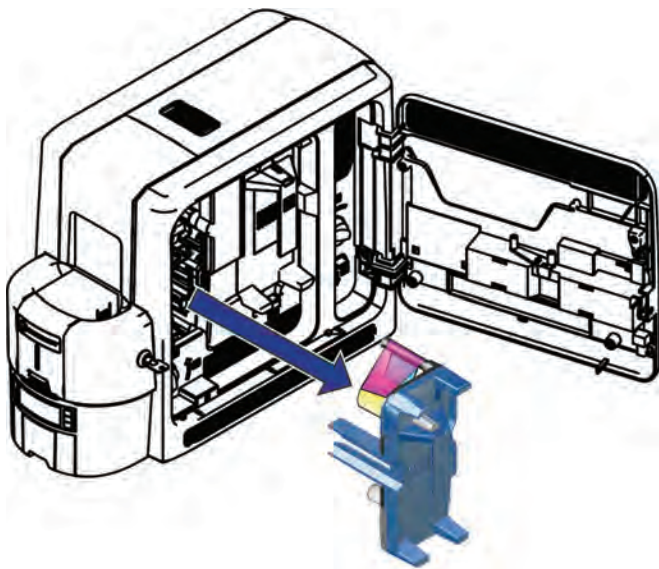
- b** Gire el módulo del volteador para acceder a la tarjeta.
Retire la tarjeta a través de la puerta de acceso trasero.



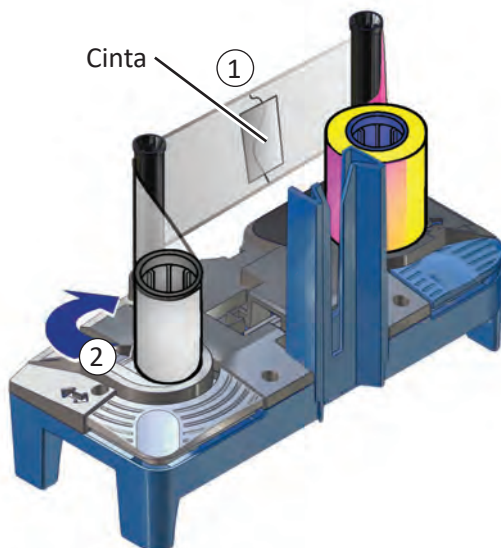
- c** Cierre las puertas de la impresora y bloquee la impresora.

Reparación de una cinta de tinta rota

a



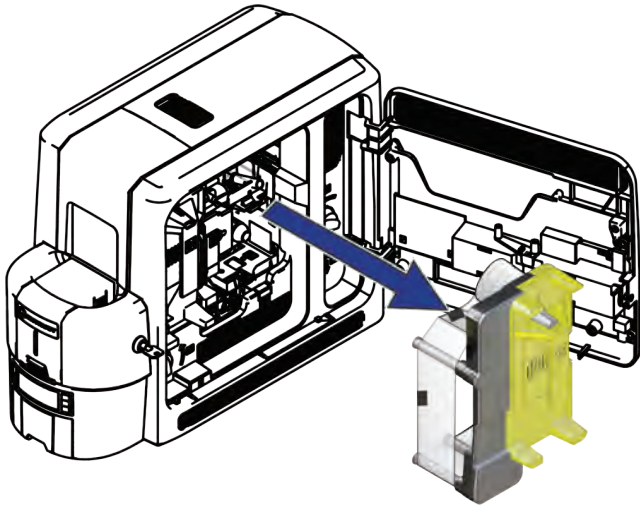
b



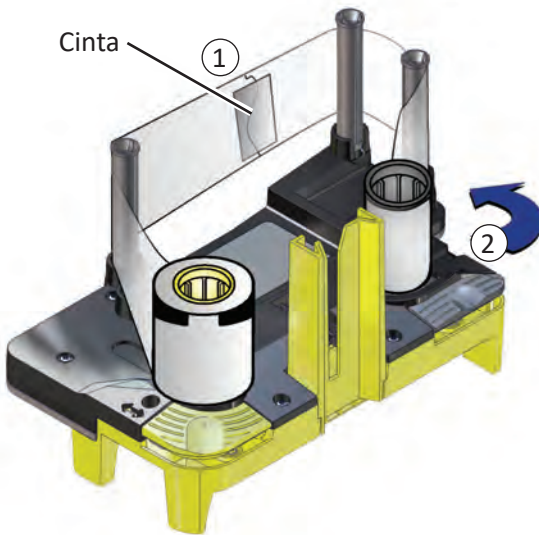
Sistema de emisión financiera instantánea Artista RS4

Reparación de una película de retransferencia rota

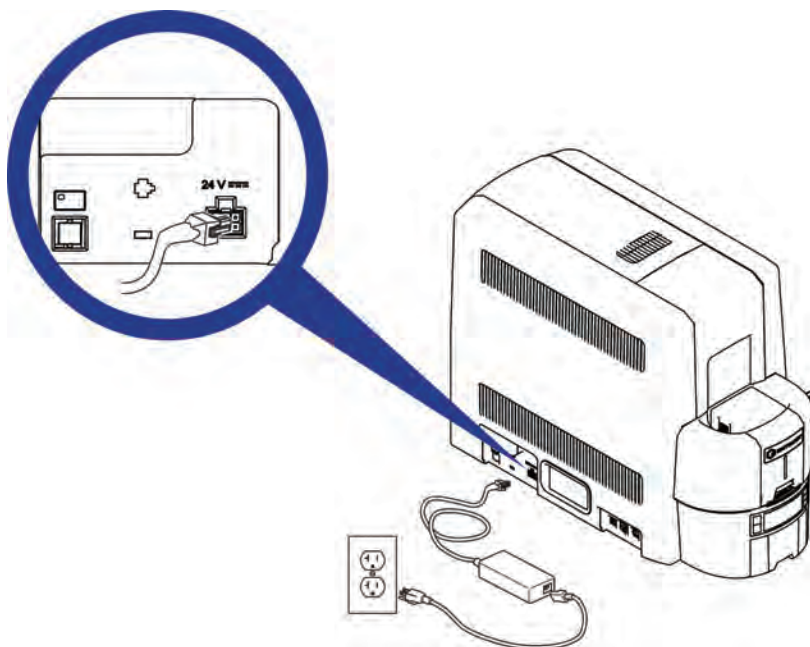
a



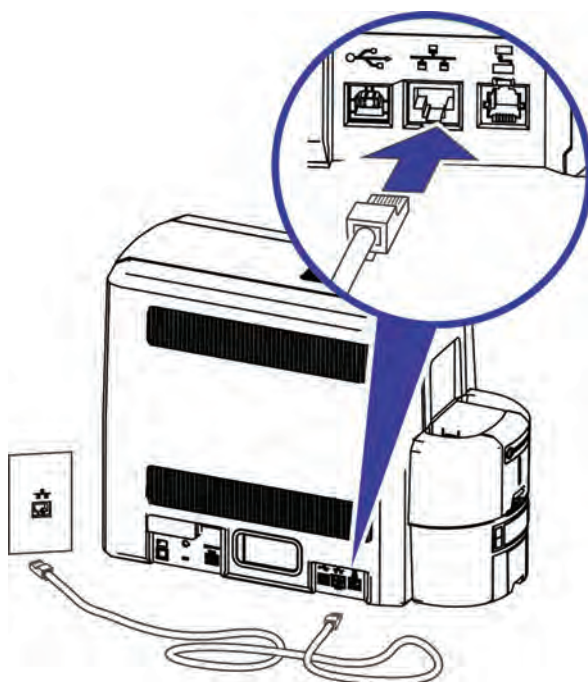
b



Verificación de la conexión de energía



Verificación de la conexión de datos



Mensajes LCD comunes

Mensaje de error	Consulte:
112: La tolva para tarjetas está vacía	"Carga de tarjetas en una impresora de tolva simple" en la página 5 "Uso de la ranura de excepción" en la página 6 "Carga de tarjetas en una impresora de tolva múltiple" en la página 7 "Uso de la corredera de excepción de tolva múltiple" en la página 9
166: Se agotó o no se encuentra el suministro de C2 167: No se identificó el suministro de C2 168: El suministro de C2 no es compatible	"Reemplazo de la película de retransferencia" en la página 14
172: Apagado incorrecto	"Verificación de la conexión de alimentación" en la página 23 "Verificación de la conexión de datos" en la página 24
175: Error en el suministro de C2	"Reparación de una película de retransferencia rota" en la página 22
234: Atasco de la tarjeta durante el transporte K1	"Eliminación de un atasco de tarjeta de transporte horizontal K1" en la página 17
235: Atasco de la tarjeta durante el transporte K2	"Eliminación de un atasco de tarjeta de transporte vertical K2" en la página 19
236: Error en la rotación del módulo del volteador	"Eliminación de un atasco de la tarjeta volteadora" en la página 20
237: Se agotó o no se encuentra el suministro de C1 238: No se identificó el suministro de C1 239: El suministro de C1 no es compatible	"Reemplazo de la cinta de tinta de color" en la página 10 "Reemplazo de la manga de limpieza" en la página 12
240: Error en el suministro de C1	"Reparación de la una cinta de tinta rota" en la página 21
242: La bandeja de rechazo RT1 está llena	"Vaciado de la bandeja de rechazo" en la página 16
277: Error de recolección en la tolva múltiple	"Carga de tarjetas en una impresora de tolva múltiple" en la página 7

Problemas comunes sobre la calidad de impresión

Problema	Causa	Solución
Puntos de color que no se repiten en las tarjetas	Polvo en la cinta de tinta o la película de retransferencia	<ul style="list-style-type: none">• Adelante el suministro, o• "Reemplazo de la cinta de tinta de color" en la página 10• "Reemplazo de la película de retransferencia" en la página 14
Aparecen arrugas en las tarjetas	Los suministros están arrugados	<ul style="list-style-type: none">• Adelante el suministro, o• "Reemplazo de la cinta de tinta de color" en la página 10• "Reemplazo de la película de retransferencia" en la página 14
Imágenes borrosas o descoloridas Pequeñas áreas sin imprimir en las tarjetas	<ul style="list-style-type: none">• Huellas dactilares, suciedad o rayones en tarjetas• Suciedad dentro de la impresora• El cabezal de impresión está sucio	<ul style="list-style-type: none">• Asegúrese de que las tarjetas estén limpias.• Limpie la impresora. Consulte el "Programa de limpieza" en la página 27• "Reemplazo de la manga de limpieza" en la página 12• "Limpieza del cabezal de impresión" en la página 36
Puntos de color repetidos en varias tarjetas	Polvo o suciedad en los rodillos de leva	"Limpieza de los rodillos de leva del cabezal de impresión" en la página 40
Rayas de color o blancas en las tarjetas	Polvo o suciedad en el cabezal de impresión	<ul style="list-style-type: none">• Imprima otra tarjeta para ver si el problema continúa• "Limpieza del cabezal de impresión" en la página 36

- Consulte la *Guía del usuario del sistema de emisión instantánea CR825 y CE875* para obtener información adicional sobre solución de problemas.
- También consulte el "Programa de limpieza" en la página 27 para obtener recomendaciones de mejores prácticas para el mantenimiento de la impresora.

Programa de limpieza

Siga el programa de limpieza recomendado para mantener la impresora y obtener la mejor calidad de impresión.

Programa	Acción	Procedimiento
Cuando cambie la cinta de tinta	Limpié la impresora con la tarjeta de limpieza de isopropanol.	<ul style="list-style-type: none">• "Impresora de tolva simple" en la página 28• "Impresora de tolva múltiple" en la página 29
	Reemplace la manga de limpieza (C3).	"Reemplazo de la manga de limpieza" en la página 12
	Limpié el cabezal de impresión.	"Limpieza del cabezal de impresión" en la página 36
Si ve partículas en tarjetas completadas	Reemplace la manga de limpieza (C3).	"Reemplazo de la manga de limpieza" en la página 12
	Limpié la impresora con la tarjeta de limpieza adhesiva.	<ul style="list-style-type: none">• "Impresora de tolva simple" en la página 32• "Impresora de tolva múltiple" en la página 33
Si ve líneas de color o blancas en las tarjetas completadas	Limpié el cabezal de impresión.	"Limpieza del cabezal de impresión" en la página 36
Si ve puntos de colores repetidos en tarjetas completadas	Limpié los rodillos de leva del cabezal de impresión.	"Limpieza de los rodillos de leva del cabezal de impresión" en la página 40



Cuando limpie la impresora con una tarjeta de limpieza de isopropanol o adhesiva, retire la cinta de tinta (C1) y los cartuchos de película de retransferencia (C2), y la manga de limpieza.

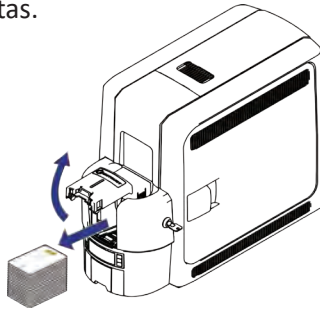
Uso de la tarjeta de limpieza de isopropanol

Utilice la tarjeta de limpieza de isopropanol con regularidad para limpiar la impresora. Consulte el ["Programa de limpieza"](#) en la [página 27](#).

Impresora de una sola tolva

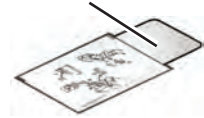
a Desbloquee la impresora y retire los cartuchos de suministro y la manga de limpieza.

Abra la tolva de entrada y retire las tarjetas sin imprimir. Manipule las tarjetas por los bordes o use guantes de inspección de tarjetas.



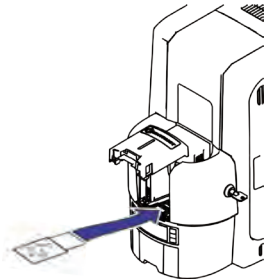
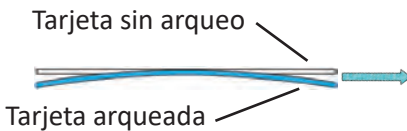
Tarjeta de limpieza de isopropanol

b Abra el paquete de la tarjeta de limpieza y retire la tarjeta de limpieza de isopropanol.



c Cargue la tarjeta de limpieza en la tolva de entrada.

Si la tarjeta de limpieza parece arqueada, insértela como se muestra.



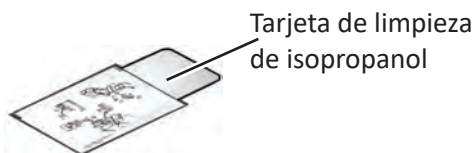
d Cierre la tolva de entrada y bloquee la impresora. Continúe con ["Ejecutar la tarjeta de limpieza de isopropanol"](#) en la [página 30](#).

Uso de la tarjeta de limpieza de isopropanol (cont.)

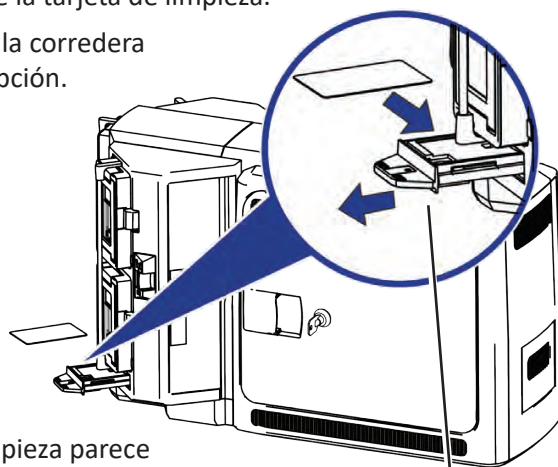
Impresora de tolvas múltiples

a Desbloquee la impresora y retire los cartuchos de suministro y la manga de limpieza.

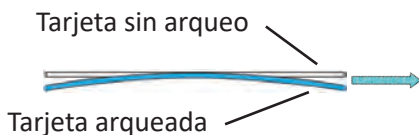
b Saque la tarjeta de limpieza de su paquete.



- c**
1. Extraiga la corredera de excepción de la tolva múltiple e inserte la tarjeta de limpieza.
 2. Empuje la corredera de excepción.



Si la tarjeta de limpieza parece arqueada, insértela como se muestra.



d Continúe con "Ejecutar la tarjeta de limpieza de isopropanol" en la página 30.

Uso de la tarjeta de limpieza de isopropanol (cont.)

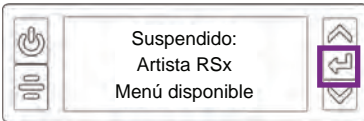
Ejecute la tarjeta de limpieza de isopropanol

a Utilice el panel LCD para ejecutar la tarjeta de limpieza de isopropanol.

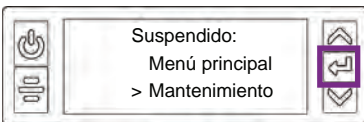
1



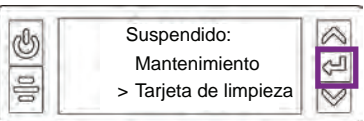
2



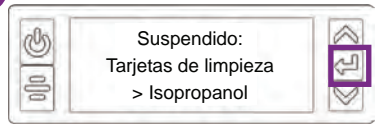
3



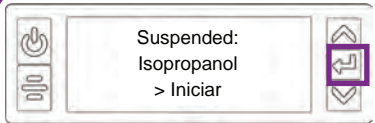
4



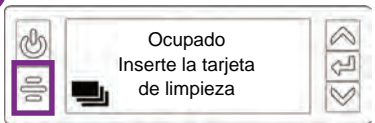
5



6



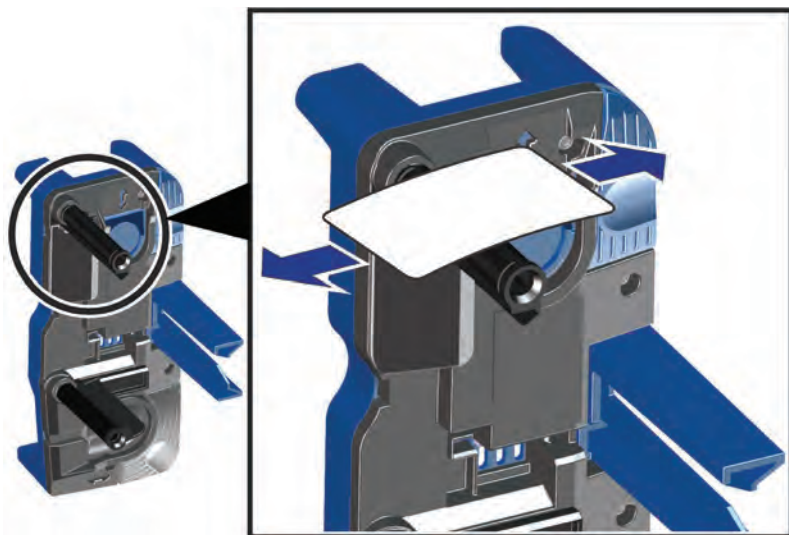
7



La tarjeta de limpieza se expulsa a la bandeja de rechazo de la impresora (RT1). Recoja y guarde la tarjeta de limpieza para limpiar la guía superior de la cinta.

Uso de la tarjeta de limpieza de isopropanol (cont.)

- b** Después de utilizar la tarjeta de limpieza para limpiar la impresora, vuelva a utilizarla para limpiar los residuos del poste de guía superior de la cinta en el cartucho de cinta.



- c** Vuelva a colocar los cartuchos de suministro en la impresora y las tarjetas en la tolva de entrada única.

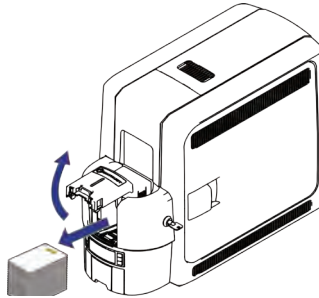
Uso de la tarjeta de limpieza adhesiva

Utilice la tarjeta de limpieza adhesiva para eliminar las partículas que resultan del proceso de retransferencia. Consulte el "[Programa de limpieza](#)" en la [página 27](#) para obtener información sobre cuándo utilizar la tarjeta de limpieza adhesiva.

Impresora de una sola tolva

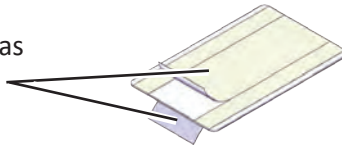
a Desbloquee la impresora y retire los cartuchos de suministro y la manga de limpieza.

Abra la tolva de entrada y retire las tarjetas sin imprimir. Manipule las tarjetas por los bordes o use guantes de inspección de tarjetas.



b Despegue las tiras centrales de ambos lados de la tarjeta de limpieza adhesiva. Deje las tiras laterales en su lugar.

Despegue solo las tiras del centro



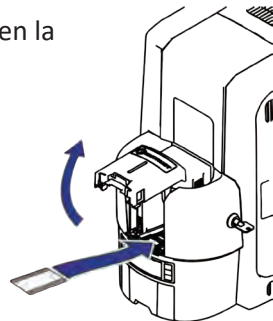
c Cargue la tarjeta de limpieza adhesiva en la tolva de entrada.

Si la tarjeta de limpieza parece arqueada, insértela como se muestra.

Tarjeta sin arqueo



Tarjeta arqueada



d Cierre la tolva de entrada y bloquee la impresora.

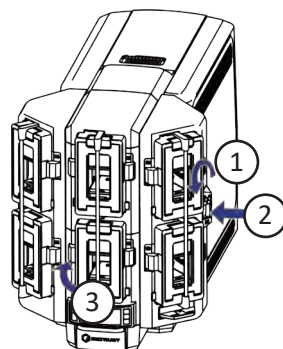
Continúe con "[Ejecutar la tarjeta de limpieza adhesiva](#)" en la [página 35](#).

Uso de la tarjeta de limpieza adhesiva (cont.)

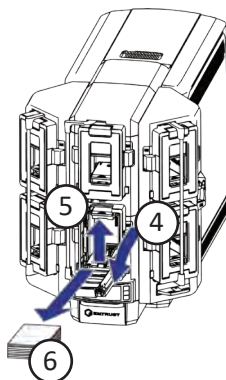
Impresora de tolvas múltiples

a Desbloquee la impresora y retire los cartuchos de suministro y la manga de limpieza.

- b**
1. Desbloquee la puerta de la tolva múltiple.
 2. Deslice el botón de desbloqueo de la barra de bloqueo (B1) hacia la izquierda para liberar las barras de bloqueo de la tolva.
 3. Gire la barra de bloqueo central hacia la izquierda para proporcionar acceso a los cartuchos de entrada de la tolva múltiple H2 y H5.



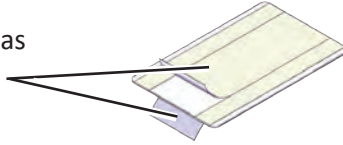
- c**
4. Presione el botón de desbloqueo del cartucho en la parte superior del cartucho H2 y abra la puerta del cartucho.
 5. Levante el peso de la tarjeta hasta la parte superior del cartucho y tire suavemente de este hacia delante hasta que encaje en su posición.
 6. Retire las tarjetas sin imprimir del cartucho H2. Manipule las tarjetas por los bordes o use guantes de inspección de tarjetas.



Uso de la tarjeta de limpieza adhesiva (cont.)

- d** Despegue las tiras centrales de ambos lados de la tarjeta de limpieza adhesiva. Deje las tiras laterales en su lugar.

Despegue solo las
tiras del centro



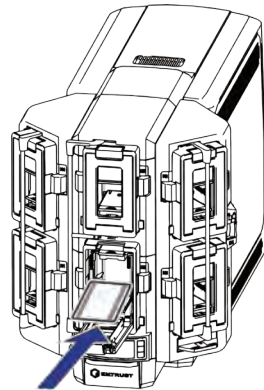
- e** Cargue la tarjeta de limpieza adhesiva en el cartucho H2 y cierre la puerta del cartucho.

Si la tarjeta de limpieza parece arqueada, insértela como se muestra.

Tarjeta sin arqueo



Tarjeta arqueada



No inserte la tarjeta de limpieza adhesiva en la corredera de excepción de la tolva múltiple.

- f** Bloquee la tolva múltiple.

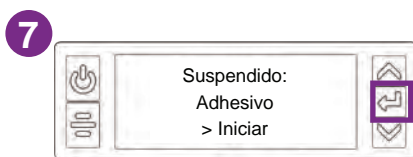
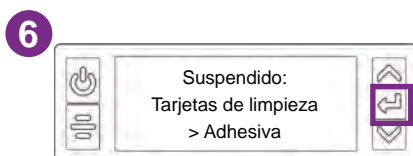
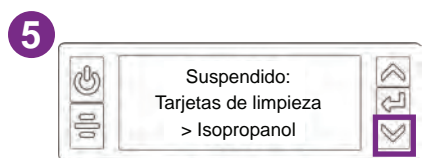
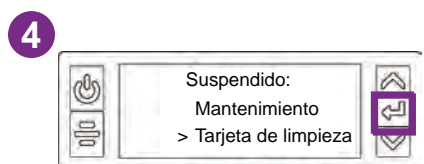
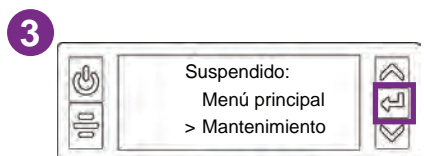
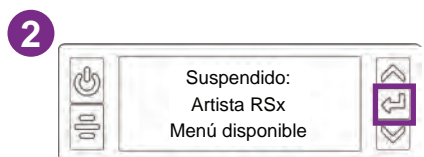
1. Gire la barra de bloqueo central hacia la derecha hasta la posición de bloqueo.
2. Deslice el botón de desbloqueo de la barra de bloqueo hacia la derecha para bloquear las barras de bloqueo en su lugar.
3. Bloquee la puerta de la tolva múltiple.

- g** Continúe con "[Ejecutar la tarjeta de limpieza adhesiva](#)" en la página 35.

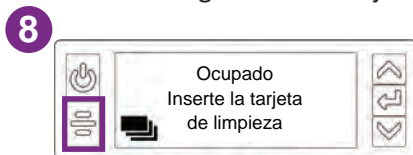
Uso de la tarjeta de limpieza adhesiva (cont.)

Ejecute la tarjeta de limpieza adhesiva

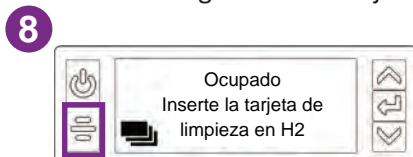
a Utilice el panel LCD para ejecutar la tarjeta de limpieza adhesiva.



Si está limpiando una impresora de una sola tolva, se muestra el siguiente mensaje.



O Si está limpiando una impresora tolva múltiple, se muestra el siguiente mensaje.



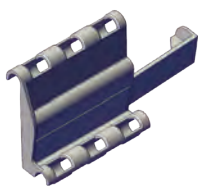
b Retire la tarjeta de limpieza adhesiva de la bandeja de rechazo de la impresora.

c Reemplace los cartuchos de suministro, instale una nueva manga de limpieza y reemplace las tarjetas en la tolva de entrada de una impresora de tolva simple o el cartucho H2 de una impresora de tolva múltiple.

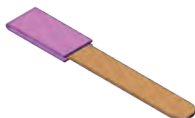
Limpieza del cabezal de impresión

Limpie el cabezal de impresión cada vez que cambie la cinta de tinta o si nota problemas de calidad de impresión.

Utilice los siguientes elementos para limpiar el cabezal de impresión.



Soporte de lapeado



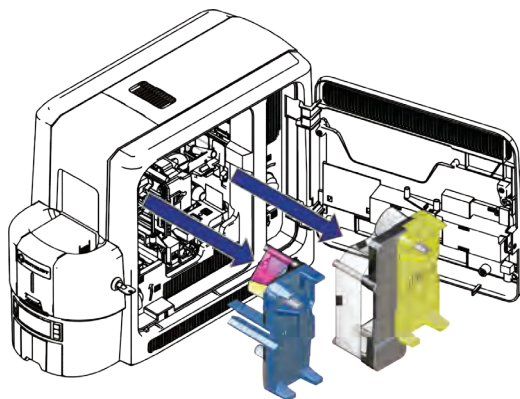
Palillo lapeador



Hisopo de limpieza

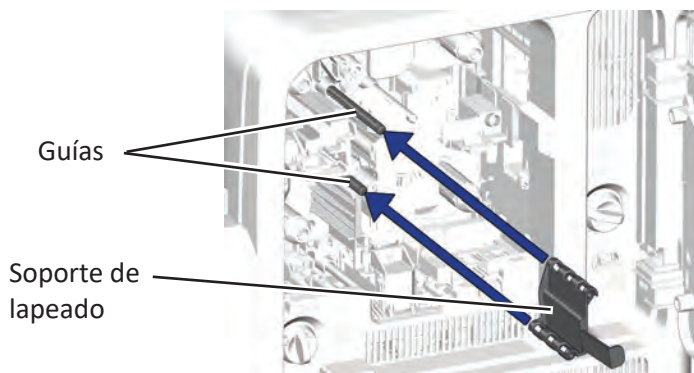
a

1. Apague y desbloquee la impresora.
2. Abra la puerta de acceso a la impresora y retire los cartuchos de cinta de tinta (C1) y de película de retransferencia (C2).



Limpeza del cabezal de impresión (cont.)

- b** Inserte el soporte del palillo lapeador en la impresora. La herramienta de soporte encaja sobre las guías del cartucho y se desliza dentro de la impresora.



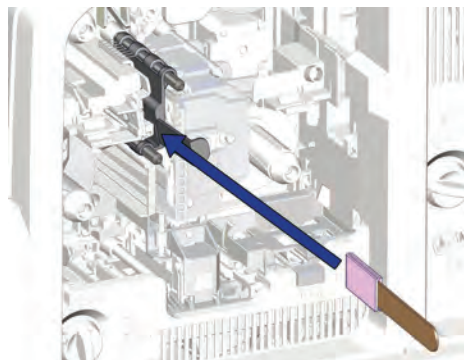
- c** Limpie el cabezal de impresión con el palillo lapeador.



No retire el papel de lapeado rosa del palillo lapeador.

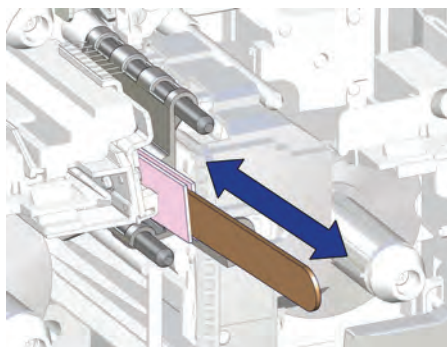


1. Inserte el palillo lapeador en la parte inferior de la herramienta de soporte. Deslícelo hasta que se detenga.



Limpeza del cabezal de impresión (cont.)

2. Mueva el palillo lapeador hacia delante y hacia atrás 3 veces para limpiar el cabezal de impresión.



3. Retire el palillo lapeador de la herramienta de soporte.



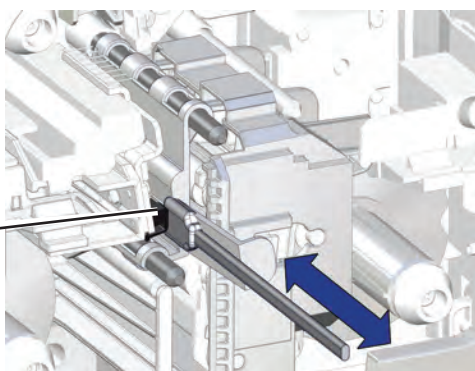
Puede usar el palillo lapeador dos veces, una limpieza por lado. Guarde el palillo lapeador después del primer uso.

d

Limpe el cabezal de impresión con el hisopo de limpieza.

1. Abra el paquete de hisopos de limpieza.
2. Inserte el hisopo de limpieza en la herramienta de soporte. Centre el hisopo como se muestra en la ilustración (o hacia la parte superior del mango de la herramienta de soporte).

Centre el hisopo aquí



Limpieza del cabezal de impresión (cont.)

3. Mueva el hisopo de limpieza hacia delante y hacia atrás 3 veces para eliminar cualquier resto de suciedad del área del cabezal de impresión.
4. Retire el hisopo de limpieza de la herramienta de soporte.

e

Retire la herramienta de soporte de la impresora.



No deseche la herramienta de soporte del palillo lapeador. Guárdelo para un uso futuro de limpieza.

f

1. Vuelva a colocar los cartuchos de cinta de tinta y de película de retransferencia y cierre y bloquee la puerta de acceso a la impresora.
2. Encienda la impresora.
3. Imprima una o más tarjetas de prueba para verificar la calidad de impresión.

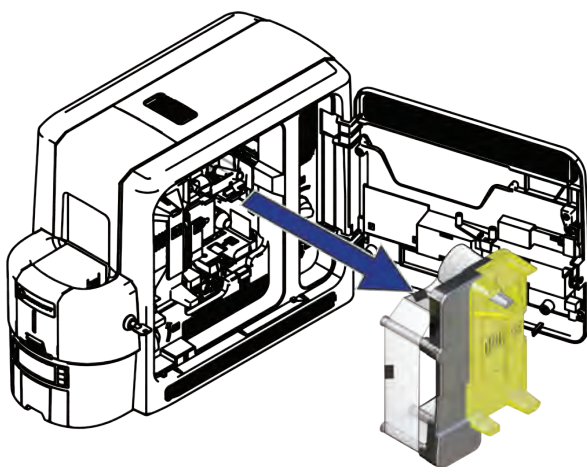


- Utilice únicamente el palillo lapeador y el hisopo de limpieza para limpiar el cabezal de impresión. Otros materiales pueden adherirse al cabezal de impresión y causar daños.
- Deseche el palillo lapeador después del segundo uso.
- Utilice el hisopo de limpieza una sola vez. Deseche el hisopo después de limpiar el cabezal de impresión.

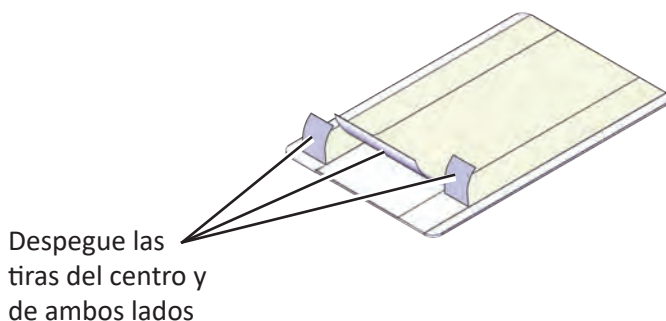
Limpieza de los rodillos de leva del cabezal de impresión

Utilice la tarjeta de limpieza adhesiva para limpiar los rodillos de leva del cabezal de impresión.

- a**
1. Apague la impresora.
 2. Desbloquee la impresora y abra la puerta de acceso.
 3. Retire el cartucho de película de retransferencia (C2) de la impresora.

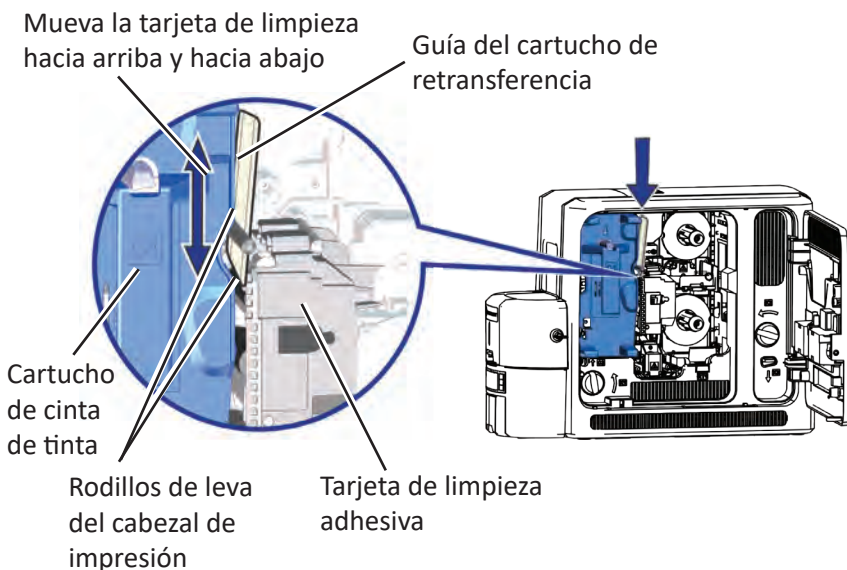


- b**
- Despegue las tiras centrales y de ambos lados de un lado de la tarjeta de limpieza adhesiva.



Limpieza de los rodillos de leva del cabezal de impresión (cont.)

- C**
1. Inserte la tarjeta de limpieza en la impresora entre la guía del cartucho de retransferencia y los rodillos. Asegúrese de que el lado adhesivo de la tarjeta mire hacia la derecha y toque los rodillos.
 2. Mueva la tarjeta de limpieza hacia arriba y hacia abajo a lo largo de los rodillos para eliminar la suciedad.



- d**
1. Reemplace el cartucho de película de retransferencia.
 2. Cierre y bloquee la impresora.
 3. Reinicie la impresora.

- e**
1. Deseche la tarjeta de limpieza usada.

Notas

Notas

ADVERTENCIA: Este producto contiene sustancias químicas, incluido el plomo, que el estado de California reconoce como causantes de cáncer y defectos de nacimiento u otros daños reproductivos. **Lávese las manos después de manipular este producto.**



ADVERTENCIA: Este producto puede exponerlo a sustancias químicas que incluyen di(2-etilhexil)ftalato (DEHP), que según el estado de California causa cáncer, y di(2-etilhexil)ftalato (DEHP) y butil bencil ftalato (BBP), que son conocidos en el estado de California por causar defectos de nacimiento u otros daños reproductivos. Para obtener más información, visite www.P65Warnings.ca.gov y <https://www.entrust.com/legal-compliance/environmental-product-certifications>.



ENTRUST

1187 Park Place

Minneapolis, Minnesota 55379

952.933.1223 • 952.933.7971 Fax

www.entrust.com

Entrust, Sigma y el diseño hexagonal son marcas comerciales, marcas comerciales registradas o marcas de servicio, y Datacard es una marca comercial registrada y una marca de servicio de Entrust Corporation en los Estados Unidos y otros países. Todas las marcas comerciales son propiedad de sus respectivos dueños.

© 2024. El diseño y la información contenida en estos materiales están protegidos.



ENTRUST

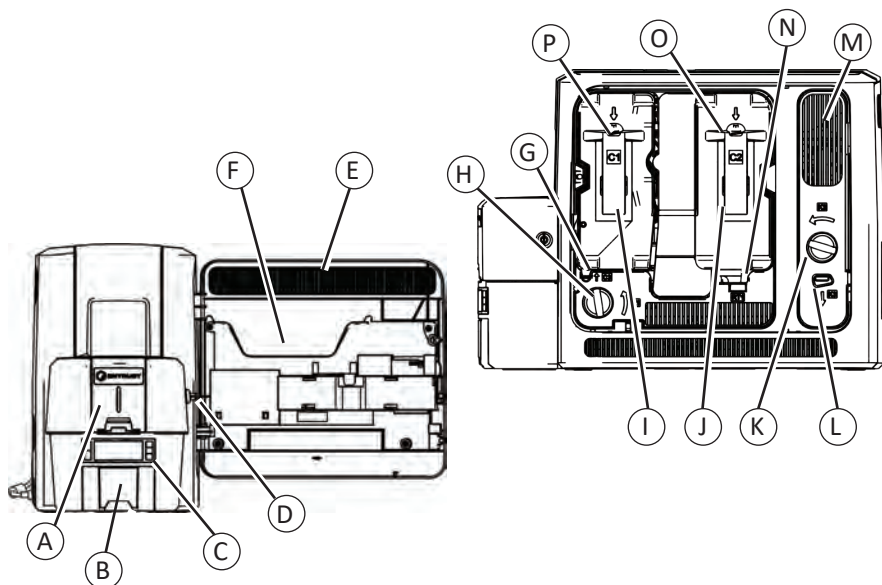
Guide de référence de l'utilisateur

**Système d'émission
financière instantanée
Entrust Artista® RS4**

Table des matières

Système d'émission financière instantanée RS4	3
Imprimante RS4 avec trémie multiple en option	4
Charger les cartes dans une imprimante à une seule trémie	5
Utiliser la fente d'exception	6
Charger les cartes dans une imprimante à trémies multiples	7
Utiliser la glissière d'exception multi-trémie	9
Remplacer le ruban encreur de couleur	10
Remplacer le manchon de nettoyage	12
Remplacer le film de retransfert	14
Vider le plateau de rejet	16
Éliminer un bourrage de carte de transport horizontal K1	17
Éliminer un bourrage de carte de transport vertical K2	19
Supprimer un bourrage de cartes du module de retournement	20
Réparer un ruban encreur cassé	21
Réparer un film de retransfert cassé	22
Vérifier le branchement du cordon d'alimentation.....	23
Vérifier le branchement du câble de données	24
Messages LCD courants	25
Problèmes courants liés à la qualité d'impression	26
Programme de nettoyage	27
Utiliser la carte de nettoyage à l'isopropanol	28
Utiliser la carte de nettoyage adhésive	32
Nettoyer la tête d'impression	36
Nettoyer les rouleaux de la came de la tête d'impression	40

Systeme d'émission financière instantanée RS4



- | | | | |
|---|---|---|---|
| A | Trémie d'entrée | J | Cartouche de retransfert (C2) |
| B | Trémie de sortie | K | Bouton d'avance manuelle (K2) |
| C | Panneau avant | L | Déverrouillage du capot d'accès arrière (K3) |
| D | Verrouillage de l'imprimante | M | Zone de transport vertical |
| E | Capot d'accès à l'imprimante. | N | Bac de rejet (RT1) |
| F | Emplacement du <i>Guide de référence de l'utilisateur</i> | O | Bouton de libération de la cartouche de film de retransfert |
| G | Poignée de la broche de nettoyage (C3) | P | Bouton de libération de la cartouche de ruban encreur |
| H | Bouton d'avance manuelle (K1) | | |
| I | Cartouche de ruban encreur (C1) | | |

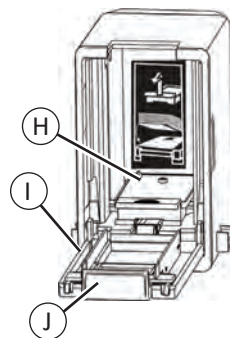
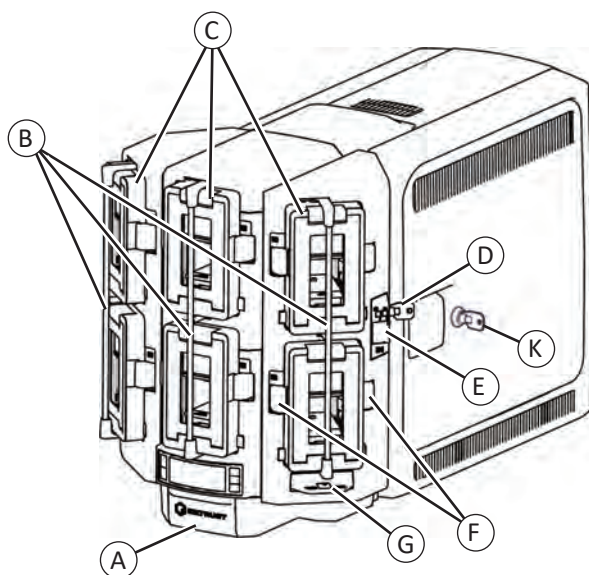
Panneau avant

Panneau avant LCD



Système d'émission financière instantanée Artista RS4

Imprimante RS4 avec trémie multiple en option



A = trémie de sortie

B = Barres de verrouillage de la trémie

C = Trémies d'entrée 1-6

D = Verrouillage multi-trémie

E = Bouton de déverrouillage de la barre de verrouillage (B1)

F = Boutons de libération de la cartouche de trémie

G = Glissière d'exception

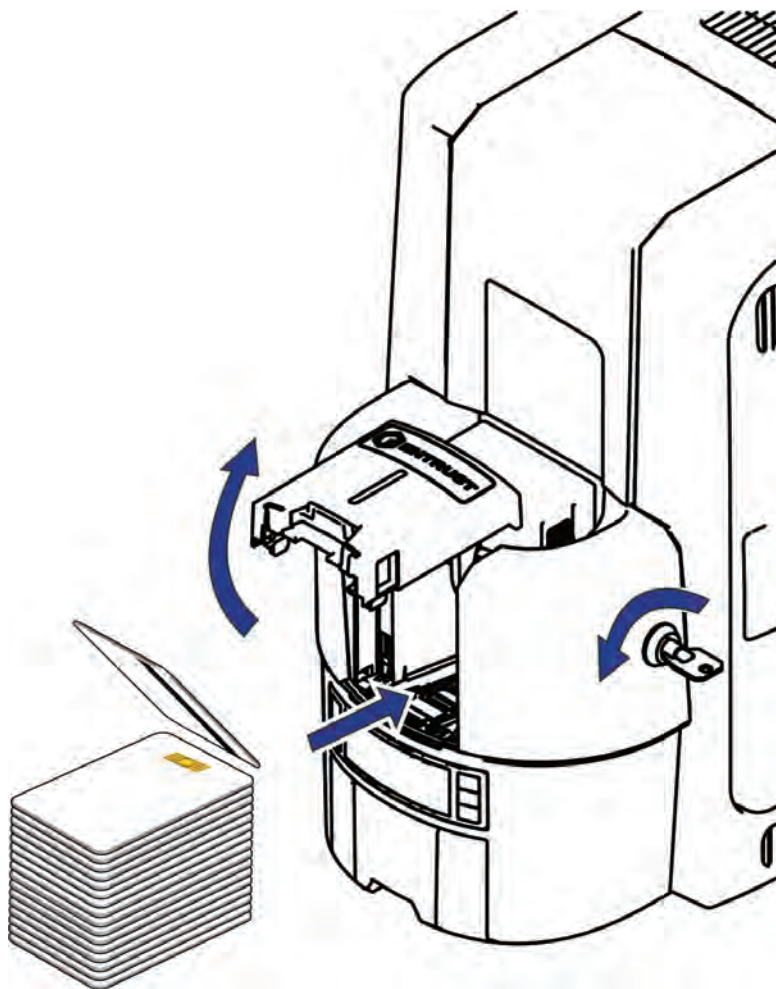
H = Poids de la carte

I = Capot de la cartouche

J = Bouton d'ouverture du compartiment à cartouches

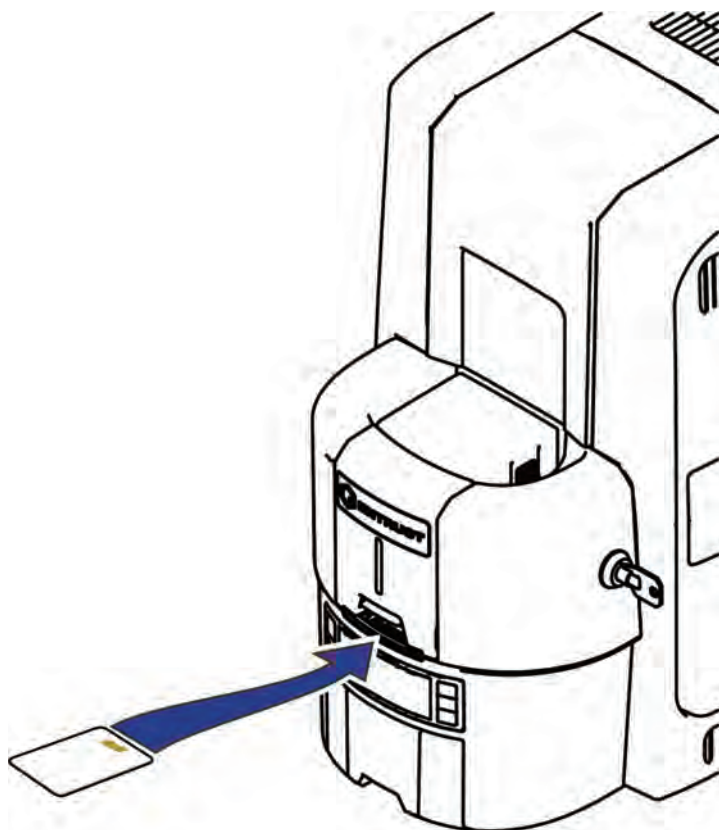
K = Verrouillage de l'imprimante

Charger les cartes dans une imprimante à une seule trémie



Systeme d'émission financière instantanée Artista RS4

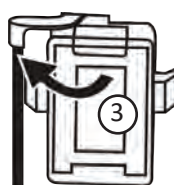
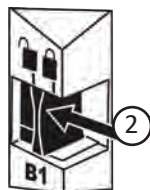
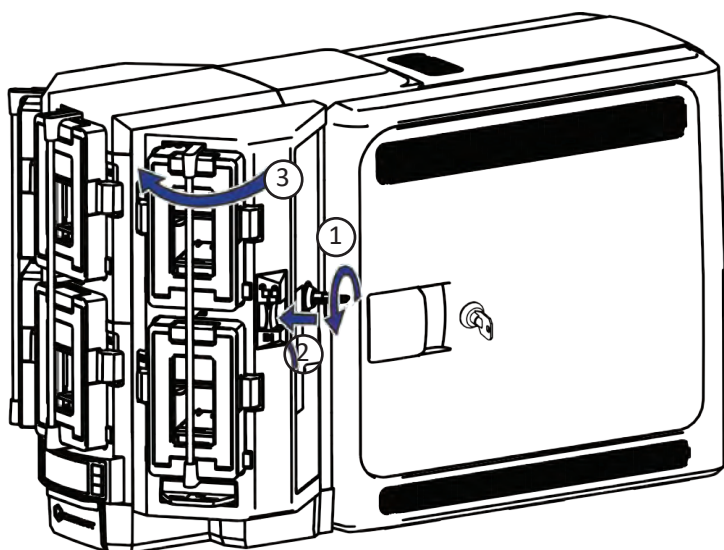
Utiliser la fente d'exception



Charger les cartes dans une imprimante à trémies multiples

a

1. Déverrouillez le verrou du compartiment à plusieurs trémies.
2. Faites glisser le bouton de déverrouillage de la barre de verrouillage (B1) vers la gauche.
3. Faites pivoter une barre de verrouillage vers la gauche.

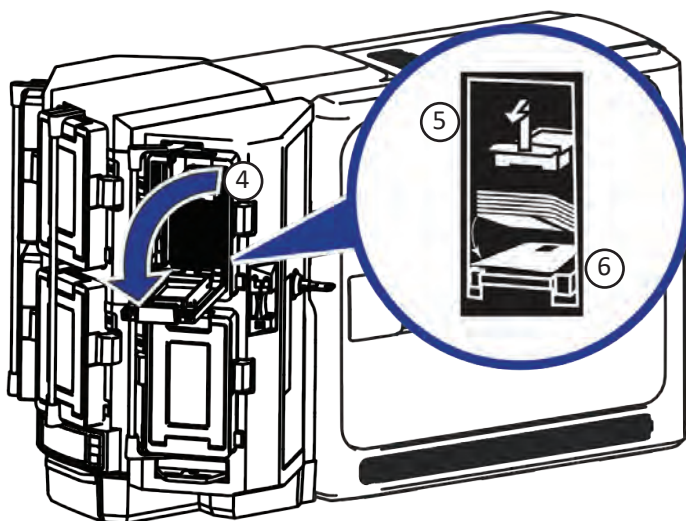


Système d'émission financière instantanée Artista RS4

Charger les cartes dans une imprimante à trémies multiples (suite)

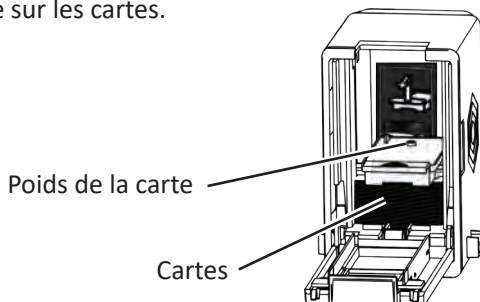
b

4. Appuyez sur le bouton d'ouverture de la cartouche situé en haut de la cartouche et ouvrez le capot de la cartouche.
5. Soulevez le poids de la carte jusqu'en haut de la cartouche et tirez-le vers l'avant jusqu'à ce qu'il s'enclenche.
6. Chargez les cartes dans la cartouche de trémie.



c

Fermez le capot de la cartouche pour libérer le poids de la carte afin qu'il repose sur les cartes.



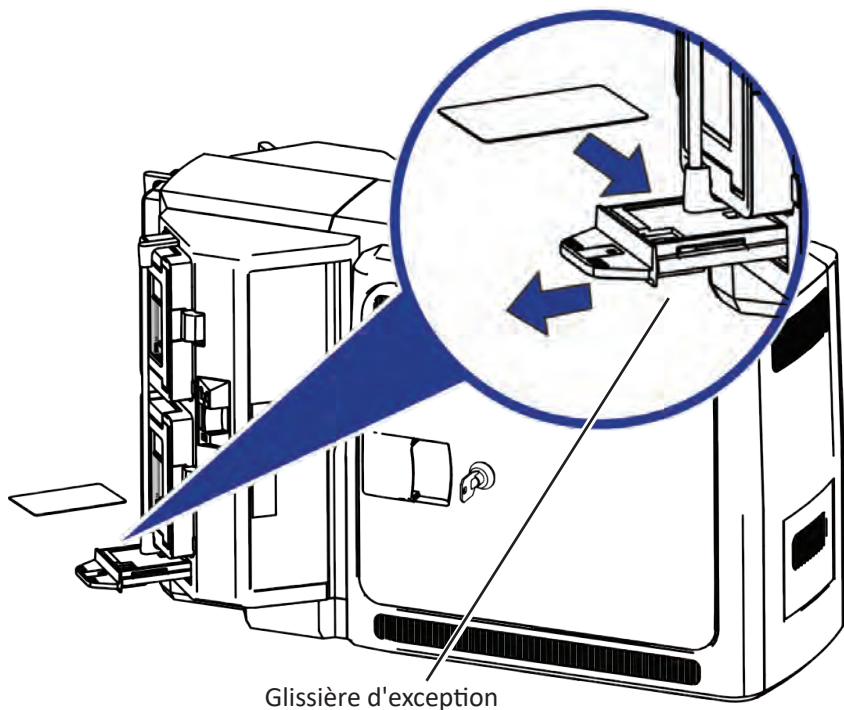
d

Répétez cette opération pour chaque cartouche de trémie.

Une fois que vous avez terminé, remettez tous les verrouillages en position verrouillée.

Utiliser la glissière d'exception multi-trémie

- a** Sortez la glissière d'exception de la trémie multiple et insérez la carte.

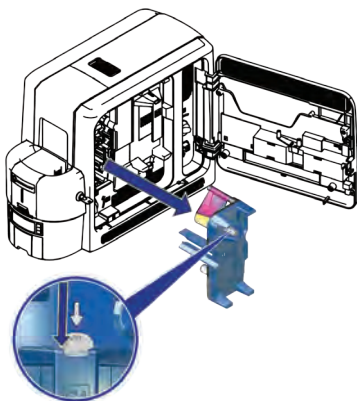


- b** Réinsérez la glissière d'exception.

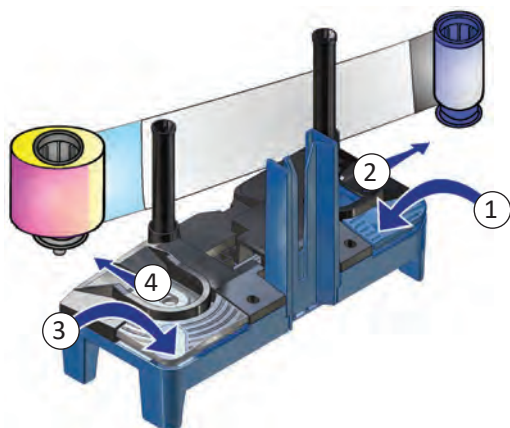
Système d'émission financière instantanée Artista RS4

Remplacer le ruban encreur de couleur

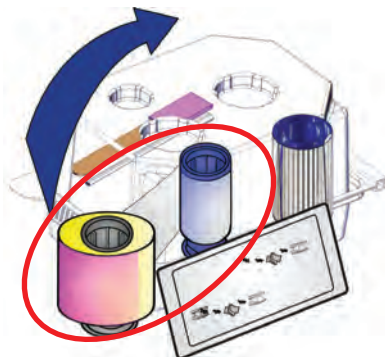
a



b

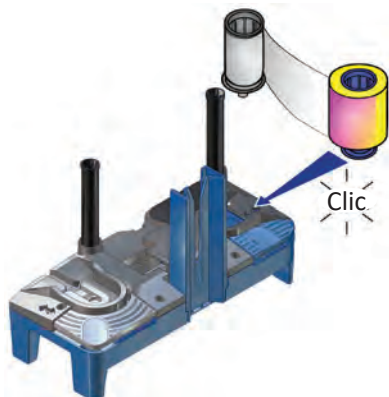


c

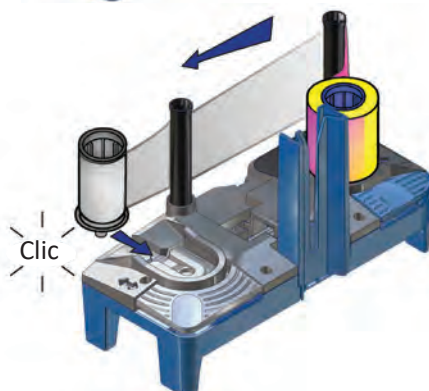


Remplacer le ruban encreur de couleur (suite)

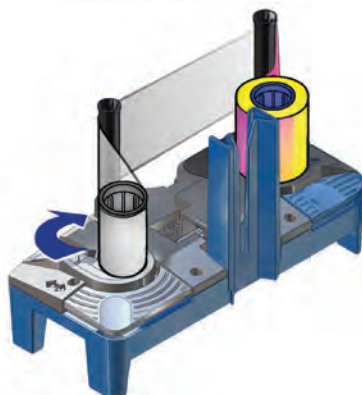
d



e



f



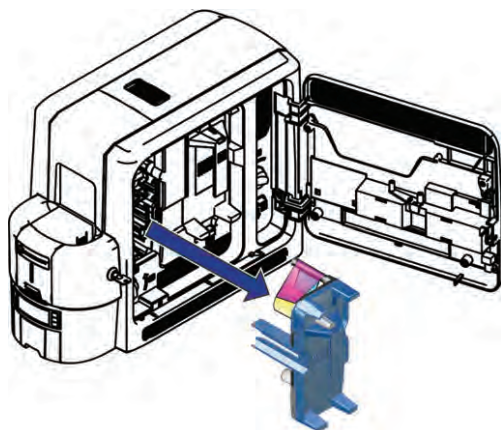
g

Remplacez la cartouche de ruban encreur dans l'imprimante.

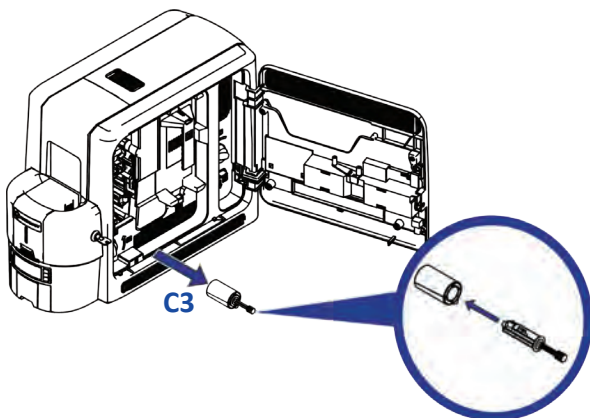
Système d'émission financière instantanée Artista RS4

Remplacer le manchon de nettoyage

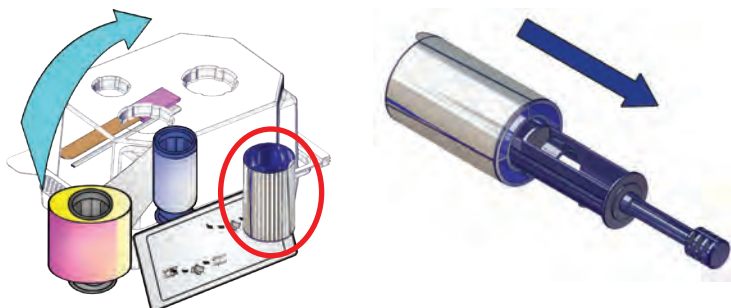
a



b



c

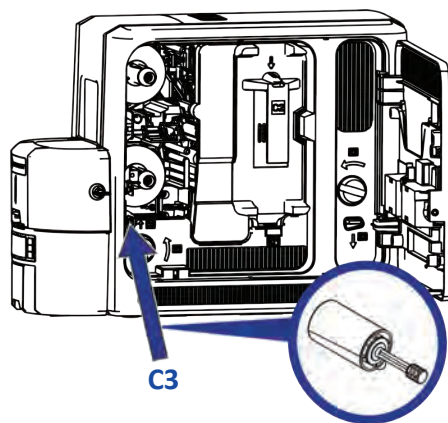


Remplacer le manchon de nettoyage (suite)

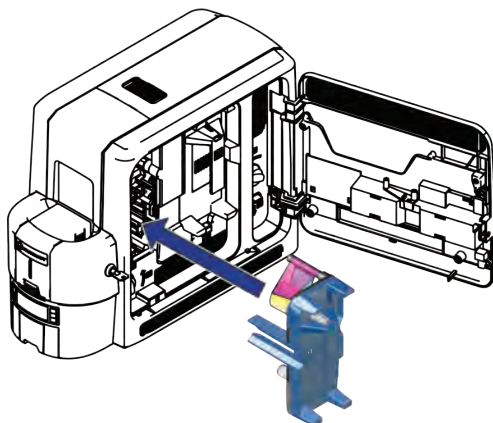
d



e



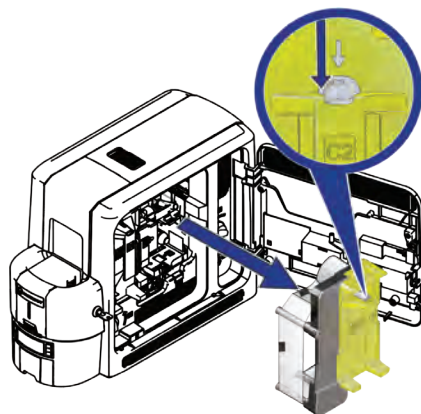
f



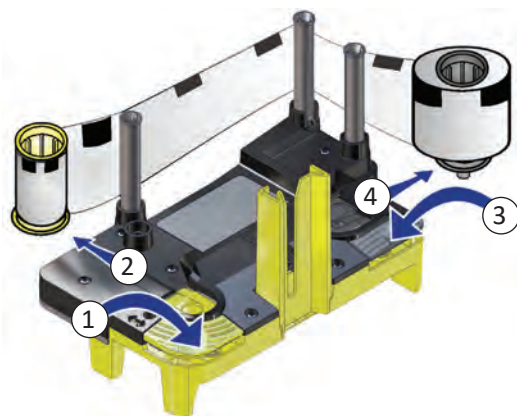
Système d'émission financière instantanée Artista RS4

Remplacer le film de retransfert

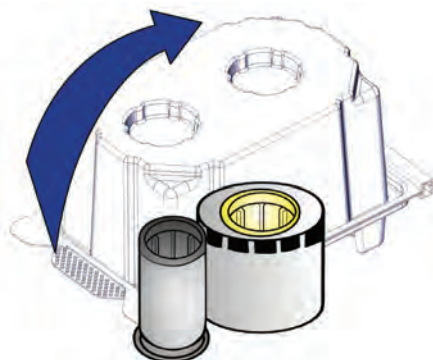
a



b

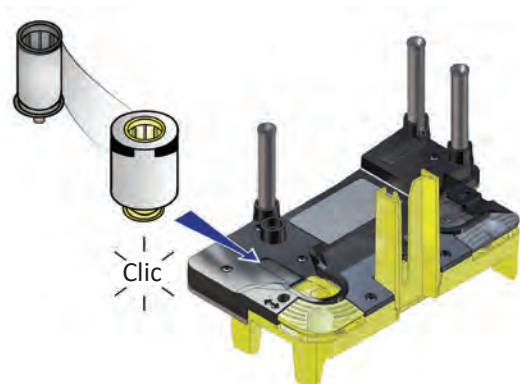


c

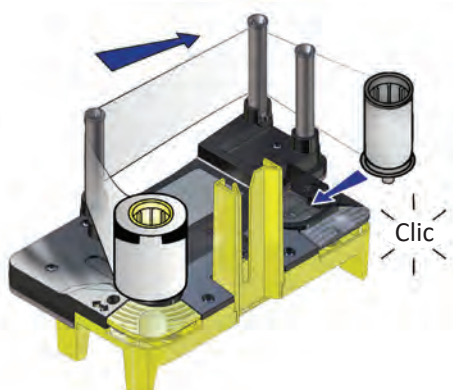


Remplacer le film de retransfert (suite)

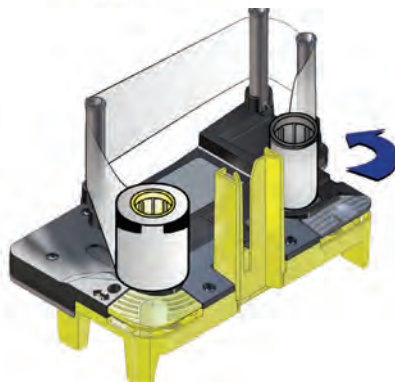
d



e



f



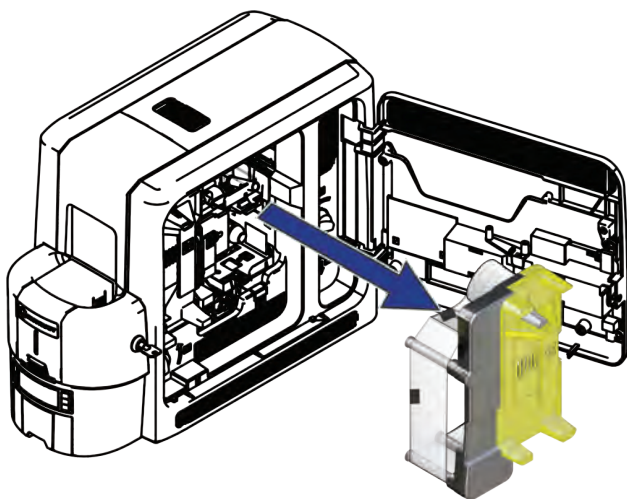
g

Remplacez la cartouche du film de retransfert dans l'imprimante.

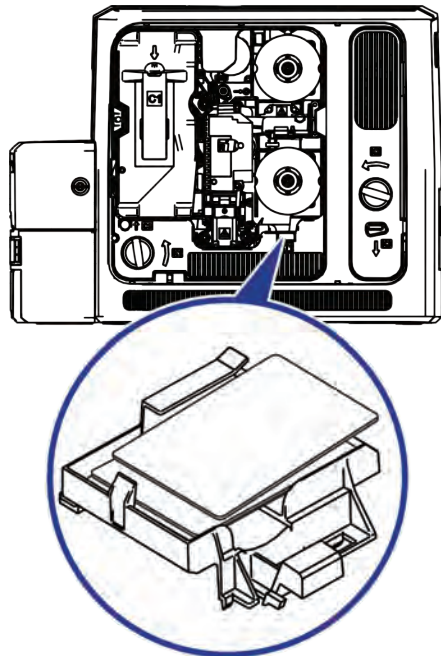
Système d'émission financière instantanée Artista RS4

Vider le plateau de rejet

a



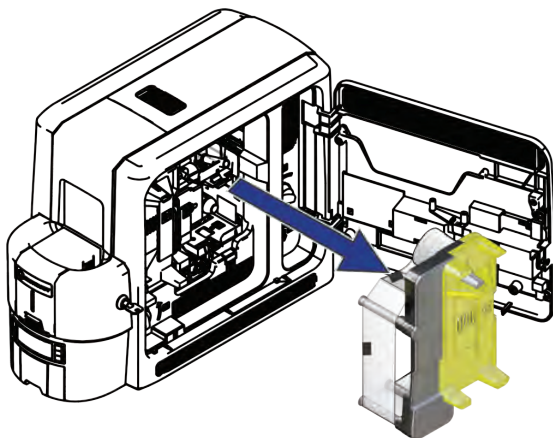
b



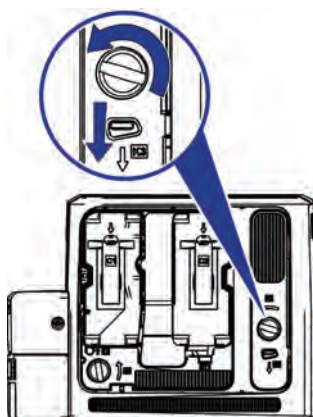
Éliminer un bouchage de carte de transport horizontal K1

Imprimante avec trémie simple

- a** Déverrouillez l'imprimante et ouvrez son capot d'accès.
Retirez la cartouche de film de retransfert.



- b** Tournez le bouton d'avance manuelle K1 dans le sens anti-horaire pour déplacer la carte bloquée vers la trémie de sortie.
Retirez la carte de la trémie de sortie.



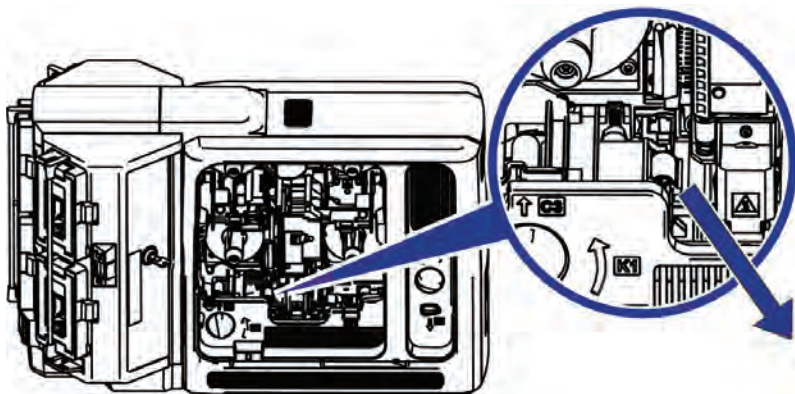
- c** Replacez la cartouche du film de retransfert, puis fermez et verrouillez l'imprimante.

Système d'émission financière instantanée Artista RS4

Éliminer un bouchage de carte de transport horizontal K1 (suite)

Imprimante avec multi-trémies

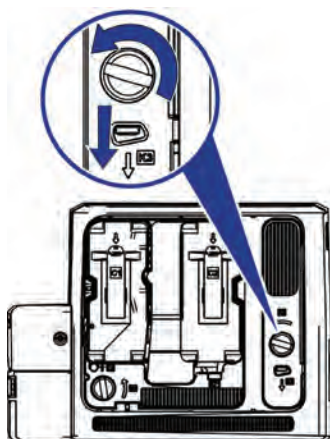
- a**
1. Déverrouillez l'imprimante et ouvrez son capot d'accès.
 2. Retirez les cartouches de ruban encreur et de film de retransfert.
 3. Localisez la carte dans l'imprimante. Tournez le bouton d'avance manuelle K1 si nécessaire pour accéder à la carte.
 4. Retirez la carte de l'imprimante.



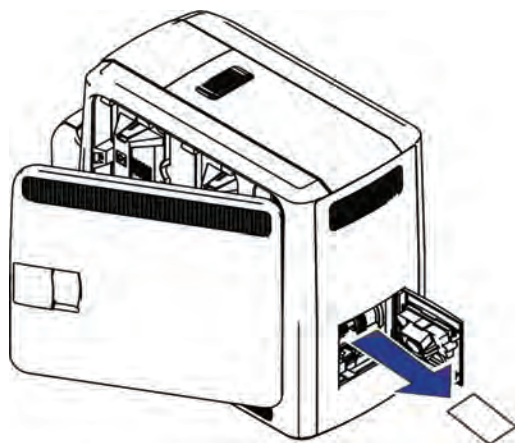
- b**
- Remplacez les cartouches, puis fermez et verrouillez l'imprimante.

Éliminer un bouchage de carte de transport vertical K2

- a**
1. Déverrouillez l'imprimante et ouvrez son capot d'accès.
 2. Appuyez sur le bouton de déverrouillage du capot d'accès arrière K3 pour ouvrir le capot d'accès arrière.
 3. Tournez le bouton d'avance manuelle K2 dans le sens anti-horaire pour déplacer la carte coincée à l'intérieur du transport vertical jusqu'à ce qu'elle soit accessible par le capot d'accès arrière.



- b** Retirez la carte par le capot d'accès arrière.

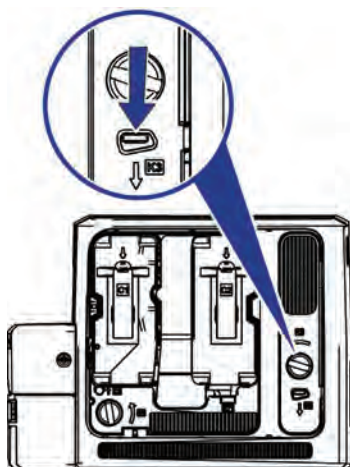


- c** Fermez les capots de l'imprimante et verrouillez l'imprimante.

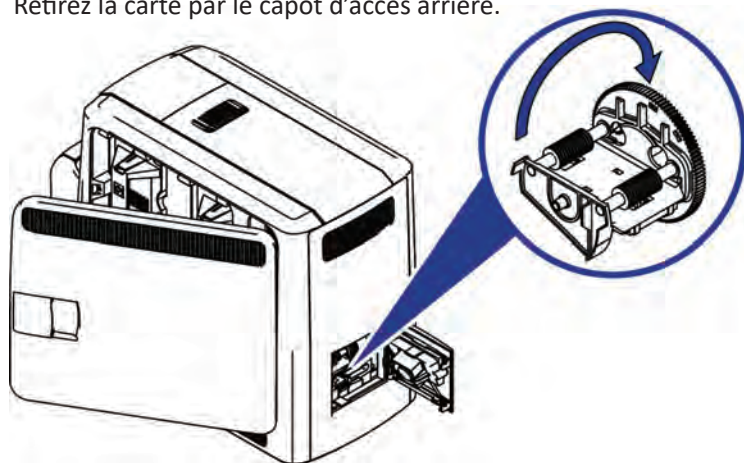
Système d'émission financière instantanée Artista RS4

Supprimer un bouchage de cartes du module de retournement

- a** Déverrouillez l'imprimante et ouvrez son capot d'accès.
Appuyez sur le bouton de déverrouillage du capot d'accès arrière K3 pour ouvrir le capot d'accès arrière.



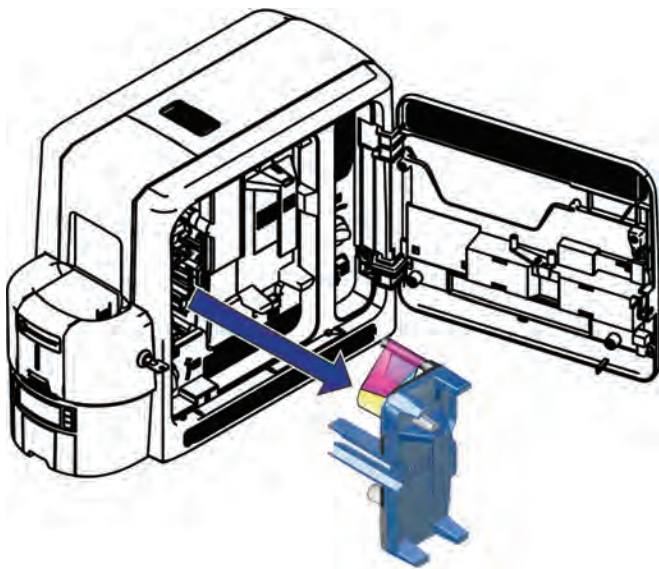
- b** Faites pivoter le module de retournement jusqu'à ce que la carte soit accessible.
Retirez la carte par le capot d'accès arrière.



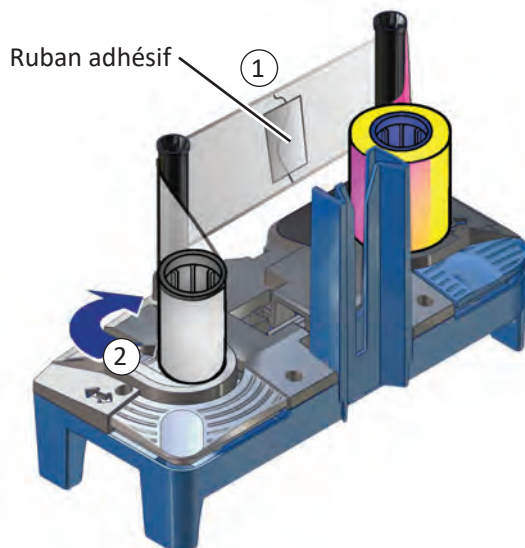
- c** Fermez les capots de l'imprimante et verrouillez l'imprimante.

Réparer un ruban encreur cassé

a



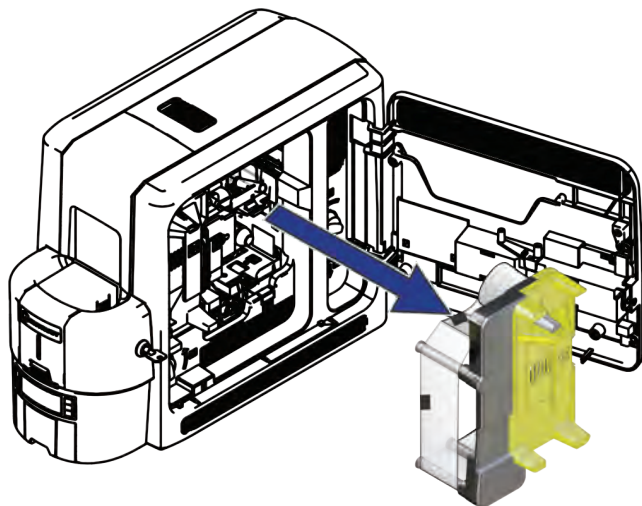
b



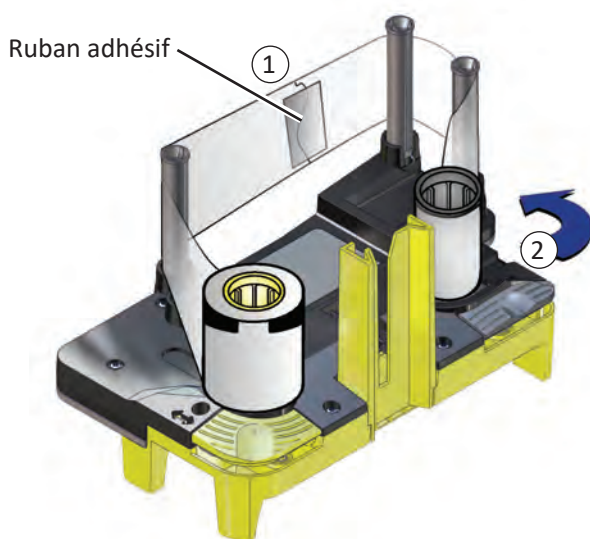
Système d'émission financière instantanée Artista RS4

Réparer un film de retransfert cassé

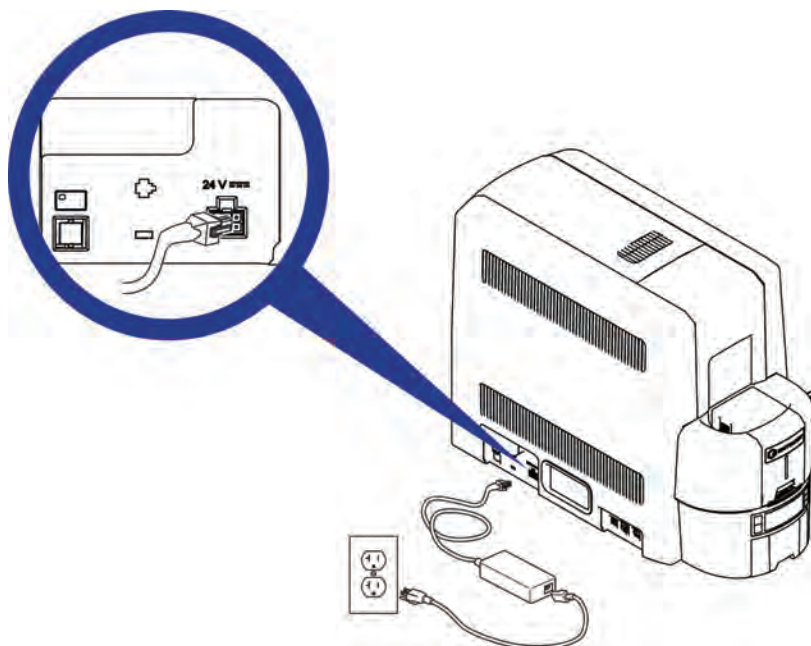
a



b

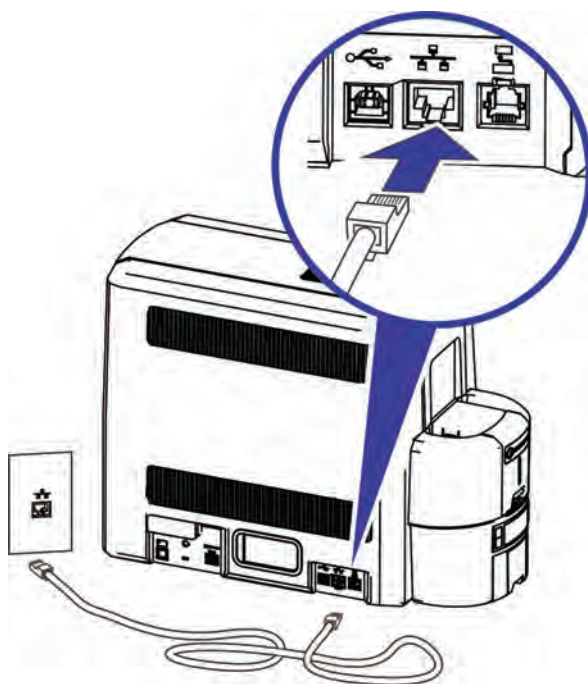


Vérifier le branchement du cordon d'alimentation



Système d'émission financière instantanée Artista RS4

Vérifier le branchement du câble de données



Messages LCD courants

Message d'erreur	Voir :
112 : Trémie de cartes vide	"Charger les cartes dans une imprimante à une seule trémie" à la page 5 "Utiliser la fente d'exception" à la page 6 "Charger les cartes dans une imprimante à trémies multiples" à la page 7 "Utiliser la glissière d'exception multi-trémie" à la page 9
166 : Fourniture C2 épuisée ou manquante 167 : Fourniture C2 non identifiée 168 : Fourniture C2 non prise en charge	"Remplacer le film de retransfert" à la page 14
172 : Mauvais arrêt	"Vérifier le branchement du cordon d'alimentation" à la page 23 "Vérifier le branchement du câble de données" à la page 24
175 : Erreur de fourniture C2	"Réparer un film de retransfert cassé" à la page 22
234 : Blocage de la carte dans le transport K1	"Éliminer un bourrage de carte de transport horizontal K1" à la page 17
235 : Blocage de la carte dans le transport K2	"Éliminer un bourrage de carte de transport vertical K2" à la page 19
236 : Erreur de rotation du module de retourneur	"Supprimer un bourrage de cartes du module de retournement" à la page 20
237 : Fourniture C1 épuisée ou manquante 238 : Fourniture C1 non identifiée 239 : Fourniture C1 non prise en charge	"Remplacer le ruban encreur de couleur" à la page 10 "Remplacer le manchon de nettoyage" à la page 12
240 : Erreur de fourniture C1	"Réparer un ruban encreur cassé" à la page 21
242 : Plateau de rejet RT1 plein	"Vider le plateau de rejet" à la page 16
277 : Erreur de réception de trémie multiple	"Charger les cartes dans une imprimante à trémies multiples" à la page 7

Problèmes courants liés à la qualité d'impression

Problème	Cause	Solution
Points de couleur isolés sur les cartes	Présence de poussière sur le ruban encreur ou le film de retransfert	<ul style="list-style-type: none">Avancer le consommable, ou"Remplacer le ruban encreur de couleur" à la page 10"Remplacer le film de retransfert" à la page 14
Des plis apparaissent sur les cartes	Les consommables sont froissés	<ul style="list-style-type: none">Avancer le consommable, ou"Remplacer le ruban encreur de couleur" à la page 10"Remplacer le film de retransfert" à la page 14
Images floues ou décolorées Petites zones non imprimées sur les cartes	<ul style="list-style-type: none">Présence d'empreintes de doigt, de débris ou de rayures sur les cartesPrésence de débris à l'intérieur de l'imprimanteLa tête d'impression est sale	<ul style="list-style-type: none">S'assurer que les cartes sont propresNettoyer l'imprimante. Voir "Programme de nettoyage" à la page 27"Remplacer le manchon de nettoyage" à la page 12"Nettoyer la tête d'impression" à la page 36
Points de couleur répétés sur plusieurs cartes	Présence de poussières ou de débris sur les rouleaux de la came	"Nettoyer les rouleaux de la came de la tête d'impression" à la page 40
Des traces blanches ou de couleur apparaissent sur les cartes	Présence de poussières ou de débris sur la tête d'impression	<ul style="list-style-type: none">Imprimer une autre carte pour voir si le problème persiste"Nettoyer la tête d'impression" à la page 36

- Reportez-vous au *Guide de l'utilisateur des systèmes d'émission instantanée CR825 et CE875* pour plus d'informations sur le dépannage.
- Consultez également la section "Programme de nettoyage" à la page 27 pour obtenir des recommandations relatives à l'entretien de l'imprimante.

Programme de nettoyage

Suivez le programme de nettoyage recommandé pour entretenir l'imprimante et obtenir une qualité d'impression optimale.

Programme	Action	Procédure
Lorsque vous changez le ruban encreur	Nettoyez l'imprimante avec la carte de nettoyage à l'isopropanol.	<ul style="list-style-type: none">• "Imprimante avec trémie simple" à la page 28• "Imprimante avec multi-trémies" à la page 29
	Remplacez le manchon de nettoyage (C3).	"Remplacer le manchon de nettoyage" à la page 12
	Nettoyez la tête d'impression.	"Nettoyer la tête d'impression" à la page 36
Si vous voyez des particules sur les cartes terminées	Remplacez le manchon de nettoyage (C3).	"Remplacer le manchon de nettoyage" à la page 12
	Nettoyez l'imprimante avec la carte de nettoyage adhésive.	<ul style="list-style-type: none">• "Imprimante avec trémie simple" à la page 32• "Imprimante avec multi-trémies" à la page 33
Si vous voyez des lignes blanches ou de couleur sur les cartes terminées	Nettoyez la tête d'impression.	"Nettoyer la tête d'impression" à la page 36
Si vous voyez plusieurs points de couleur sur les cartes terminées	Nettoyez les rouleaux de la came de la tête d'impression.	"Nettoyer les rouleaux de la came de la tête d'impression" à la page 40



Lorsque vous nettoyez l'imprimante à l'aide de la carte de nettoyage adhésive ou à l'isopropanol, retirez les cartouches de ruban encreur (C1) et de film de retransfert (C2), ainsi que le manchon de nettoyage.

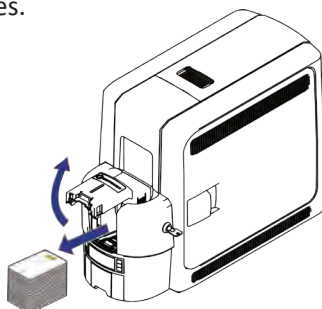
Utiliser la carte de nettoyage à l'isopropanol

Nettoyez régulièrement l'imprimante avec la carte de nettoyage à l'isopropanol. Reportez-vous à la section "[Programme de nettoyage](#)" à la page 27.

Imprimante avec trémie simple

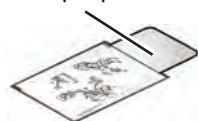
a Déverrouillez l'imprimante et retirez les cartouches d'alimentation et le manchon de nettoyage.

Ouvrez la trémie d'entrée et retirez les cartes non imprimées. Manipulez les cartes par les bords ou portez des gants d'inspection des cartes.



b Ouvrez l'emballage de la carte de nettoyage et sortez la carte de nettoyage à l'isopropanol.

Carte de nettoyage à l'isopropanol



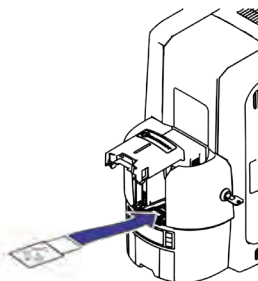
c Chargez la carte de nettoyage dans la trémie d'entrée.

Si la carte de nettoyage semble courbée, insérez-la comme indiqué.

Carte non courbée



Carte courbée



d Fermez la trémie d'entrée et verrouillez l'imprimante.

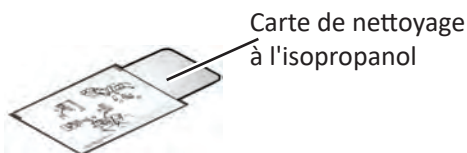
Passez à la section "[Passer la carte de nettoyage à l'isopropanol](#)" à la page 30.

Utiliser la carte de nettoyage à l'isopropanol (suite)

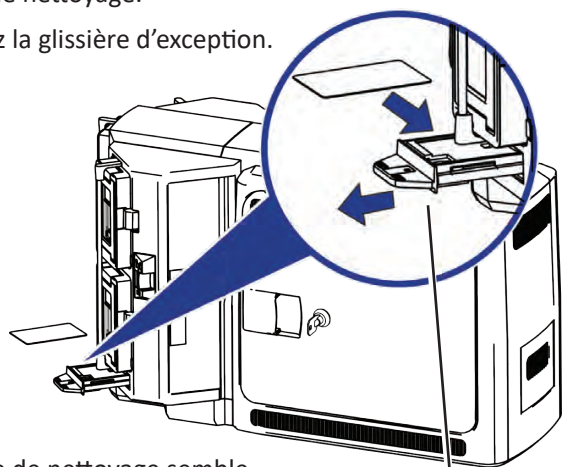
Imprimante avec multi-trémies

a Déverrouillez l'imprimante et retirez les cartouches d'alimentation et le manchon de nettoyage.

b Retirez la carte de nettoyage de son emballage.



- c**
1. Sortez la glissière d'exception de la trémie multiple et insérez la carte de nettoyage.
 2. Réinsérez la glissière d'exception.



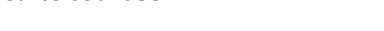
Si la carte de nettoyage semble courbée, insérez-la comme indiqué.

Glissière d'exception

Carte non courbée



Carte courbée



d Passez à la section "[Passer la carte de nettoyage à l'isopropanol](#)" à la page 30.

Système d'émission financière instantanée Artista RS4

Utiliser la carte de nettoyage à l'isopropanol (suite)

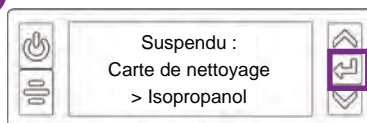
Passer la carte de nettoyage à l'isopropanol

a Utilisez l'écran LCD pour passer la carte de nettoyage à l'isopropanol.

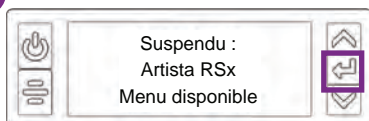
1



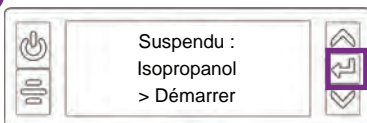
5



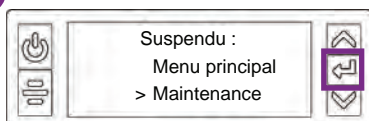
2



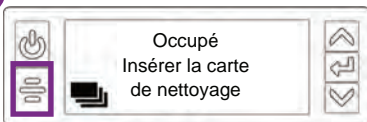
6



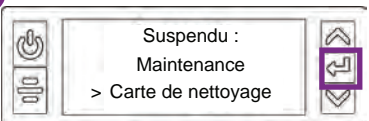
3



7



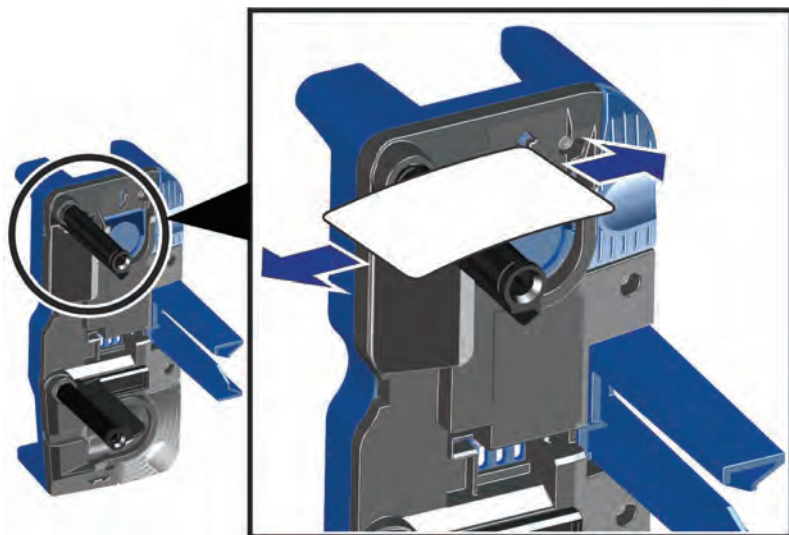
4



La carte de nettoyage est éjectée dans le bac de rejet de l'imprimante (RT1). Récupérez et conservez la carte de nettoyage pour nettoyer le guide de ruban supérieur.

Utiliser la carte de nettoyage à l'isopropanol (suite)

- b** Après avoir nettoyé l'imprimante avec la carte de nettoyage, réutilisez la carte pour enlever les débris du guide de ruban supérieur sur la cartouche de ruban.



- c** Remplacez les cartouches d'alimentation dans l'imprimante, et les cartes dans la trémie d'entrée simple.

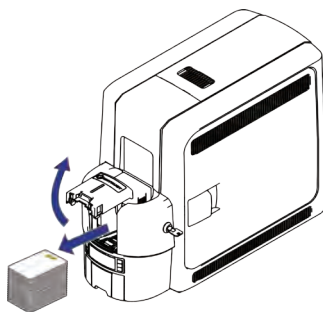
Utiliser la carte de nettoyage adhésive

Éliminez les particules résultant du processus de retransfert en vous servant de la carte de nettoyage adhésive. Reportez-vous à la section "[Programme de nettoyage](#)" à la page 27 pour savoir quand utiliser la carte de nettoyage adhésive.

Imprimante avec trémie simple

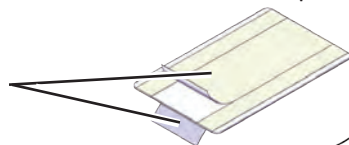
a Déverrouillez l'imprimante et retirez les cartouches d'alimentation et le manchon de nettoyage.

Ouvrez la trémie d'entrée et retirez les cartes non imprimées. Manipulez les cartes par les bords ou portez des gants d'inspection des cartes.



b Décollez les bandes centrales des deux faces de la carte de nettoyage adhésive. Laissez les bandes latérales en place.

Décoller uniquement
les bandes centrales

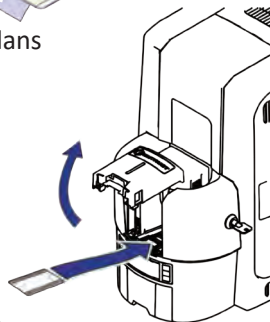


c Chargez la carte de nettoyage adhésive dans la trémie d'entrée.

Si la carte de nettoyage semble courbée, insérez-la comme indiqué.

Carte non courbée

Carte courbée



d Fermez la trémie d'entrée et verrouillez l'imprimante.

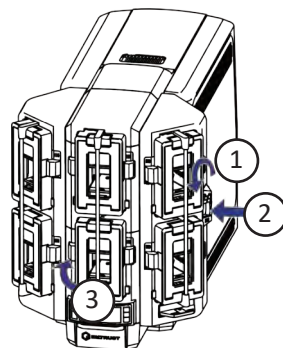
Passez à la section "[Passer la carte de nettoyage adhésive](#)" à la page 35.

Utiliser la carte de nettoyage adhésive (suite)

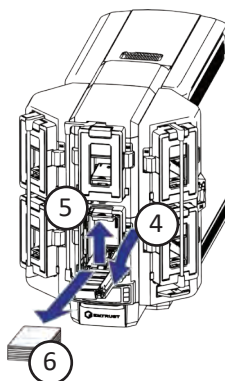
Imprimante avec multi-trémies

a Déverrouillez l'imprimante et retirez les cartouches d'alimentation et le manchon de nettoyage.

- b**
1. Déverrouillez le verrou du compartiment à plusieurs trémies.
 2. Faites glisser le bouton de déverrouillage de la barre de verrouillage (B1) vers la gauche pour libérer les barres de verrouillage de la trémie.
 3. Tournez la barre de verrouillage centrale vers la gauche pour accéder aux cartouches d'entrée multi-trémies H2 et H5.



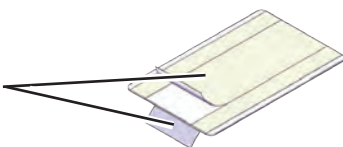
- c**
4. Appuyez sur le bouton d'ouverture de la cartouche situé en haut de la cartouche H2 et ouvrez le capot de la cartouche.
 5. Soulevez le poids de la carte jusqu'en haut de la cartouche et tirez-le doucement vers l'avant jusqu'à ce qu'il s'enclenche.
 6. Retirez les cartes non imprimées de la cartouche H2. Manipulez les cartes par les bords ou portez des gants d'inspection des cartes.



Utiliser la carte de nettoyage adhésive (suite)

- d** Décollez les bandes centrales des deux faces de la carte de nettoyage adhésive. Laissez les bandes latérales en place.

Décoller uniquement
les bandes centrales



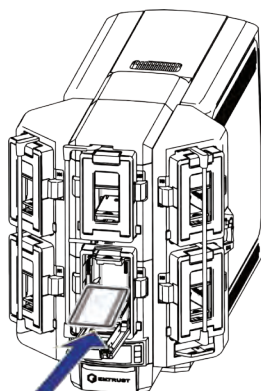
- e** Chargez la carte de nettoyage adhésive dans la cartouche H2 et fermez le capot de la cartouche.

Si la carte de nettoyage semble courbée, insérez-la comme indiqué.

Carte non courbée



Carte courbée



N'insérez pas la carte de nettoyage adhésive dans la glissière d'exception de la trémie multiple.

- f** Verrouillez la trémie multiple.

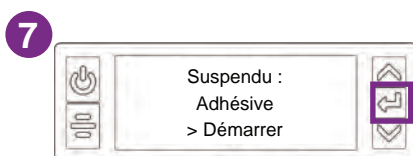
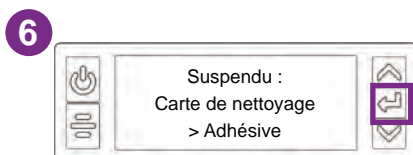
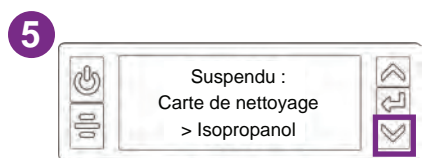
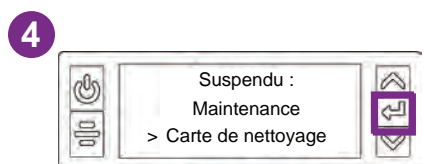
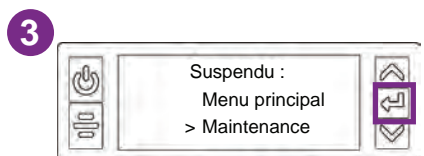
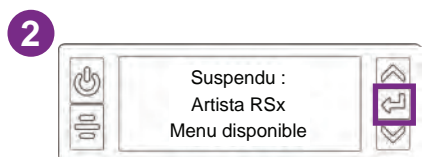
1. Tournez la barre de verrouillage centrale vers la droite jusqu'à la position de verrouillage.
2. Faites glisser le bouton de déverrouillage de la barre de verrouillage vers la droite pour verrouiller les barres de verrouillage en place.
3. Verrouillez le verrou du compartiment à plusieurs trémies.

- g** Passez à la section "[Passer la carte de nettoyage adhésive](#)" à la page 35.

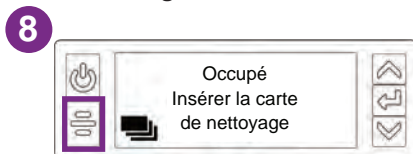
Utiliser la carte de nettoyage adhésive (suite)

Passer la carte de nettoyage adhésive

a Utilisez l'écran LCD pour passer la carte de nettoyage adhésive.

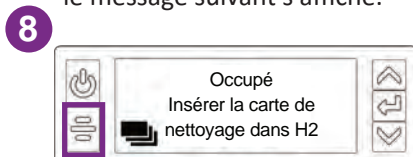


Si vous nettoyez une imprimante à trémie simple, le message suivant s'affiche.



OU

Si vous nettoyez une imprimante à plusieurs trémies, le message suivant s'affiche.



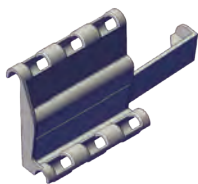
b Retirez la carte de nettoyage adhésive du bac de rejet de l'imprimante.

c Remplacez les cartouches d'alimentation, installez un manchon de nettoyage neuf et remplacez les cartes dans le bac d'entrée d'une imprimante à trémie simple, ou la cartouche H2 d'une imprimante à trémies multiples.

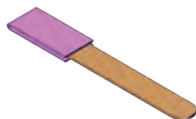
Nettoyer la tête d'impression

Nettoyez la tête d'impression chaque fois que vous changez le ruban encreur ou si vous constatez des problèmes de qualité d'impression.

Utilisez les éléments suivants pour nettoyer la tête d'impression.



Support pour
bâtonnet de rodage



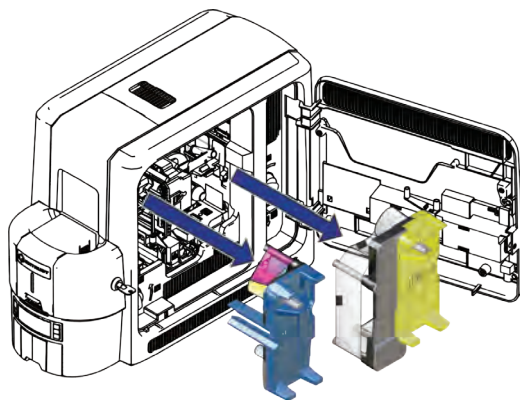
Bâtonnet de rodage



Tampon de nettoyage

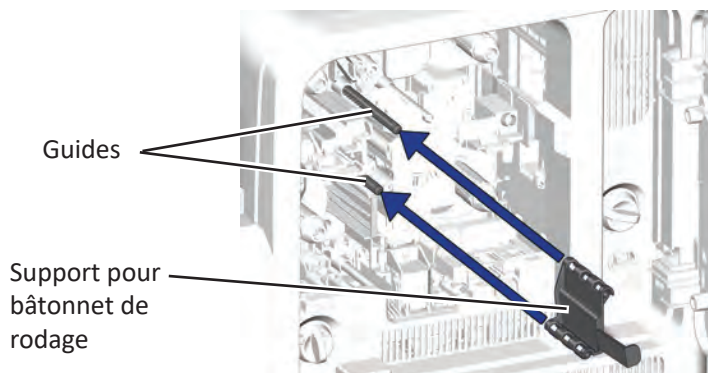
a

1. Éteignez l'imprimante et déverrouillez-la.
2. Ouvrez le capot d'accès à l'imprimante et retirez les cartouches de ruban encreur (C1) et de film de retransfert (C2).



Nettoyer la tête d'impression (suite)

- b** Insérez le support pour bâtonnet de rodage dans l'imprimante. Le support s'ajuste sur les guides de la cartouche et se glisse dans l'imprimante.



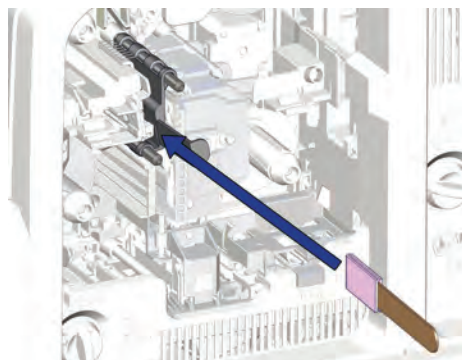
- c** Nettoyez la tête d'impression avec le bâtonnet de rodage.



Ne retirez pas le papier de rodage rose du bâtonnet.

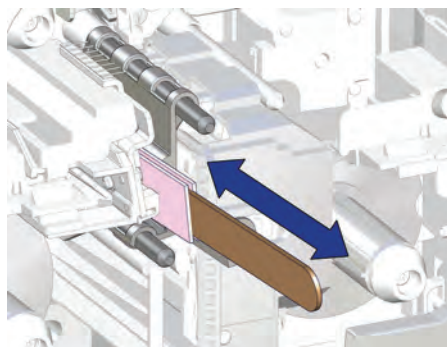


1. Insérez le bâtonnet de rodage dans la partie inférieure du support. Faites-le glisser jusqu'à ce qu'il s'arrête.



Nettoyer la tête d'impression (suite)

2. Déplacez le bâtonnet de rodage d'avant en arrière 3 fois pour nettoyer la tête d'impression.



3. Retirez le bâtonnet de rodage du support.

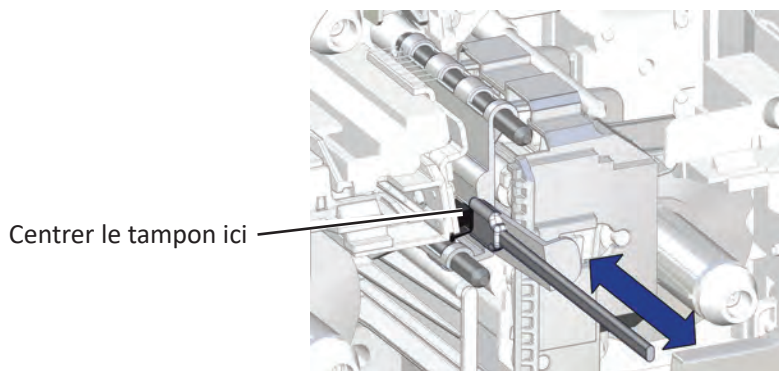


Vous pouvez utiliser le bâtonnet de rodage deux fois, un nettoyage par côté. Conservez le bâtonnet de rodage après la première utilisation.

d

Nettoyez la tête d'impression avec le tampon de nettoyage.

1. Ouvrez l'emballage du tampon de nettoyage.
2. Insérez le tampon de nettoyage dans le support. Centrez le tampon comme indiqué sur l'illustration (ou vers le haut de la poignée du support).



Nettoyer la tête d'impression (suite)

3. Déplacez le tampon de nettoyage d'avant en arrière 3 fois pour éliminer les débris restants de la zone de la tête d'impression.
4. Retirez le tampon de nettoyage du support.

e

Retirez le support de l'imprimante.



Ne jetez pas le support du bâtonnet de rodage. Conservez-le pour une utilisation ultérieure.

f

1. Remplacez les cartouches du ruban encreur et du film de retransfert, puis fermez et verrouillez l'imprimante.
2. Allumez l'imprimante.
3. Imprimez une ou plusieurs cartes de test pour vérifier la qualité de l'impression.

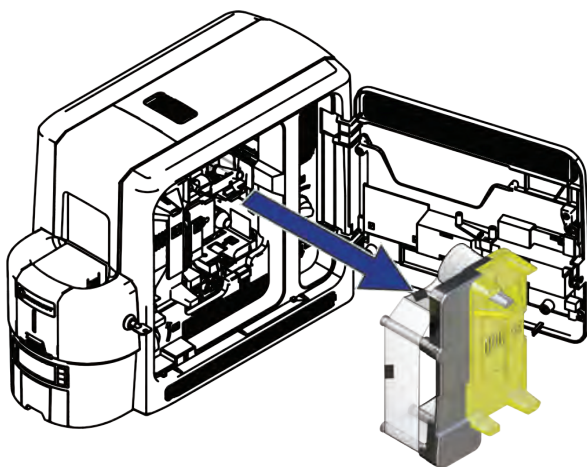


- Utilisez uniquement le bâtonnet de rodage et le tampon de nettoyage pour nettoyer la tête d'impression. Tout autre matériau pourrait adhérer à la tête d'impression et l'endommager.
- Jetez le bâtonnet de rodage après sa deuxième utilisation.
- N'utilisez le tampon de nettoyage qu'une seule fois. Jetez-le une fois le nettoyage de la tête d'impression terminé.

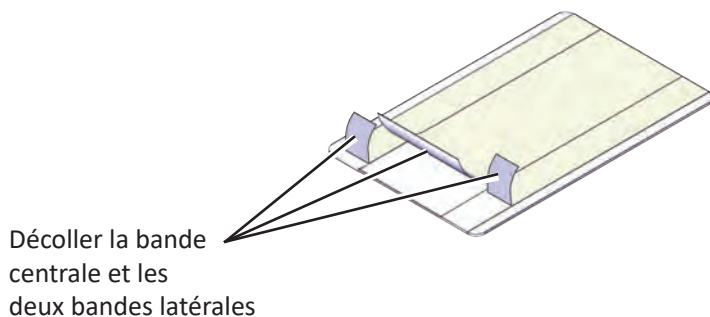
Nettoyer les rouleaux de la came de la tête d'impression

Utilisez la carte de nettoyage adhésive pour nettoyer les rouleaux de la came de la tête d'impression.

- a**
1. Éteignez l'imprimante.
 2. Déverrouillez l'imprimante et ouvrez son capot d'accès.
 3. Retirez la cartouche du film de retransfert (C2) de l'imprimante.

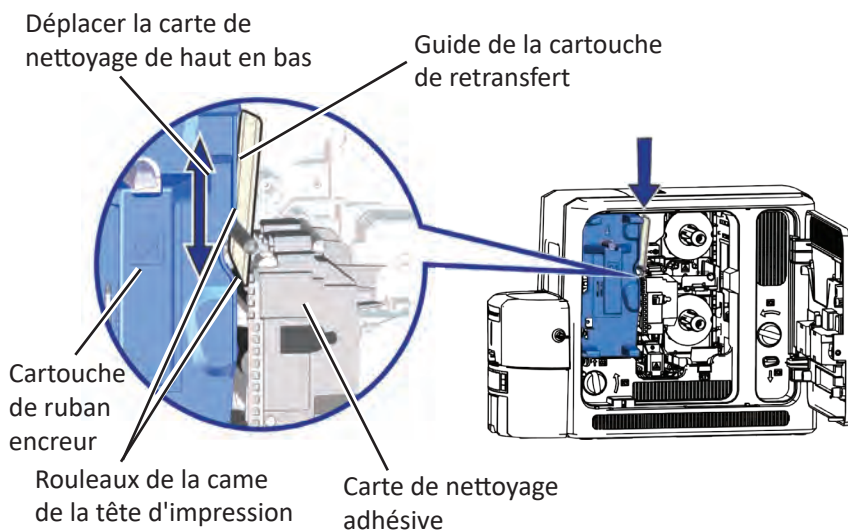


- b**
- Décollez les bandes centrales et latérales d'une seule face de la carte de nettoyage adhésive.



Nettoyer les rouleaux de la came de la tête d'impression (suite)

- C**
1. Insérez la carte de nettoyage dans l'imprimante entre le guide de la cartouche de retransfert et les rouleaux. Veillez à ce que la face adhésive de la carte soit orientée vers la droite et touche les rouleaux.
 2. Déplacez la carte de nettoyage de haut en bas le long des rouleaux pour éliminer les débris.



- d**
1. Remplacez la cartouche de film de retransfert.
 2. Fermez et verrouillez l'imprimante.
 3. Redémarrez l'imprimante.

- e**
1. Jetez la carte de nettoyage usagée.

Remarques

Remarques

AVERTISSEMENT : ce produit contient des produits chimiques, notamment du plomb, reconnu par l'État de Californie pour provoquer le cancer, des anomalies congénitales ou d'autres problèmes d'infertilité. ***Se laver les mains après toute manipulation.***



AVERTISSEMENT : ce produit peut vous exposer à des produits chimiques, notamment le phtalate de di-2-éthylhexyle, reconnu par l'État de Californie pour provoquer le cancer, et le phtalate de di-2-éthylhexyle (DEHP) et le phtalate de benzyle et de butyle (BBP), reconnus par l'État de Californie pour causer des anomalies congénitales ou autres problèmes d'infertilité. Pour plus d'informations, consultez les sites www.P65Warnings.ca.gov et <https://www.entrust.com/legal-compliance/environmental-product-certifications>.



ENTRUST

1187 Park Place

Minneapolis, Minnesota 55379

952 933 1223 • 952 933 7971 Fax

www.entrust.com

Entrust, Sigma et le logo hexagonal sont des marques commerciales, des marques déposées et/ou des marques de service, et Datacard est une marque déposée et une marque de service d'Entrust Corporation aux États-Unis et dans d'autres pays. Toutes les autres marques déposées appartiennent à leurs propriétaires respectifs.

© 2024. La conception et les informations contenues dans ces documents sont protégées



ENTRUST

ユーザーレファレンス ガイド

Entrust Artista® RS4 金融向け即時カード発行システム

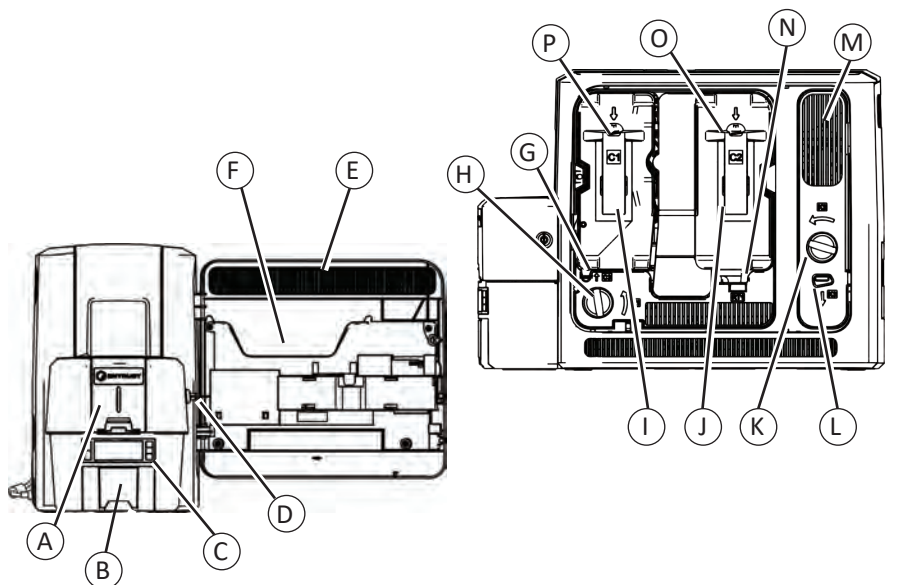
2024年10月

528505-001JA、Rev A

目次

RS4 金融向け即時カード発行システム.....	3
オプションのマルチホッパーを付けたRS4プリンタ	4
シングルホッパープリンターにカードを装填する	5
例外スロットを使用する.....	6
マルチホッパープリンターにカードを装填する	7
マルチホッパー例外スライドを使用する	9
カラーインクリボンの交換	10
クリーニングスリーブの交換.....	12
再転写フィルムの交換.....	14
リジェクトトレイを空にする.....	16
K1水平搬送カード詰まりの解消.....	17
K2垂直搬送カード詰まりの解消.....	19
フリッパーカード詰まりの解消.....	20
切れたリボンの修復	21
切れた再転写フィルムの修復.....	22
電源接続の確認.....	23
データ接続の確認.....	24
よくある LCD のメッセージ	25
印刷品質に関する一般的な問題.....	26
クリーニングスケジュール	27
イソプロパノールクリーニングカードの使用.....	28
粘着クリーニングカードの使用.....	32
プリントヘッドをクリーニングする	36
プリントヘッドカムローラーのクリーニング	40

RS4 金融向け即時カード発行システム



- | | |
|------------------------|------------------------|
| A 供給ホッパー | I インクリボンカートリッジ (C1) |
| B 出力ホッパー | J 再転写カートリッジ (C2) |
| C フロントパネル | K 手動送りノブ (K2) |
| D プリンターロック | L リアアクセスドアリリース (K3) |
| E プリンターのアクセスドア | M 垂直トランスポートエリア |
| F ユーザレファレンスガイドスロット | N リジェクトトレイ (RT1) |
| G クリーニングスピンドルハンドル (C3) | O 再転写フィルムカートリッジリリースボタン |
| H 手動送りノブ (K1) | P インクリボンカートリッジリリースボタン |

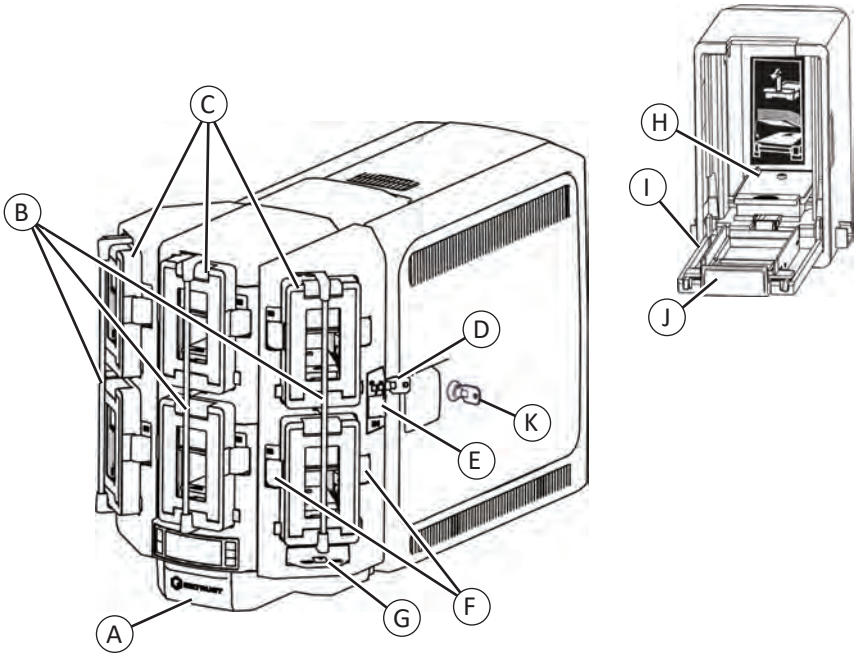
フロントパネル

LCD フロントパネル



Artista RS4 金融向け即時カード発行システム

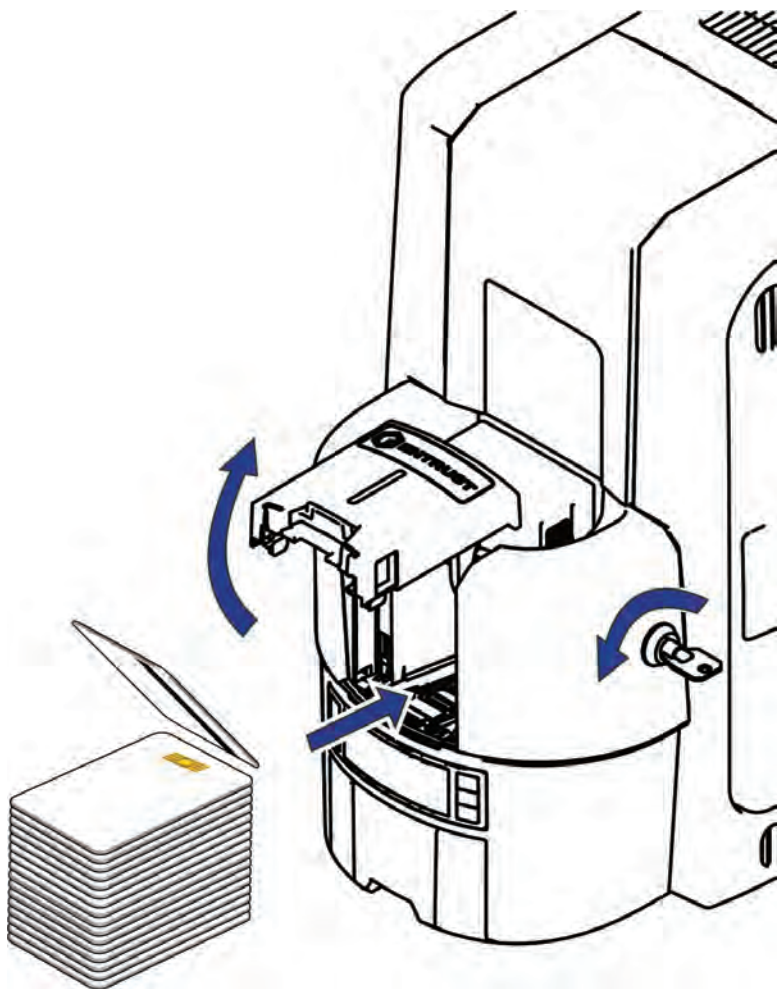
オプションのマルチホッパーを付けたRS4プリンタ



- A = 出力ホッパー
- B = ホッパーロックバー
- C = 供給ホッパー 1~6
- D = マルチホッパーロック
- E = ロックバーリリースボタン (B1)
- F = ホッパーカートリッジリリースボタン

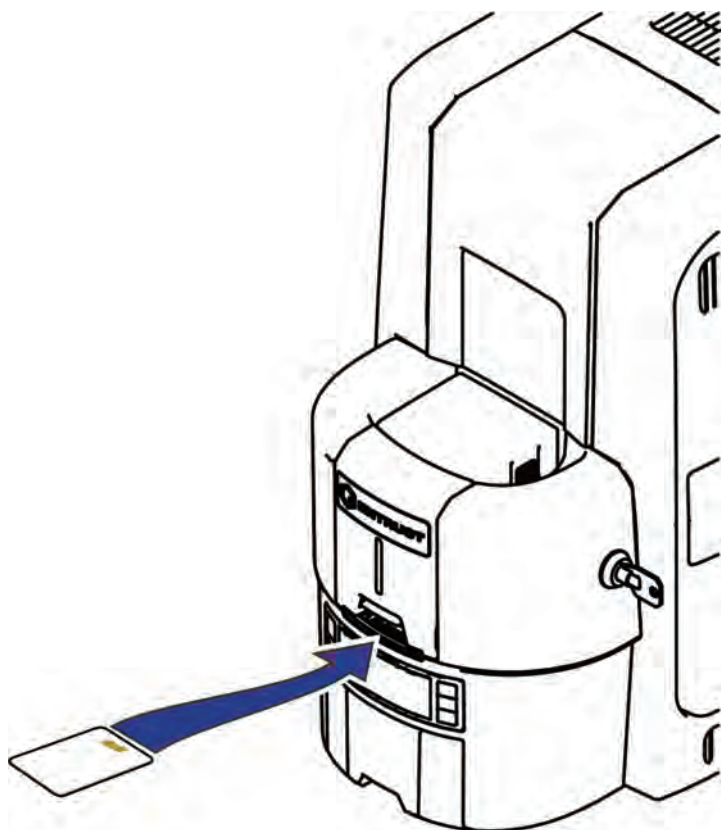
- G = 例外スライド
- H = カード押さえ
- I = カートリッジドア
- J = カートリッジドアリリースボタン
- K = プリンターロック

シングルホッパープリンターにカードを装填する



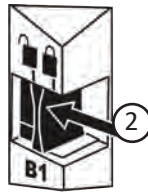
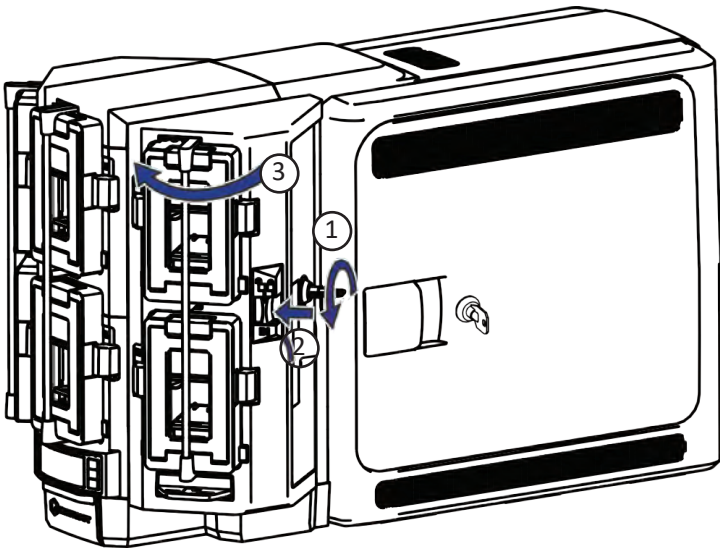
Artista RS4 金融向け即時カード発行システム

例外スロットを使用する



マルチホッパープリンターにカードを装填する

- a**
1. マルチホッパーのロックを解除します。
 2. ロックバーリリースボタン (B1) を左にスライドします。
 3. ロックバーを左に回します。

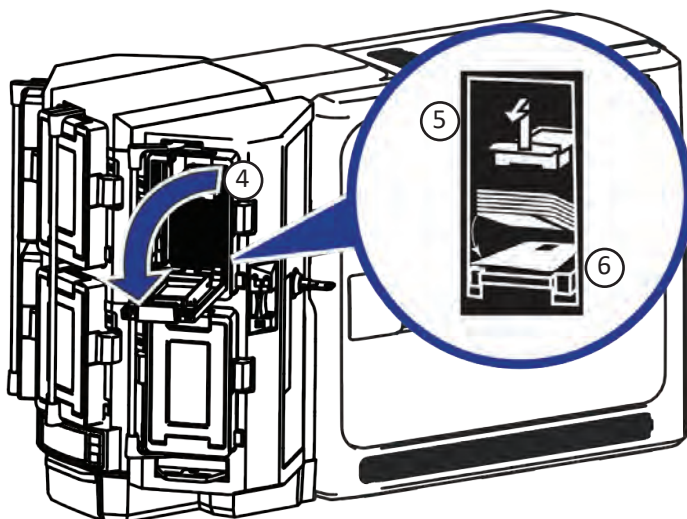


Artista RS4 金融向け即時カード発行システム

マルチホッパープリンターにカードを装填する（続き）

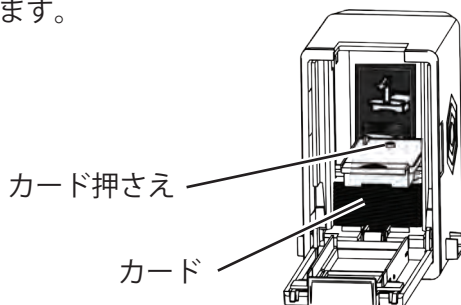
b

4. カートリッジ上部のカートリッジリリースボタンを押して、カートリッジドアを開きます。
5. カード押さえをカートリッジの上部まで持ち上げ、前方に引いて所定の位置にロックします。
6. カードをホッパーカートリッジに装填します。



c

カートリッジのドアを閉め、カードの押さえがカードの上部に来るようにします。

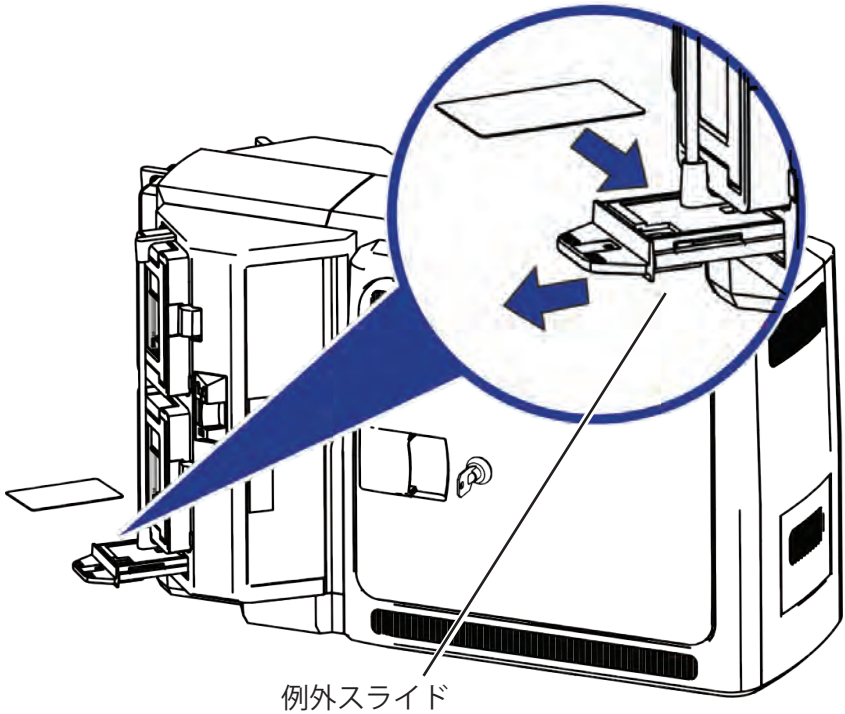


d

それぞれのカートリッジで同様の作業を繰り返します。
終了時には、すべてのロックをロック位置に戻します。

マルチホッパー例外スライドを使用する

- a** マルチホッパー例外スライドを引き出し、カードを挿入します。

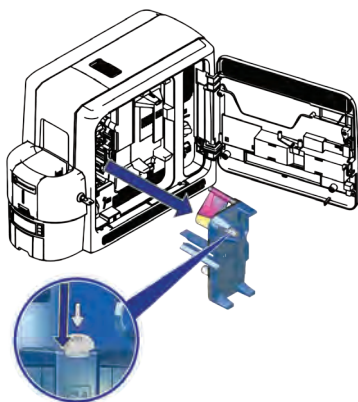


- b** 例外スライドを押し込みます。

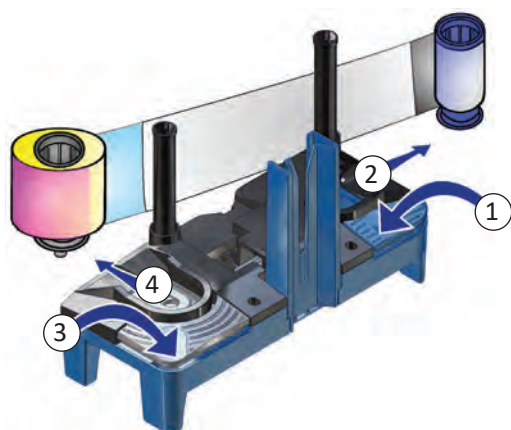
Artista RS4 金融向け即時カード発行システム

カラーインクリボンの交換

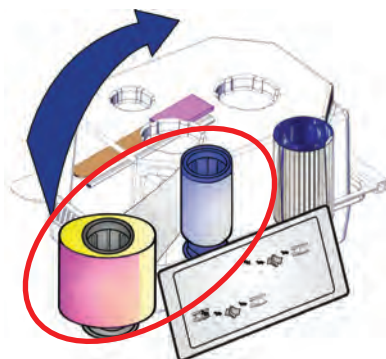
a



b



c

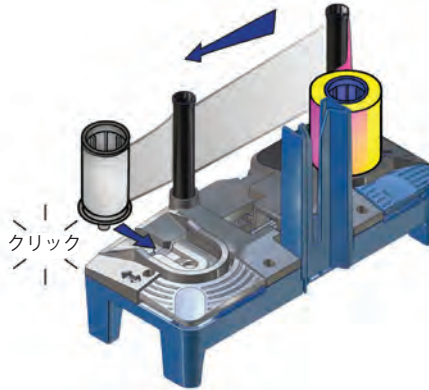


カラーインクリボンの交換（続き）

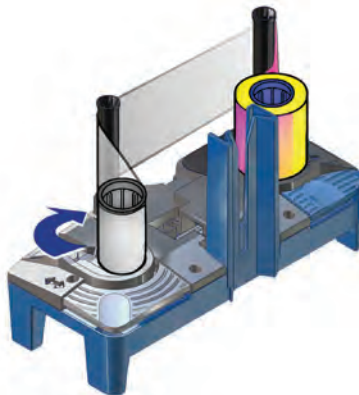
d



e



f

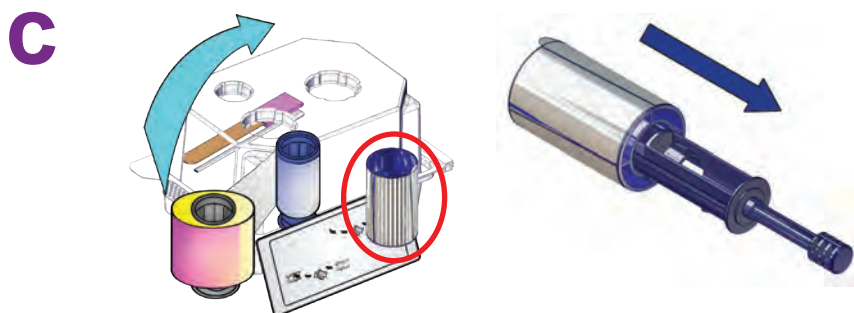
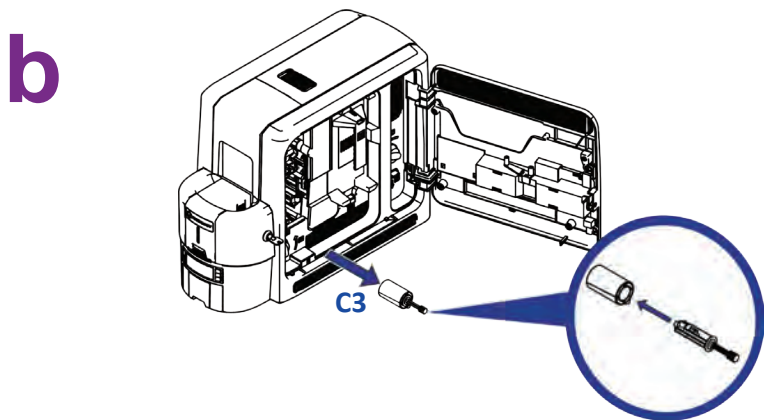
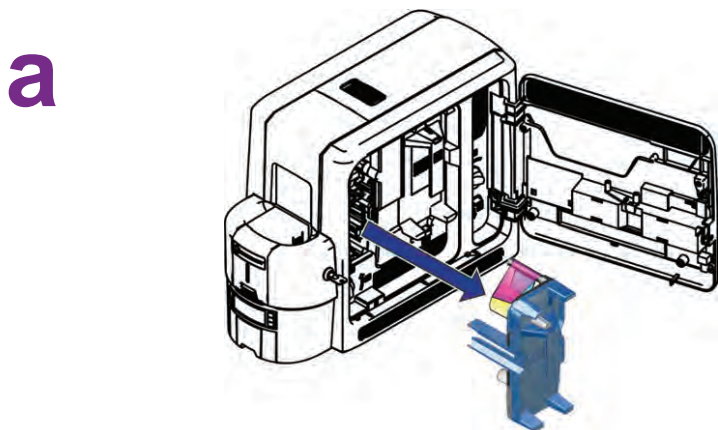


g

プリンターのリボンカートリッジを交換します。

Artista RS4 金融向け即時カード発行システム

クリーニングスリーブの交換

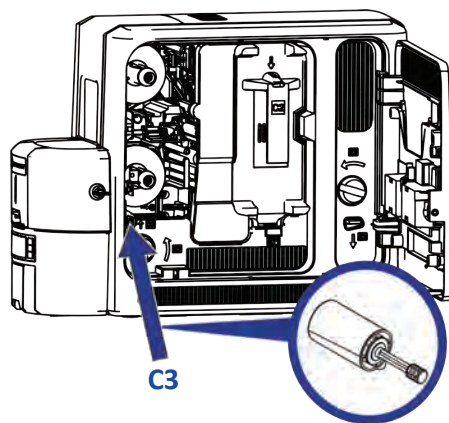


クリーニングスリーブの交換（続き）

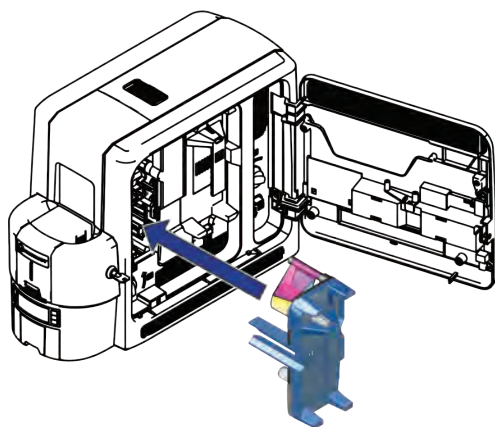
d



e



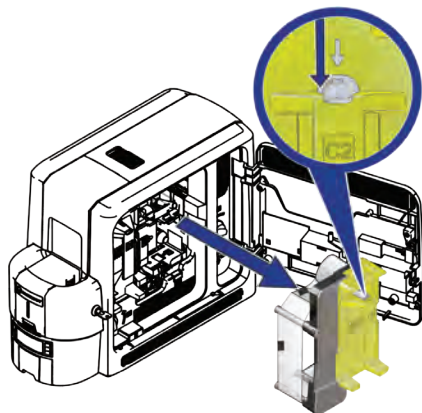
f



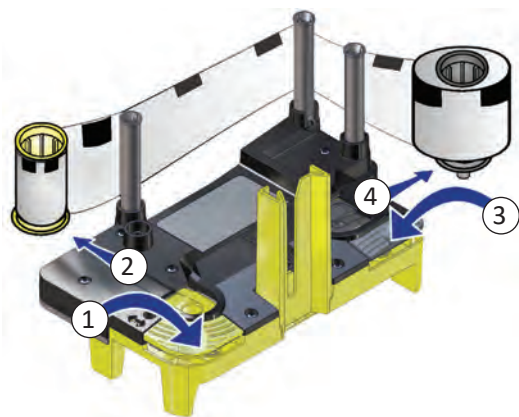
Artista RS4 金融向け即時カード発行システム

再転写フィルムの交換

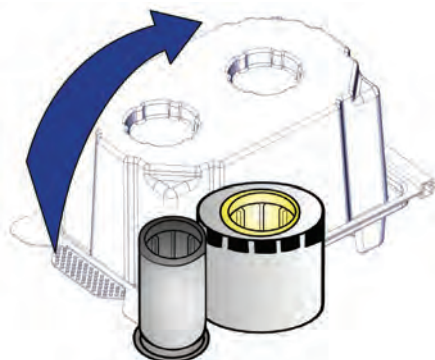
a



b

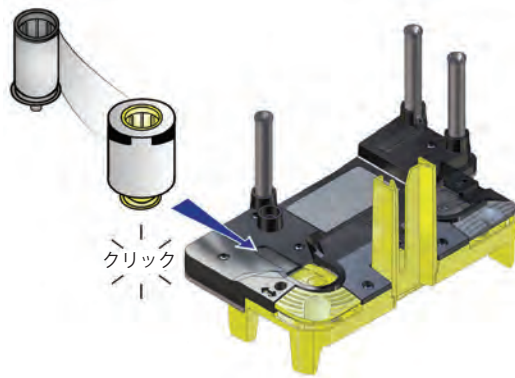


c

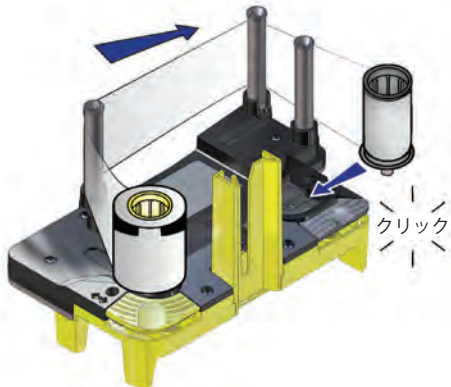


再転写フィルムの交換（続き）

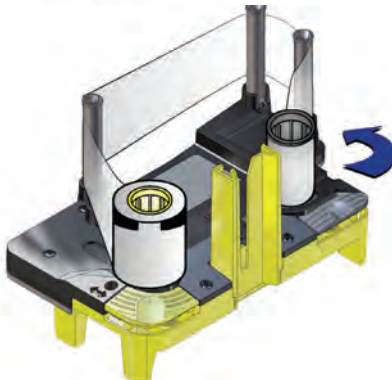
d



e



f



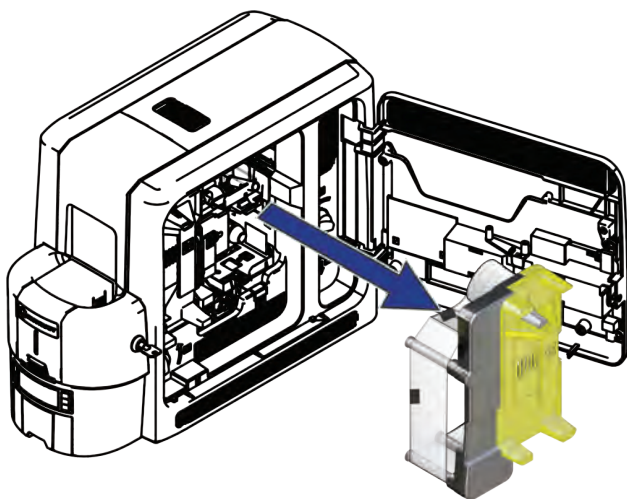
g

プリンターの再転写フィルムカートリッジを交換します。

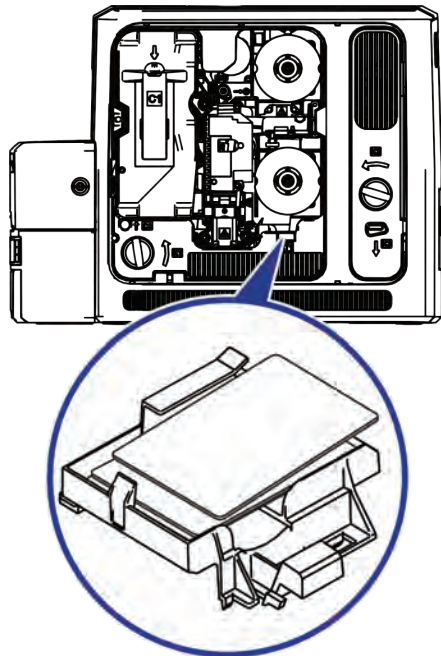
Artista RS4 金融向け即時カード発行システム

リジェクトトレイを空にする

a



b

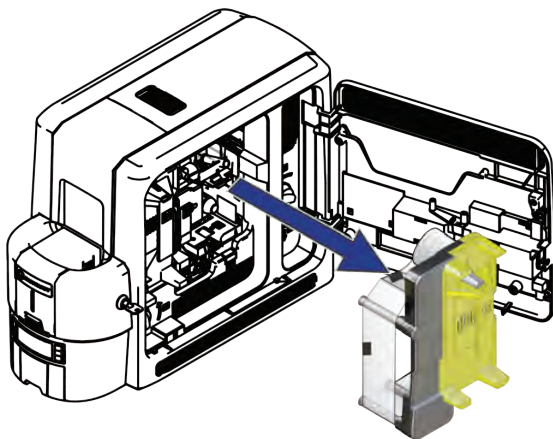


K1水平搬送カード詰まりの解消

シングルホッパープリンター

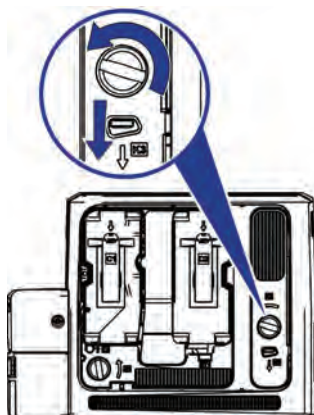
a プリンターのロックを解除し、プリンターアクセスドアを開きます。

再転写フィルムカートリッジを取り外します。



b K1手動送りノブを反時計方向に回して、詰まったカードを排出ホッパーまで送ります。

カードを排出ホッパーを通じて除去します。



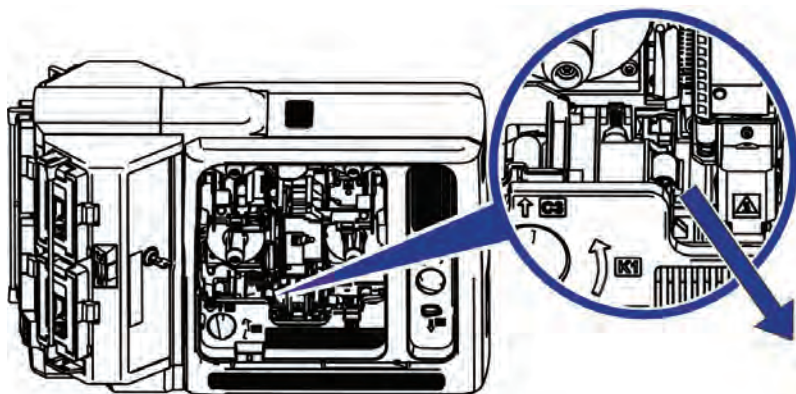
c 再転写フィルムカートリッジを交換し、プリンターを閉じてロックします。

Artista RS4 金融向け即時カード発行システム

K1水平搬送カード詰まりの解消（続き）

マルチホッパープリンター

- a**
1. プリンターのロックを解除し、プリンターアクセスドアを開きます。
 2. インクリボンと再転写フィルムカートリッジを取り外します。
 3. プリンタ内のカードの位置を確認します。カードにアクセスする際に必要であれば、K1 手動送りノブを回します。
 4. プリンターからカードを除去します。

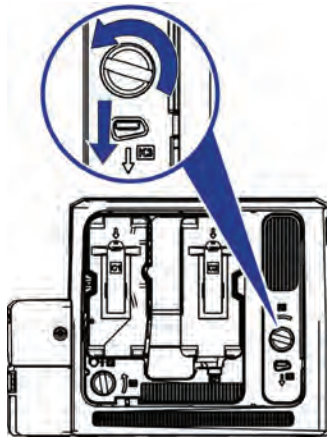


- b** カートリッジを交換し、プリンターを閉じてロックします。

K2垂直搬送カード詰まりの解消

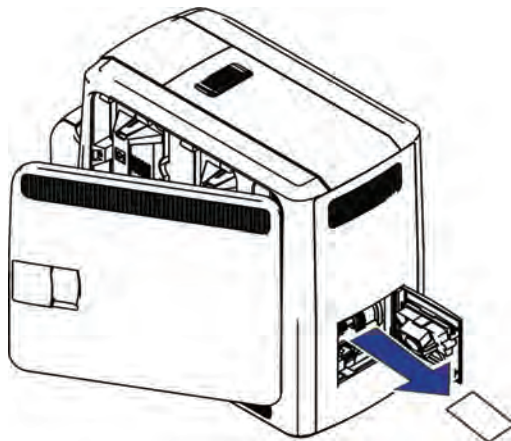
a

1. プリンターのロックを解除し、プリンターアクセスドアを開きます。
2. K3リアアクセスドアのリリースを押して後部アクセスドアを開けます。
3. K2 手動送りノブを反時計回りに回し、リアアクセスドアからカードを取り出せるようになるまで、垂直トランスポート内の詰まったカードを送ります。



b

リアアクセスドアからカードを取り外します。



c

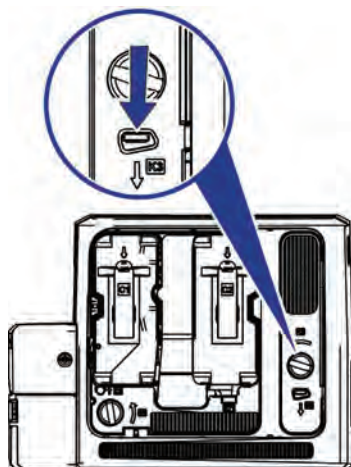
プリンタードアを閉じて、プリンターをロックします。

Artista RS4 金融向け即時カード発行システム

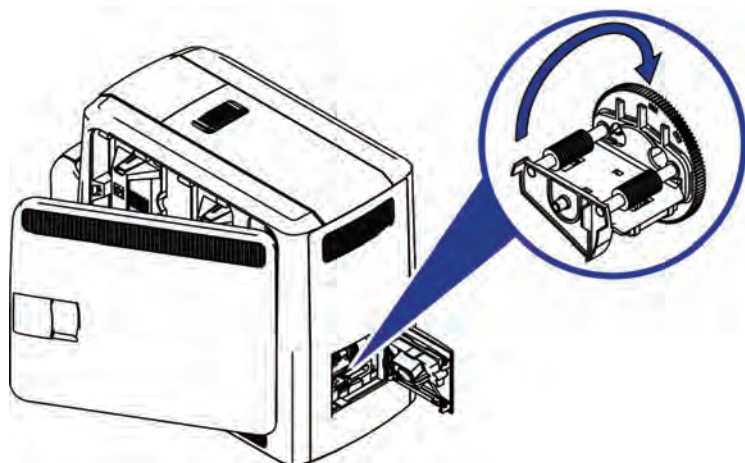
フリッパーカード詰まりの解消

a プリンターのロックを解除し、プリンターアクセスドアを開きます。

K3リアアクセスドアのリリースを押して後部アクセスドアを開けます。



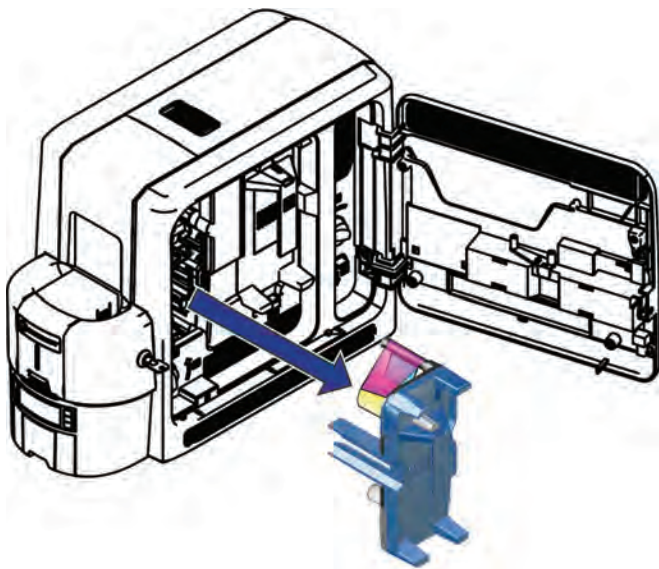
b カードが出てくるまで、フリッパーモジュールを回します。
リアアクセスドアからカードを取り外します。



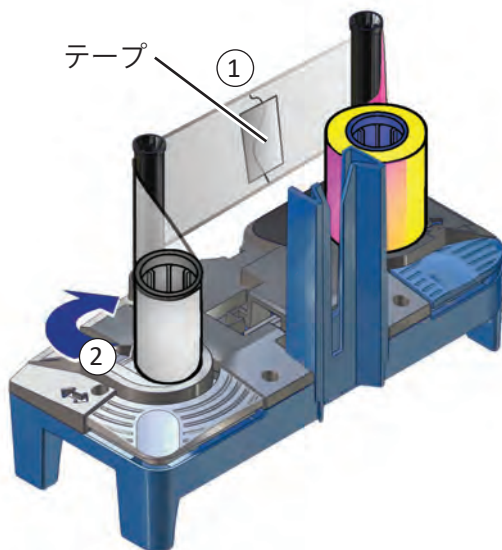
c プリンタードアを閉じて、プリンターをロックします。

切れたリボンの修復

a



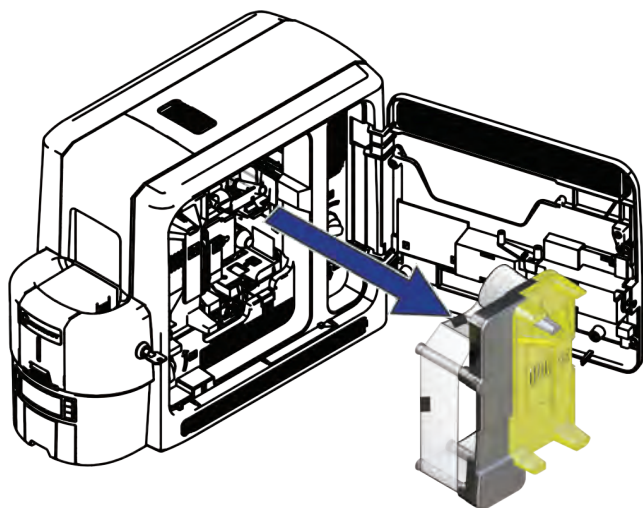
b



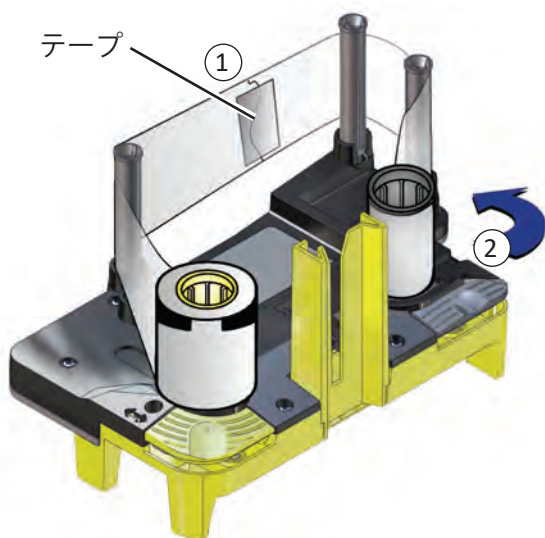
Artista RS4 金融向け即時カード発行システム

切れた再転写フィルムの修復

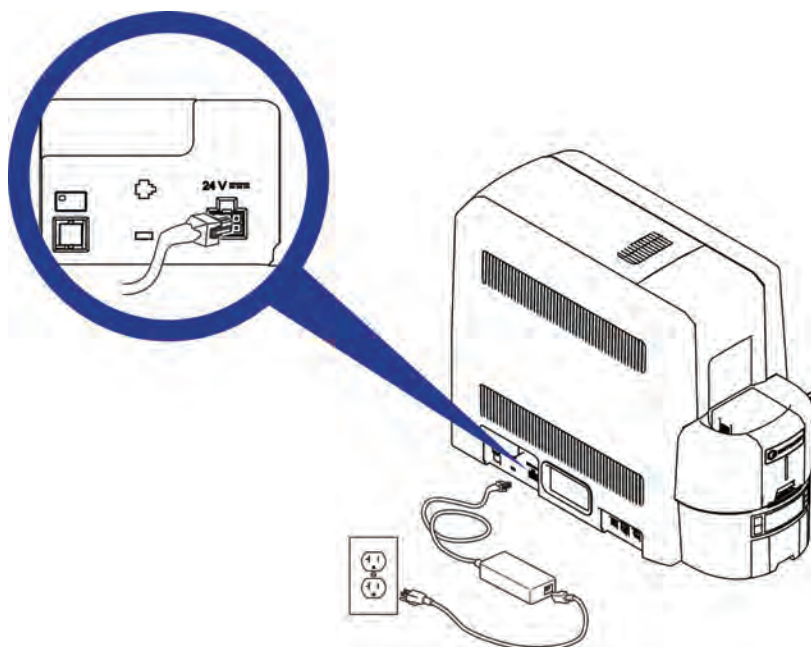
a



b

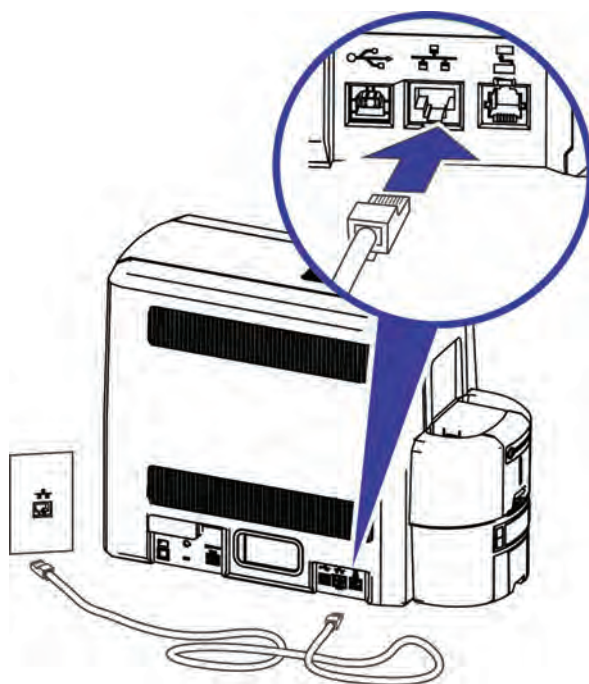


電源接続の確認



Artista RS4 金融向け即時カード発行システム

データ接続の確認



よくある LCD のメッセージ

エラー メッセージ	参照：
112: カードホッパーが空です	「シングルホッパープリンターにカードを装填する」 ページ 5 「例外スロットを使用する」 ページ 6 「マルチホッパープリンターにカードを装填する」 ページ 7 「マルチホッパー例外スライドを使用する」 ページ 9
166: C2サプライがないか、使い切りました	「再転写フィルムの交換」 ページ 14
167: C2サプライが識別されていません	
168: C2サプライがサポート対象外です	
172: 不適切なシャットダウン	「電源接続の確認」 ページ 23 「データ接続の確認」 ページ 24
175: C2サプライエラー	「切れた再転写フィルムの修復」 ページ 22
234: K1トランスポートカード詰まり	「K1水平搬送カード詰まりの解消」 ページ 17
235: K2トランスポートカード詰まり	「K2垂直搬送カード詰まりの解消」 ページ 19
236: フリッパーモジュールの回転エラー	「フリッパーカード詰まりの解消」 ページ 20
237: C1サプライがないか、使い切りました	「カラーインクリボンの交換」 ページ 10 「クリーニングスリーブの交換」 ページ 12
238: C1サプライが識別されていません	
239: C1サプライがサポート対象外です	
240: C1サプライエラー	「切れたリボンの修復」 ページ 21
242: RT1リジェクトトレイ満杯	「リジェクトトレイを空にする」 ページ 16
277: マルチホッパーピックエラー	「マルチホッパープリンターにカードを装填する」 ページ 7

Artista RS4 金融向け即時カード発行システム

印刷品質に関する一般的な問題

問題	原因	ソリューション
カード上の非リピートカードドット	インクリボンまたは再転写フィルム上の埃	<ul style="list-style-type: none">• 供給を進めるか、または• 「カラーインクリボンの交換」ページ 10• 「再転写フィルムの交換」ページ 14
カードにしわが発生する	供給品にしわがある	<ul style="list-style-type: none">• 供給を進めるか、または• 「カラーインクリボンの交換」ページ 10• 「再転写フィルムの交換」ページ 14
画像が不鮮明または変色している カードに一部印刷されていない部分がある	<ul style="list-style-type: none">• カード上の指紋、ゴミ、傷• プリンター内にゴミがある• プリントヘッドが汚れている	<ul style="list-style-type: none">• カードが汚れていないことを確認します。• プリンターをクリーニングします。「クリーニングスケジュール」を参照 ページ 27• 「クリーニングスリーブの交換」ページ 12• 「プリントヘッドのクリーニング」ページ 36
複数カード上の非リピートカードドット	カムローラー上に付着した埃またはゴミ	「プリントヘッドカムローラーのクリーニング」 ページ 40
カードに色や白の筋が出る	プリントヘッドに埃やゴミが付着している	<ul style="list-style-type: none">• 別のカードを印刷し、問題が再現するか確認します。• 「プリントヘッドのクリーニング」ページ 36

- その他のトラブルシューティング情報については、*CR825 and CE875 Instant Issuance System User's Guide* (CR825 and CE875即時カード発行システムユーザガイド) を参照してください。
- また、プリンタのメンテナンスに関する推奨ベストプラクティスについては、「クリーニングスケジュール」 ページ 27 を参照してください。

クリーニングスケジュール

プリンタのメンテナンスと最高の印刷品質を得るために、推奨クリーニングスケジュールに従ってください。

スケジュール	アクション	手順
インクリボンの交換の際は	イソプロパノールクリーニングカードでプリンタのクリーニングを行います。	<ul style="list-style-type: none">「シングルホッパープリンター」 ページ 28「マルチホッパープリンター」 ページ 29
	クリーニングスリーブの交換 (C3)	「クリーニングスリーブの交換」 ページ 12
	プリントヘッドをクリーニングします。	「プリントヘッドのクリーニング」 ページ 36
完成したカードに異物がある場合	クリーニングスリーブの交換 (C3)	「クリーニングスリーブの交換」 ページ 12
	粘着クリーニングカードでプリンタのクリーニングを行います。	<ul style="list-style-type: none">「シングルホッパープリンター」 ページ 32「マルチホッパープリンター」 ページ 33
印刷したカードに色や白い線が出る場合	プリントヘッドをクリーニングします。	「プリントヘッドのクリーニング」 ページ 36
印刷したカードに繰り返し色の点が出る場合	プリントヘッドカムローラーのクリーニングを行います。	「プリントヘッドカムローラーのクリーニング」 ページ 40



イソプロパノールまたは粘着クリーニングカードを使用してプリンタのクリーニングを行う場合は、インクリボン (C1) と再転写フィルム (C2) のカートリッジとクリーニングスリーブを取り外してください。

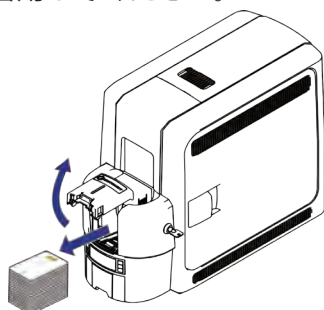
イソプロパノールクリーニングカードの使用

イソプロパノールクリーニングカードを使用してプリンタのクリーニングを行います。「クリーニングスケジュール」のページを27参照してください。

シングルホッパープリンター

a プリンタのロックを解除し、供給カートリッジとクリーニングスリーブを取り外します。

供給ホッパーを開いて、印刷されていないカードをすべて取り外します。カードは端を持って取り扱うか、カード検査用手袋を着用してください。



b クリーニングカードのパッケージを開け、イソプロパノールクリーニングカードを取り出します。

イソプロパノールクリーニングカード

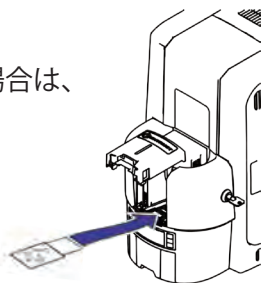


c クリーニングカードを供給ホッパーに装填します。

クリーニングカードが反っている場合は、図のように挿入してください。

反っていないカード

反っているカード



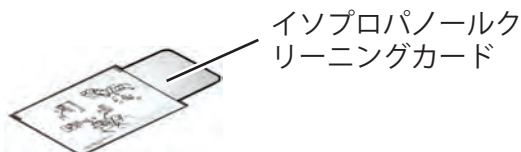
d 供給ホッパーを閉じてプリンターをロックします。
「イソプロパノールクリーニングカードの実行」ページ30に進みます。

イソプロパノールクリーニングカードの使用（続き）

マルチホッパープリンター

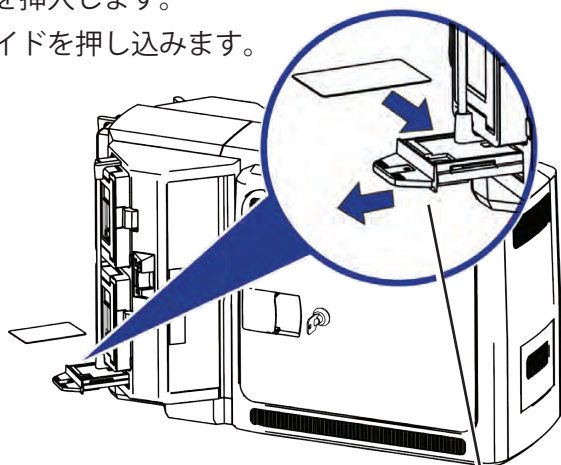
a プリンターのロックを解除し、供給カートリッジとクリーニングスリーブを取り外します。

b パッケージからクリーニングカードを取り出します。



c 1. マルチホッパー例外スライドを引き出し、クリーニングカードを挿入します。

2. 例外スライドを押し込みます。



クリーニングカードが反っている場合は、図のように挿入してください。

例外スライド

反っていないカード

反っているカード



d 「イソプロパノールクリーニングカードの実行」 ページ30に進みます。

Artista RS4 金融向け即時カード発行システム

イソプロパノールクリーニングカードの使用（続き）

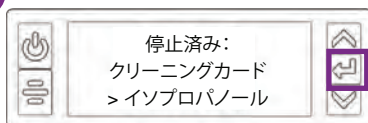
イソプロパノールクリーニングカードの実行

a LCDパネルを使用して、イソプロパノールクリーニングカードを実行します。

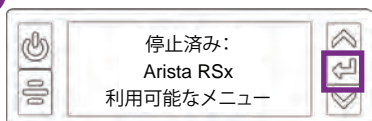
1



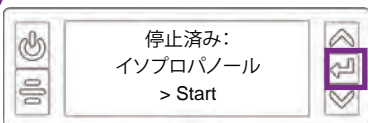
5



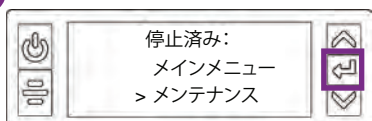
2



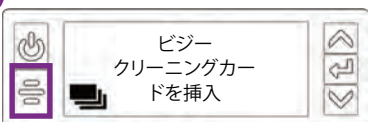
6



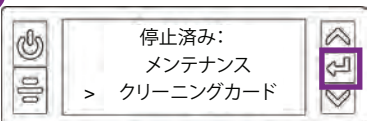
3



7



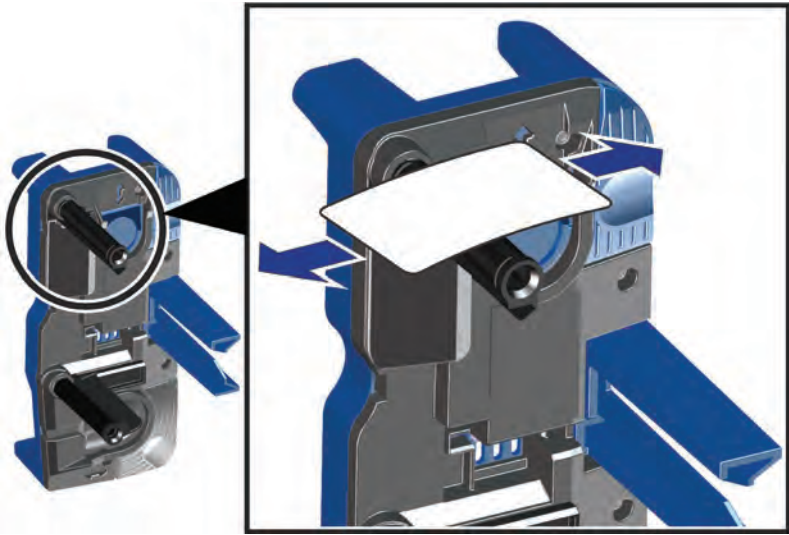
4



クリーニングカードはプリンタリジエクトトレイ（RT1）に排出されます。クリーニングカードを取り出して保存し、上部リボンガイドのクリーニングを行います。

イソプロパノールクリーニングカードの使用（続き）

- b** クリーニングカードでプリンタのクリーニングを行った後、リボンカートリッジの上部リボンガイドポストに付着したゴミを拭き取るために再利用してください。



- C** プリンター内の供給カートリッジ、およびシングル供給ホッパー内のカードを交換します。

粘着クリーニングカードの使用

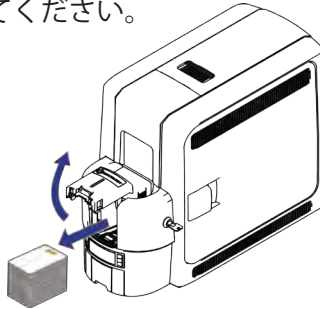
粘着クリーニングカードを使用して、再転写プロセスで生じた異物を除去してください。粘着クリーニングカードの使用時期については、「[クリーニングスケジュール](#)」ページ27を参照してください。

シングルホッパープリンター

a

プリンターのロックを解除し、供給カートリッジとクリーニングスリーブを取り外します。

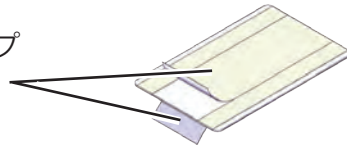
供給ホッパーを開いて、印刷されていないカードをすべて取り外します。カードは端を持って取り扱うか、カード検査用手袋を着用してください。



b

粘着クリーニングカード両面の中央にあるストリップをはがします。サイドストリップはそのまましておきます。

中央のストリップ
のみはがします



c

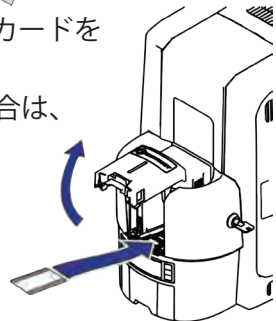
供給ホッパー内に粘着クリーニングカードを装填します。

クリーニングカードが反っている場合は、図のように挿入してください。

反っていないカード



反っているカード



d

供給ホッパーを閉じてプリンターをロックします。

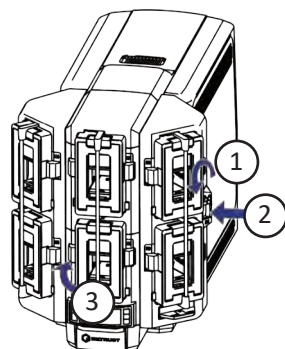
「[粘着クリーニングカードを実行する](#)」ページ35に進みます。

粘着クリーニングカードの使用（続き。）

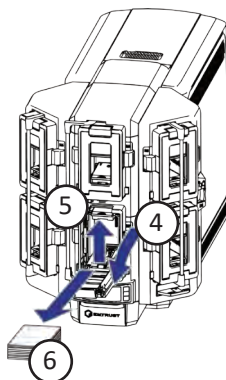
マルチホッパープリンター

a プリンターのロックを解除し、供給カートリッジとクリーニングスリーブを取り外します。

- b**
1. マルチホッパードアのロックを解除します。
 2. ロックバー解除ボタン（B1）を左にスライドし、ホッパーロックバーを解除します。
 3. 中央ロックバーを左に回し、装填するH2とH5マルチホッパー供給カートリッジに届くようにします。



- c**
4. H2カートリッジ上部のカートリッジリリースボタンを押して、カートリッジドアを開きます。
 5. カード押さえをカートリッジの上部まで持ち上げ、ゆっくりと前方に引いて所定の位置にロックします。
 6. H2カートリッジから印刷していないカードを取り出します。カードは端を持って取り扱うか、カード検査用手袋を着用してください。

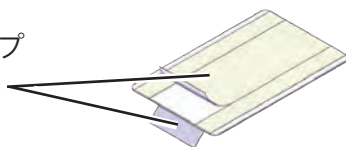


Artista RS4 金融向け即時カード発行システム


粘着クリーニングカードの使用（続き。）

d 粘着クリーニングカード両面の中央にあるストリップをはがします。サイドストリップはそのままにしておきます。

中央のストリップ
のみはがします



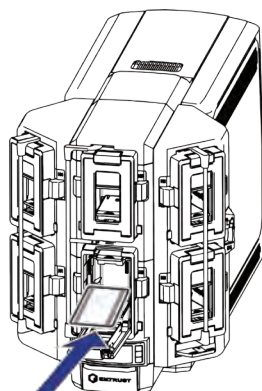
e 粘着クリーニングカードをH2カートリッジに装填し、カートリッジドアを閉じます。

クリーニングカードが反っている場合は、のように挿入してください。

反っていないカード



反っているカード



粘着クリーニングカードをマルチホッパーの例外スライドに挿入しないでください。

f

マルチホッパーをロックします。

1. 中央ロックバーを右に回してロック位置に合わせます。
2. ロックバーリリースボタンを右にスライドしてロックバーを所定の位置に固定します。
3. マルチホッパードアをロックします。



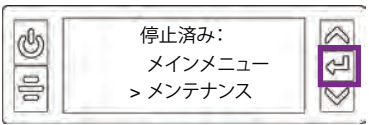
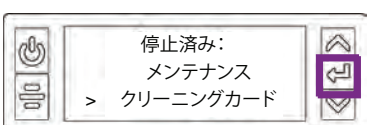
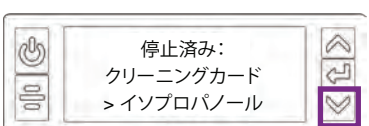
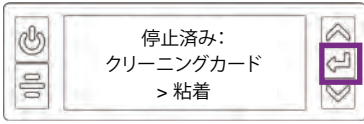
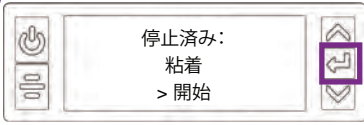
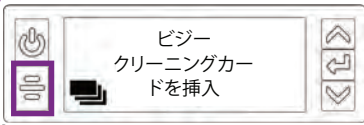
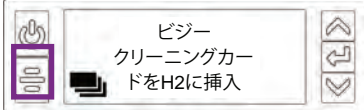
g

「粘着クリーニングカードを実行する」ページ35に進みます。

粘着クリーニングカードの使用（続き。）

粘着クリーニングカードの実行

a LCDパネルを使用して、粘着クリーニングカードを実行します。

- 1 
 - 2 
 - 3 
 - 4 
 - 5 
 - 6 
 - 7 
 - 8 
- または
- 8 

シングルホッパープリンタのクリーニングを行っている場合、以下のメッセージが表示されます。

マルチホッパープリンタのクリーニングを行っている場合は、以下のメッセージが表示されます。

b プリンタのリジェクトトレイから粘着クリーニングカードを取り出します。

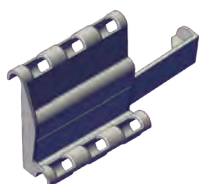
c サプライカートリッジを交換して新しいクリーニングスリーブを取り付けます。シングルホッパープリンタの場合は供給ホッパーのカードを、マルチホッパープリンタの場合はH2カートリッジを交換してください。

Artista RS4 金融向け即時カード発行システム

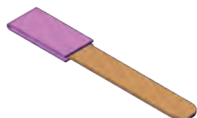
プリントヘッドをクリーニングする

プリントヘッドの清掃は、毎回のインクリボンを交換時、または印刷品質に問題がある場合に行ってください。

プリントヘッドをクリーニングするには、次の手順を用います。



ラッピングスティックサポート



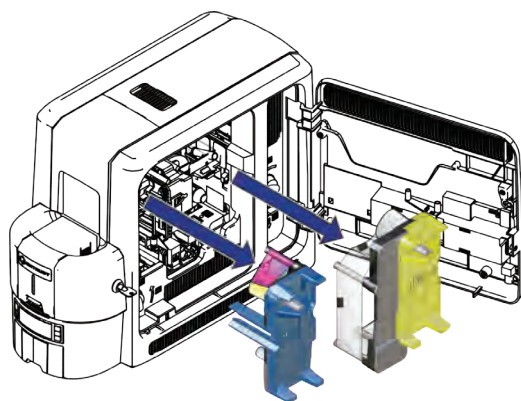
ラッピングスティック



クリーニング綿棒

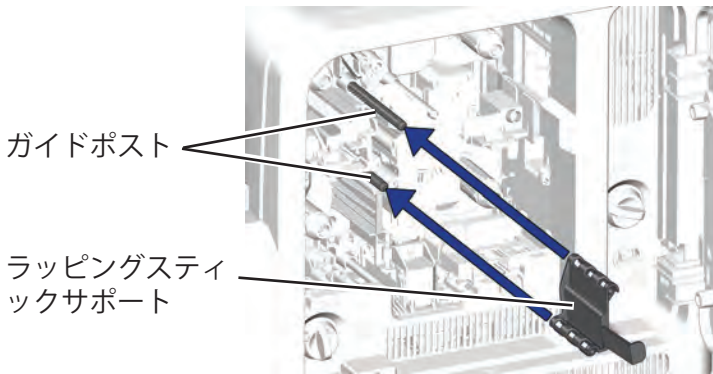
a

1. プリンターの電源を切り、ロックを解除します。
2. プリンターのアクセスドアを開き、インクリボン (c1) と再転写フィルム (c2) カートリッジを取り外します。



プリントヘッドのクリーニング（続き）

- b** ラッピングスティックサポートをプリンタに挿入します。サポートツールをカートリッジのガイドポストの上にはめ込み、プリンターにスライドさせます。



- c** ラッピングスティックでプリントヘッドのクリーニングを行います。

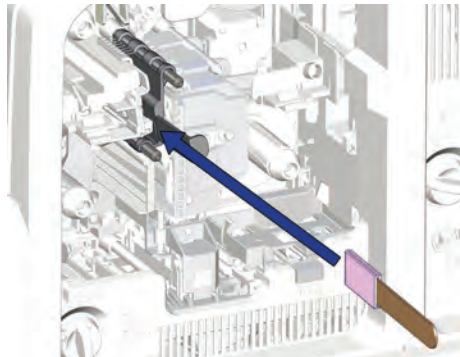


ラッピングスティックからピンクのラッピングペーパーを外さないでください。



ラッピングペーパー

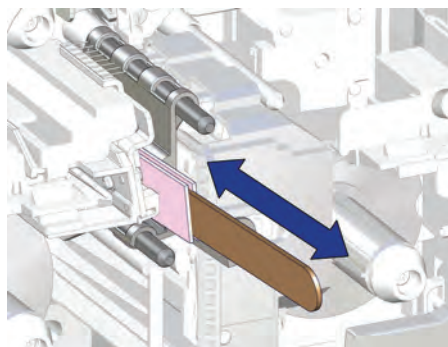
1. ラッピングスティックをサポートツールの下部に挿入します。止まるまでスライドさせます。



Artista RS4 金融向け即時カード発行システム

プリントヘッドのクリーニング（続き）

2. ラッピングスティックを3回前後に動かしてプリントヘッドをクリーニングします。



3. ラッピングスティックをサポートツールから取り外します。



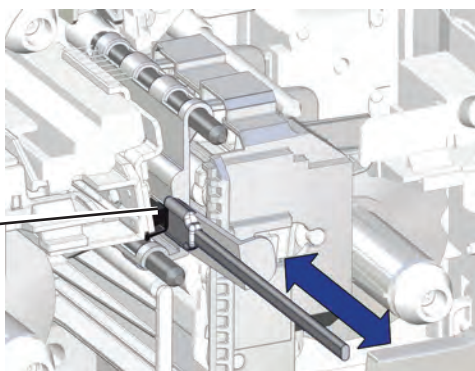
ラッピングスティックは1回に片面ずつ、合計2回使用できます。ラッピングスティックは2回目の使用に備えて、保管しておいてください。

d

掃除用綿棒でプリントヘッドのクリーニングを行います。

1. 掃除用綿棒のパッケージを開封します。
2. 掃除用綿棒をサポートツールに挿入します。図のように綿棒を中央に置きます（またはサポートツールのハンドル上部に向けます）。

センター綿棒はこちら



プリントヘッドのクリーニング（続き）

3. 掃除用綿棒を前後に3回動かし、プリントヘッド部分に残ったゴミを取り除きます。
4. 掃除用綿棒をサポートツールから外します。

e

プリンターからサポートツールを外します。



ラッピングスティックのサポートツールは捨てないでください。今後のクリーニングに備えて、保管してください。

f

1. インクリボンと再転写フィルムカートリッジを交換し、プリンターのアクセスドアを閉じてロックします。
2. プリンターの電源を入れます。
3. 1枚またはそれ以上のテストカードを印刷し、印刷品質を確認します。



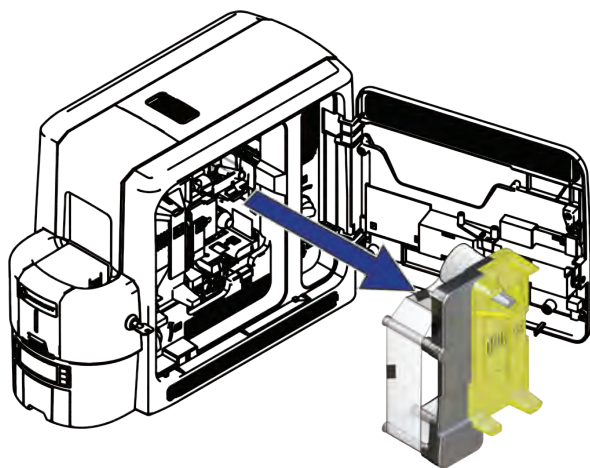
- プrintヘッドのクリーニングを行う際は、クリーニング用綿棒のみを使用してください。他の素材を使用すると、プリントヘッドに付着して損傷する可能性があります。
- 2回目の使用後はラッピングスティックを廃棄してください。
- クリーニング用綿棒は1回限りの使用です。プリントヘッドをクリーニングした後は、綿棒を廃棄してください。

Artista RS4 金融向け即時カード発行システム

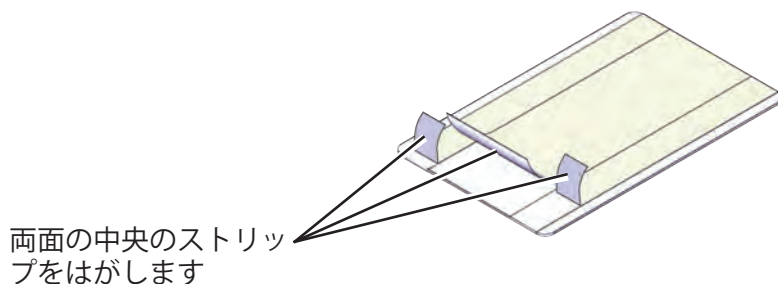
プリントヘッドカムローラーのクリーニング

粘着クリーニングカードを使用してプリントヘッドカムローラーのクリーニングを行います。

- a**
1. プリンターの電源を切ります。
 2. プリンターのロックを解除し、プリンターアクセスドアを開きます。
 3. プリンターから再転写フィルムカートリッジ (c2) を取り外します。



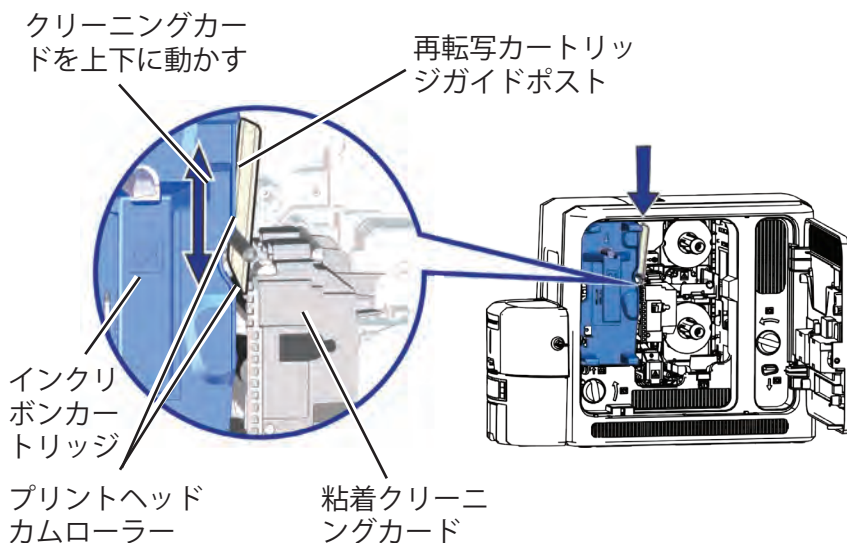
- b**
- 粘着クリーニングカード両面の中央にあるストリップを片面ずつはがします。



両面の中央のストリップをはがします

プリントヘッドカムローラーのクリーニング (続き)

- C**
1. クリーニングカードをプリンターの再転写カートリッジのガイドポストとローラーの間に差し込みます。カードの粘着面が右を向き、ローラーに接触しているか確認してください。
 2. クリーニングカードをローラーに沿って上下に動かし、ゴミを取り除きます。



- d**
1. 再転写フィルムカートリッジを交換します。
 2. プリンターを閉じてロックします。
 3. プリンターを再起動します。

- e** 使用済みのクリーニングカードを廃棄します。

注

注

警告：この製品には化学物質が含まれており、その中にはカリフォルニア州でがん、先天性欠損症、またはその他の生殖障害を引き起こすことが知られている鉛も含まれます。**取り扱い後は手を洗淨してください。**



警告：この製品により、カリフォルニア州当局によってその発がん性が明らかにされているフタル酸ジ (2-エチルヘキシル) (DEHP)、さらにカリフォルニア州当局により先天性欠損症をはじめとする生殖機能の異常を引き起こすことが明らかにされているフタル酸ジ (2-エチルヘキシル) (DEHP) およびフタル酸ブチルベンジル (BBP) などの化学物質に暴露する可能性があります。詳しくは、www.P65Warnings.ca.gov および <https://www.entrust.com/legal-compliance/environmental-product-certifications> をご覧ください。



ENTRUST

1187 Park Place

ミネソタ州ミネアポリス 55379

952.933.1223 • 952.933.7971 ファックス

www.entrust.com

Entrust、Sigma、六角形のロゴは、米国およびその他の国における Entrust Corporation の商標、登録商標およびサービスマーク、またはそのいずれかであり、Datacard は同社の登録商標、サービスマークです。他のすべての商標は、それぞれの所有者に帰属します。

© 2024. これらの資料に含まれるデザインおよび情報は保護されています



ENTRUST

사용자 참고 가이드

사용자 참고 가이드

**Entrust Artista® RS4 Instant
Financial Issuance System**



2024년 10월

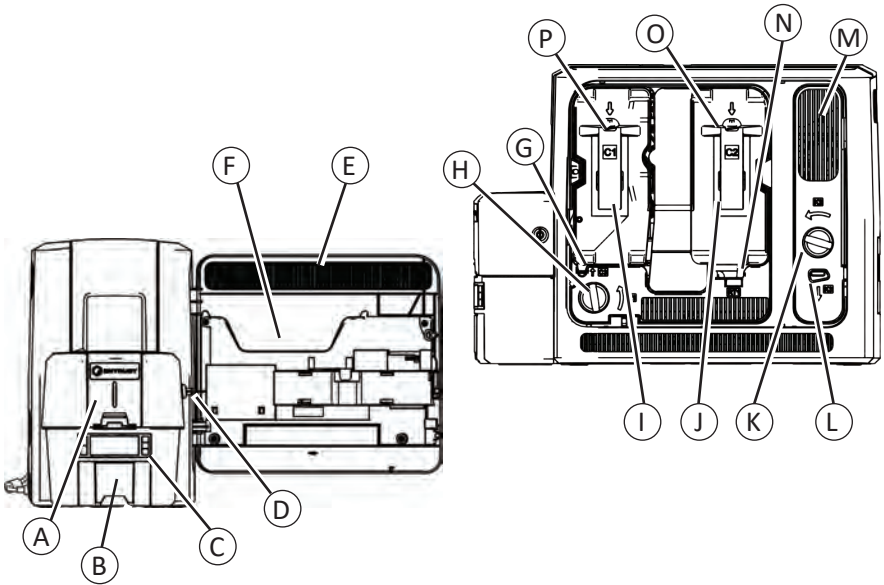
528505-001KR, 개정 A

Artista RS4 Instant Financial Issuance System

목차

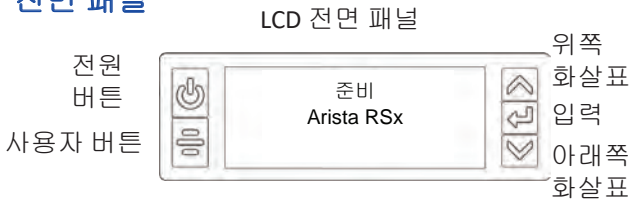
RS4 Instant Financial Issuance System	3
멀티 호퍼 옵션이 있는 RS4 프린터	4
단일 호퍼 프린터에 카드 로드	5
예외 슬롯 사용	6
멀티 호퍼 프린터에 카드 로드	7
멀티 호퍼 예외 슬라이드 사용	9
컬러 잉크 리본 교체	10
클리닝 슬리브 교체	12
재전사 필름 교체	14
리젝트 트레이 비우기	16
K1 수평 전사 카드 걸림 제거	17
K2 수직 전사 카드 걸림 제거	19
플리퍼 카드 걸림 제거	20
손상된 잉크 리본 수리	21
손상된 재전사 필름 수리	22
전원 연결 확인	23
데이터 연결 확인	24
일반적인 LCD 메시지	25
일반적인 인쇄 품질 문제	26
청소 일정	27
이소프로판올 클리닝 카드 사용	28
접착식 클리닝 카드 사용	32
프린트헤드 청소	36
프린트헤드 캠 롤러 청소	40

RS4 Instant Financial Issuance System



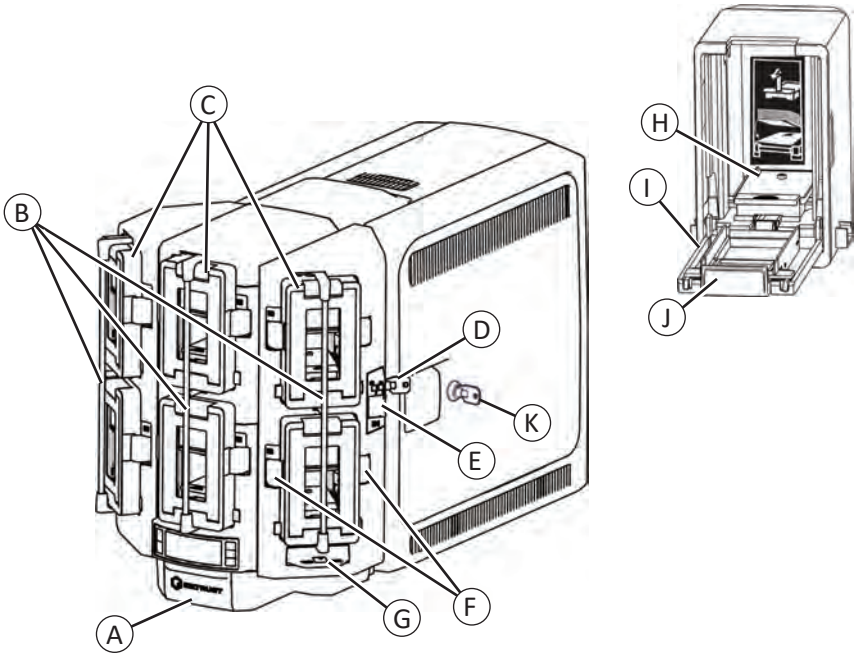
- | | | | |
|---|----------------|---|-------------------|
| A | 입력 호퍼 | J | 재전사 카트리지(C2) |
| B | 출력 호퍼 | K | 수동 회전 손잡이(K2) |
| C | 전면 패널 | L | 후면 액세스 도어 해제(K3) |
| D | 프린터 잠금 장치 | M | 수직 전사 영역 |
| E | 프린터 액세스 도어 | N | 리젝트 트레이(RT1) |
| F | 사용자 참고 가이드 슬롯 | O | 재전사 필름 카트리지 해제 버튼 |
| G | 청소용 스피들 핸들(C3) | P | 잉크 리본 카트리지 해제 버튼 |
| H | 수동 회전 손잡이(K1) | | |
| I | 잉크 리본 카트리지(C1) | | |

전면 패널



Artista RS4 Instant Financial Issuance System

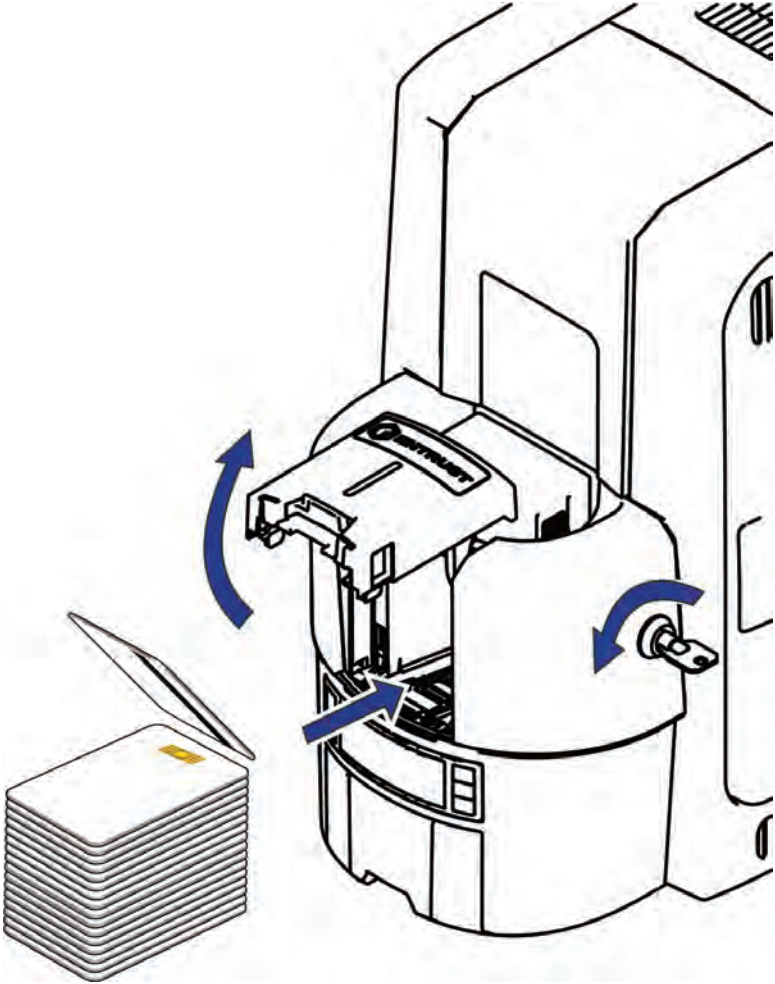
멀티 호퍼 옵션이 있는 RS4 프린터



- A = 출력 호퍼
- B = 호퍼 잠금 막대
- C = 입력 호퍼 1~6
- D = 멀티 호퍼 잠금 장치
- E = 잠금 막대 해제 버튼(B1)
- F = 호퍼 카트리지 해제 버튼

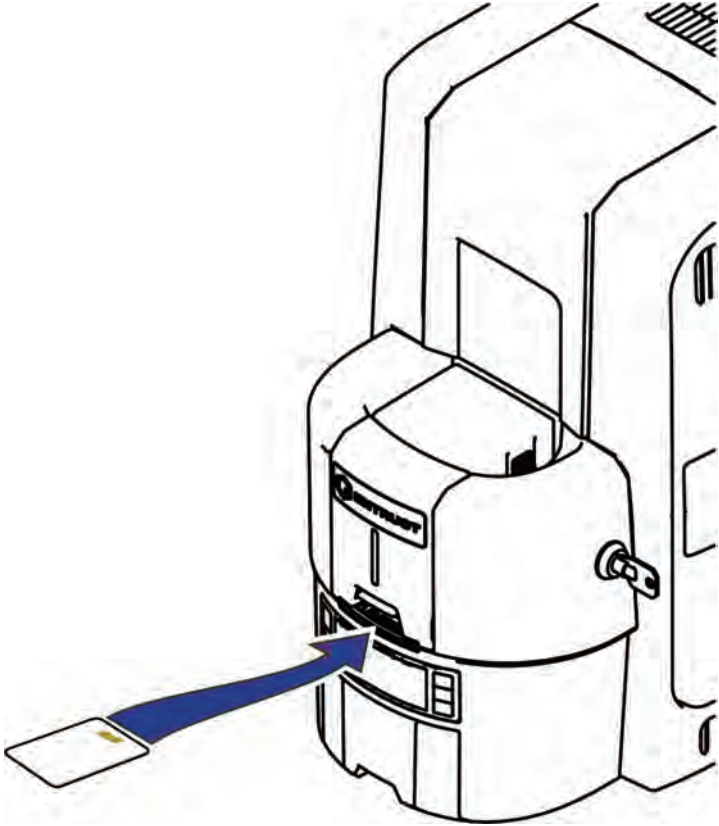
- G = 예외 슬라이드
- H = 카드 고정 장치
- I = 카트리지 도어
- J = 카트리지 도어 해제 버튼
- K = 프린터 잠금 장치

단일 호퍼 프린터에 카드 로드



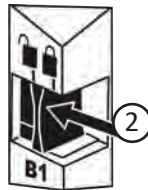
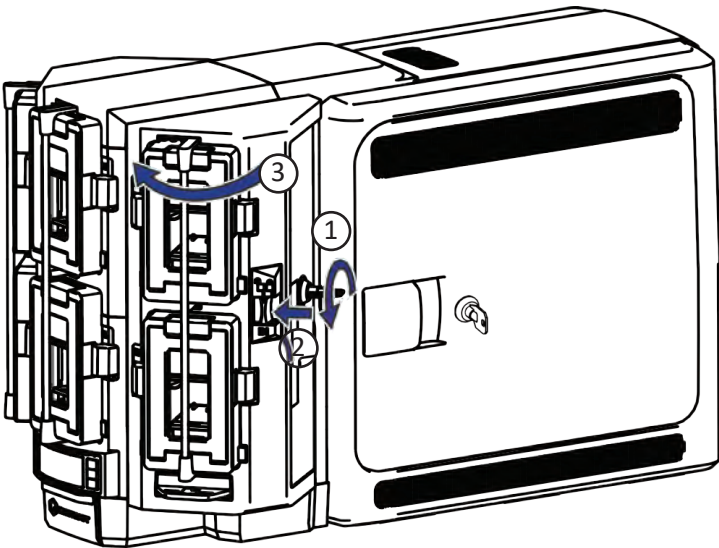
Artista RS4 Instant Financial Issuance System

예외 슬롯 사용



멀티 호퍼 프린터에 카드 로드

- a**
1. 멀티 호퍼 잠금 장치를 잠금 해제합니다.
 2. 잠금 막대 해제 버튼(B1)을 왼쪽으로 밀니다.
 3. 잠금 막대를 왼쪽으로 돌립니다.

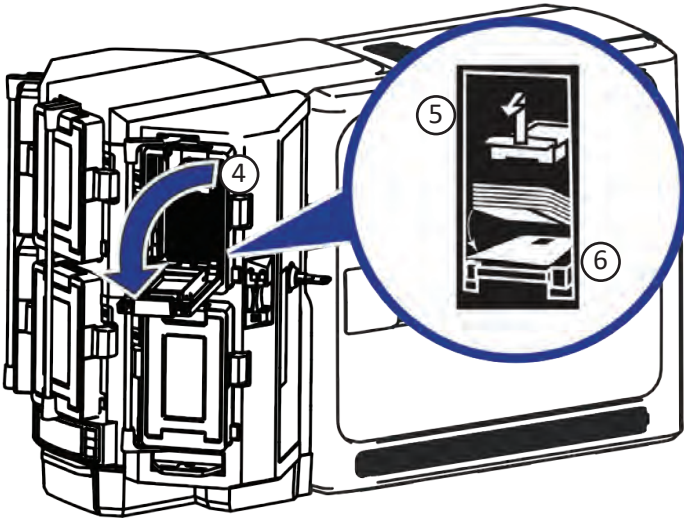


Artista RS4 Instant Financial Issuance System

멀티 호퍼 프린터에 카드 로드(계속)

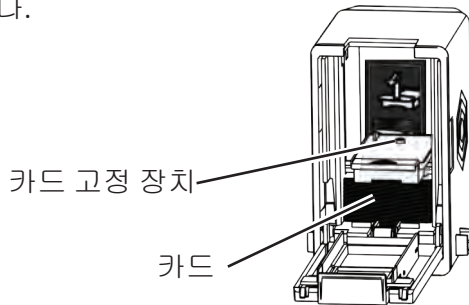
b

4. 카트리지 위의 카트리지 해제 버튼을 누르고 카트리지 도어를 엽니다.
5. 카드 고정 장치를 카트리지 위로 들어 올려 제자리에 고정될 때까지 앞으로 당깁니다.
6. 카드를 호퍼 카트리지에 로드합니다.



c

카드 고정 장치가 해제되어 카드 위에 놓이도록 카트리지 도어를 닫습니다.

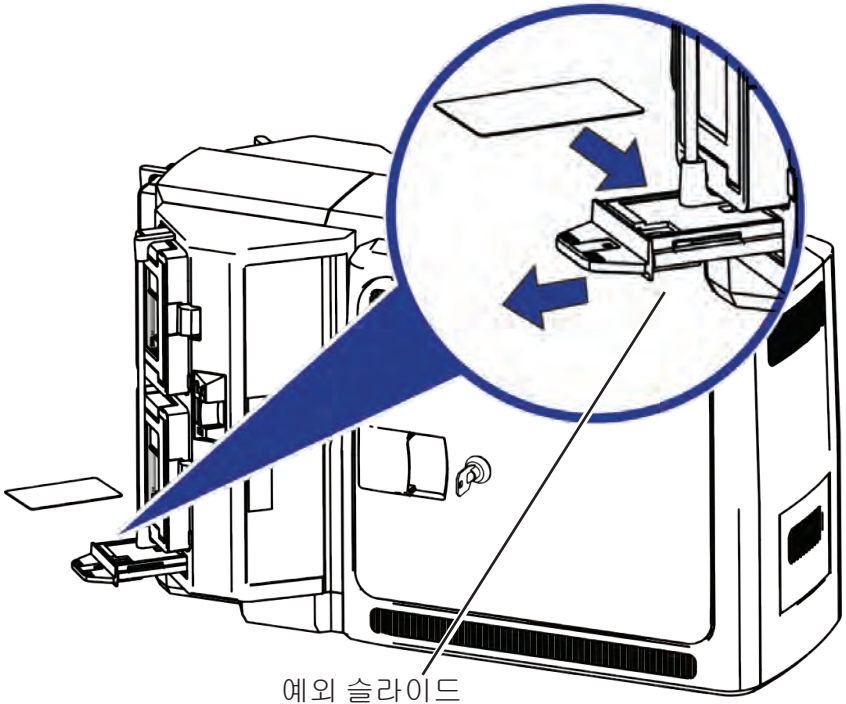


d

각 입력 호퍼 카트리지마다 반복합니다.
완료되면 모든 잠금 장치를 잠금 위치로 되돌립니다.

멀티 호퍼 예외 슬라이드 사용

- a** 멀티 호퍼 예외 슬라이드를 빼서 카드를 삽입합니다.

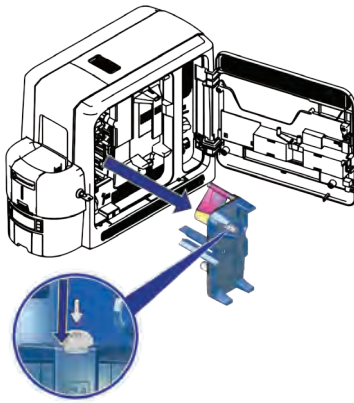


- b** 예외 슬라이드를 밀어 넣습니다.

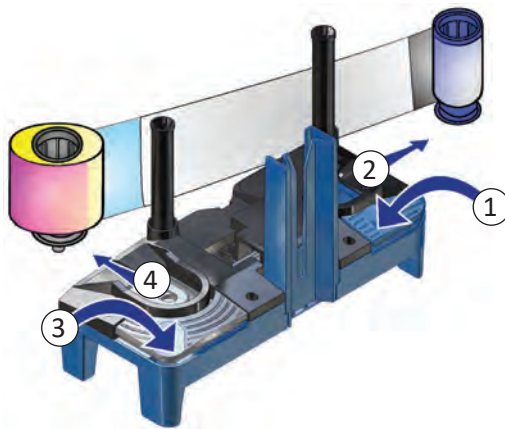
Artista RS4 Instant Financial Issuance System

컬러 잉크 리본 교체

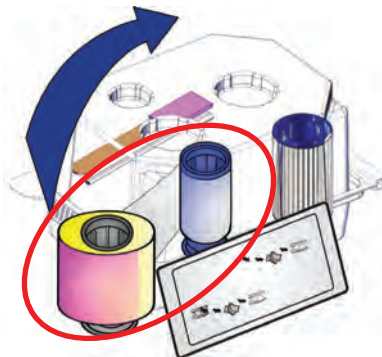
a



b



c

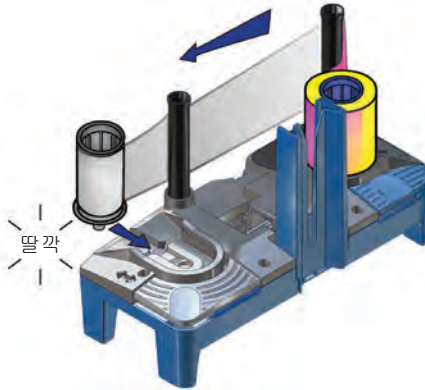


컬러 잉크 리본 교체(계속)

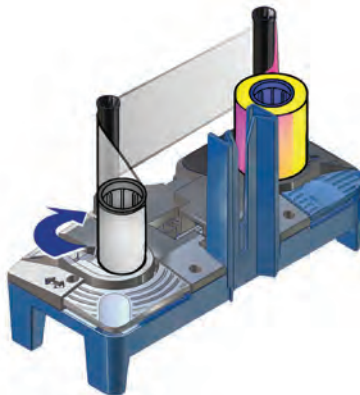
d



e



f



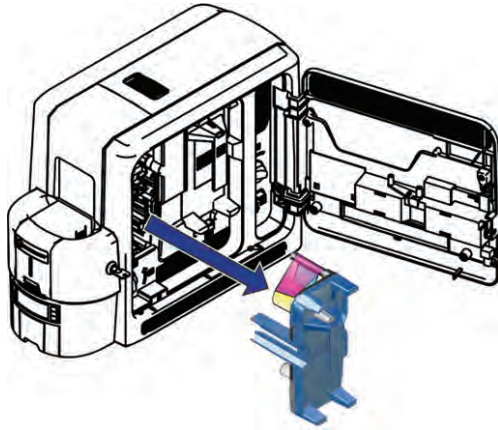
g

프린터에서 잉크 리본 카트리지를 교체합니다.

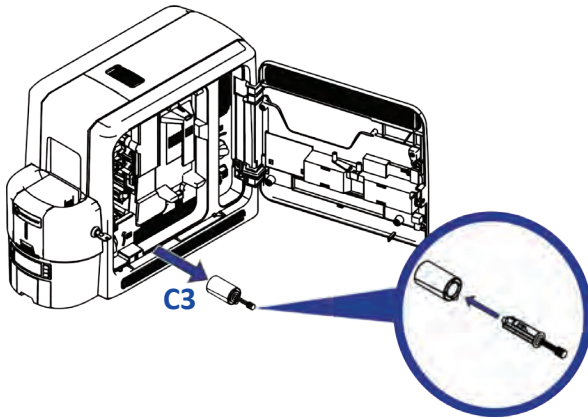
Artista RS4 Instant Financial Issuance System

클리닝 슬리브 교체

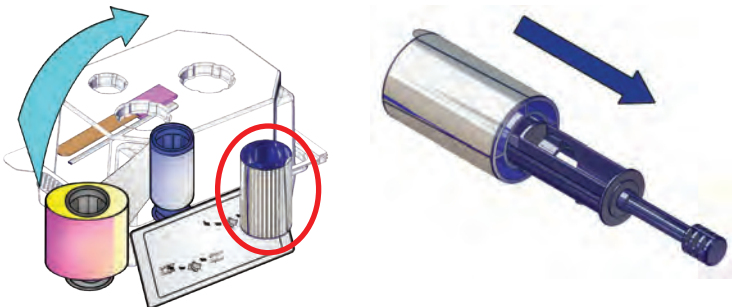
a



b



c

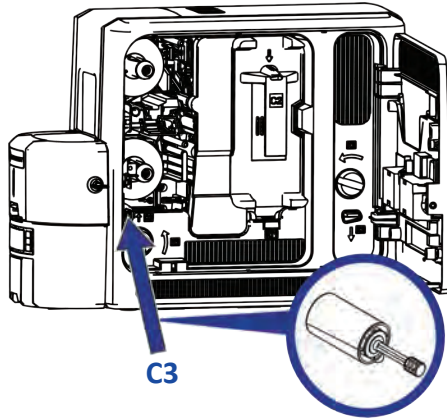


클리닝 슬리브 교체(계속)

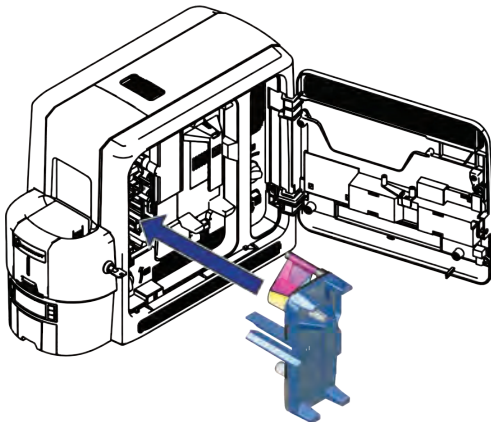
d



e



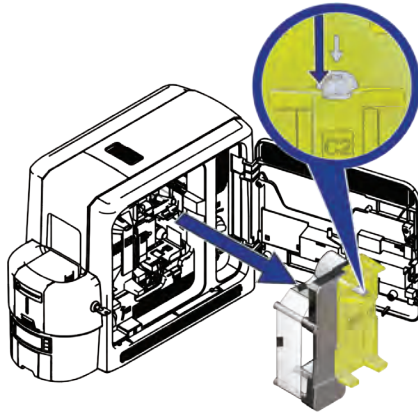
f



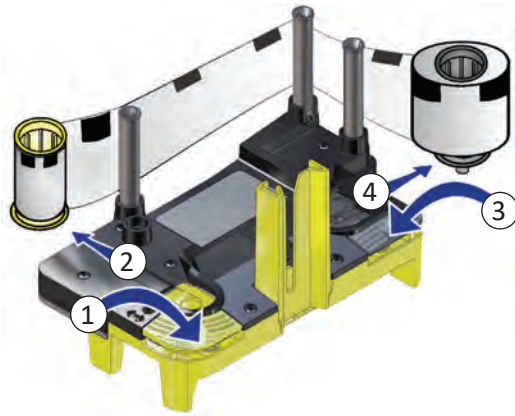
Artista RS4 Instant Financial Issuance System

재전사 필름 교체

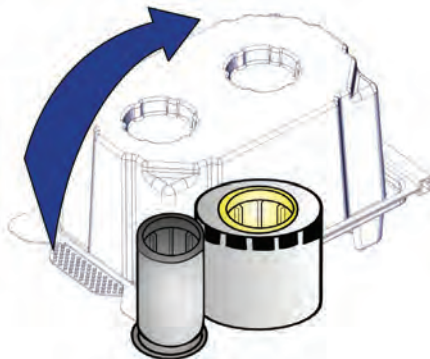
a



b

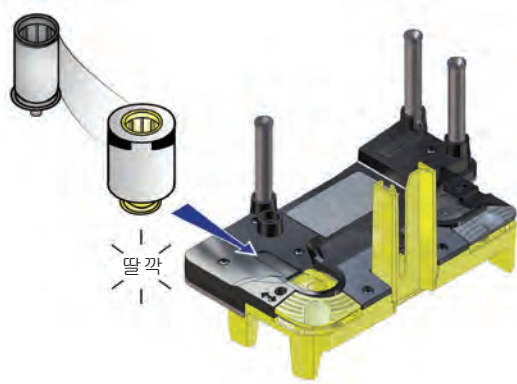


c

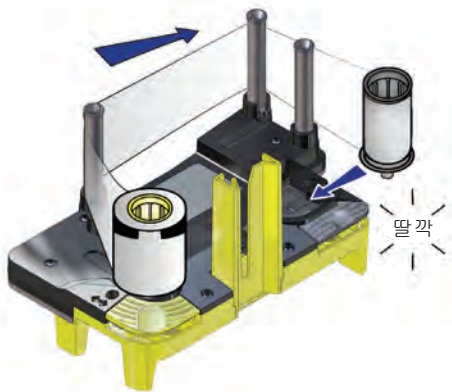


재전사 필름 교체(계속)

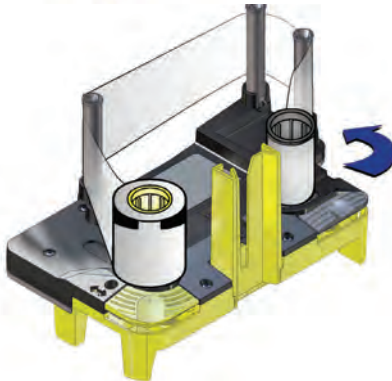
d



e



f



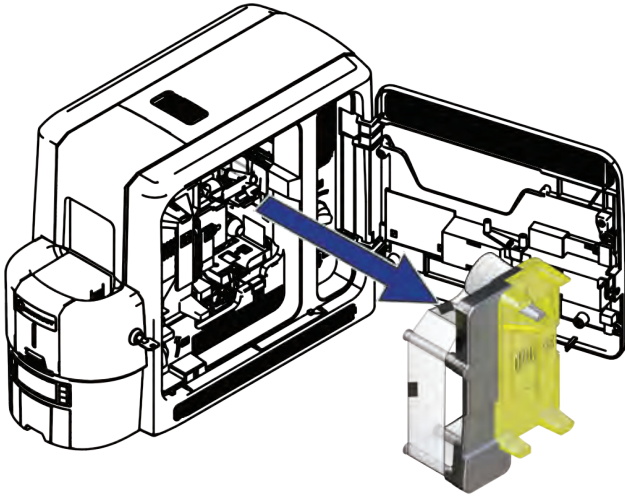
g

프린터에서 재전사 필름 카트리지를 교체합니다.

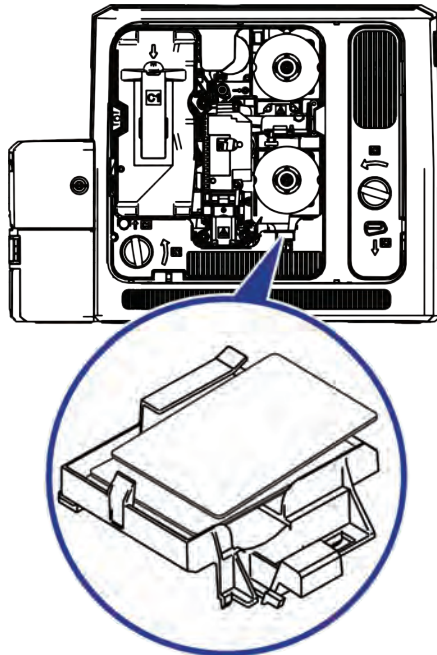
Artista RS4 Instant Financial Issuance System

리젝트 트레이 비우기

a



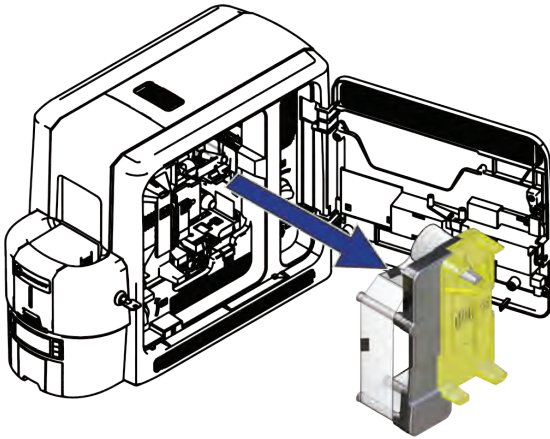
b



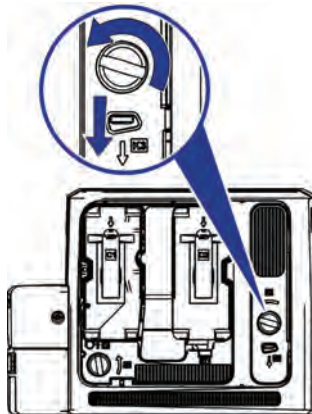
K1 수평 전사 카드 걸림 제거

단일 호퍼 프린터

- a** 프린터를 잠금 해제하고 프린터 액세스 도어를 엽니다.
재전사 필름 카트리지를 꺼냅니다.



- b** K1 수동 회전 손잡이를 시계 반대 방향으로 돌려 걸린 카드를 출력 호퍼로 이동합니다.
출력 호퍼를 통해 카드를 꺼냅니다.



- c** 재전사 필름 카트리지를 교체한 다음 프린터를 닫고 잠급니다.

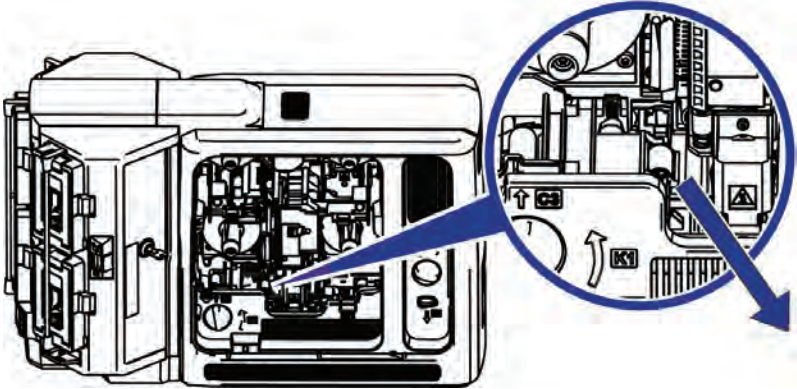
Artista RS4 Instant Financial Issuance System

K1 수평 전사 카드 걸림 제거(계속)

멀티 호퍼 프린터

a

1. 프린터를 잠금 해제하고 프린터 액세스 도어를 엽니다.
2. 잉크 리본과 재전사 필름 카트리지를 꺼냅니다.
3. 프린터에 카드를 넣습니다. 카드에 액세스하기 위해 필요한 경우 K1 수동 회전 손잡이를 돌립니다.
4. 프린터에서 카드를 꺼냅니다.

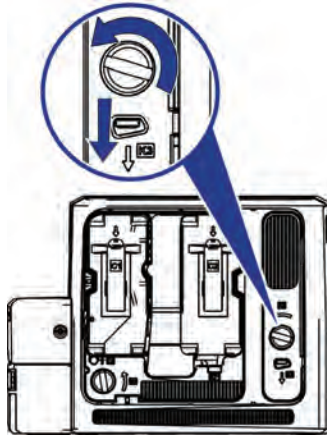


b

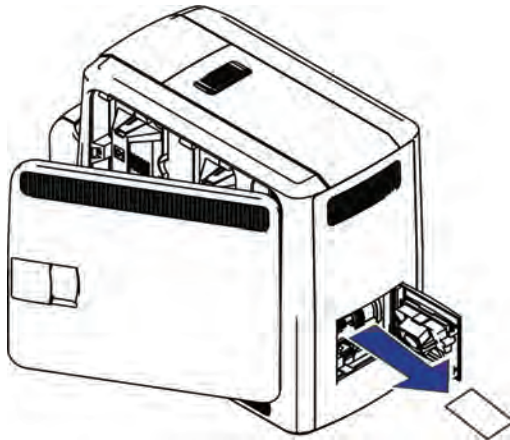
카트리지를 교체한 다음 프린터를 닫고 잠급니다.

K2 수직 전사 카드 걸림 제거

- a**
1. 프린터를 잠금 해제하고 프린터 액세스 도어를 엽니다.
 2. K3 후면 액세스 도어 해제 버튼을 눌러 후면 액세스 도어를 엽니다.
 3. K2 수동 회전 손잡이를 시계 반대 방향으로 돌려 후면 액세스 도어를 통해 액세스할 수 있을 때까지 걸린 카드를 수직 전사 장치 내부로 이동시킵니다.



- b** 후면 액세스 도어를 통해 카드를 꺼냅니다.

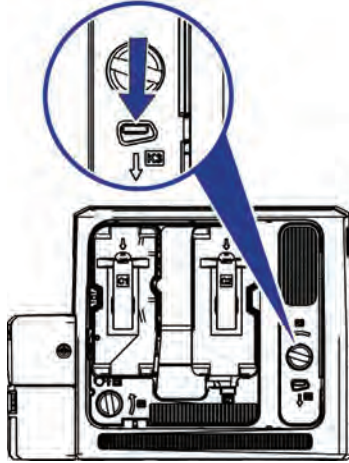


- c** 프린터 도어를 닫고 프린터를 잠급니다.

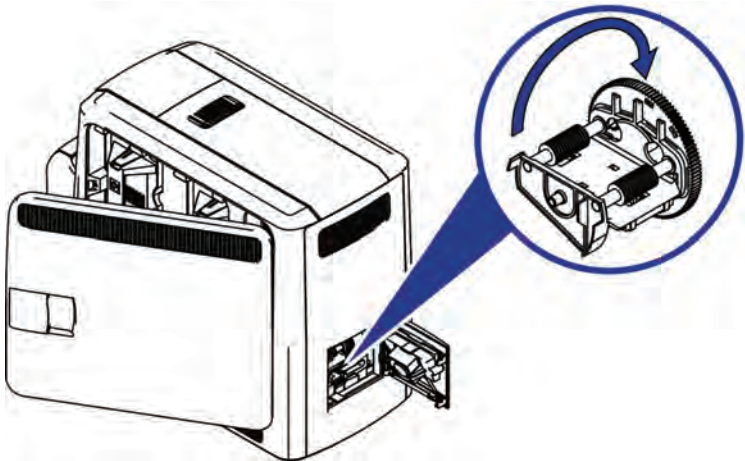
Artista RS4 Instant Financial Issuance System

플리퍼 카드 걸림 제거

- a** 프린터를 잠금 해제하고 프린터 액세스 도어를 엽니다.
K3 후면 액세스 도어 해제 버튼을 눌러 후면 액세스 도어를 엽니다.



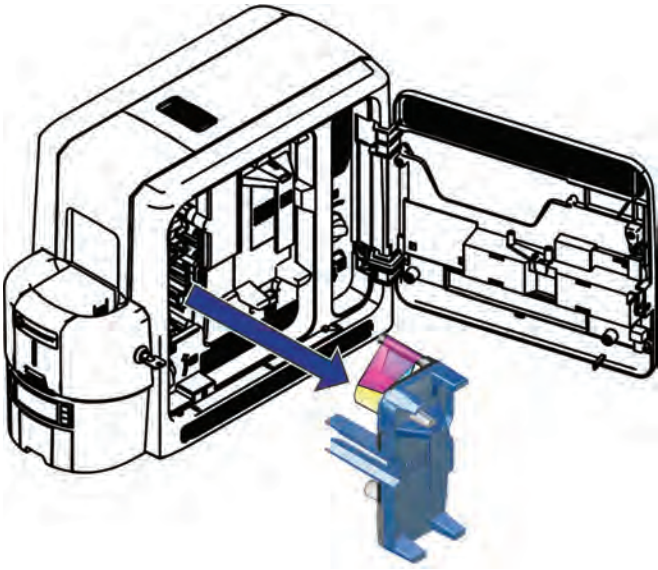
- b** 플리퍼 모듈을 회전하여 카드에 액세스합니다.
후면 액세스 도어를 통해 카드를 꺼냅니다.



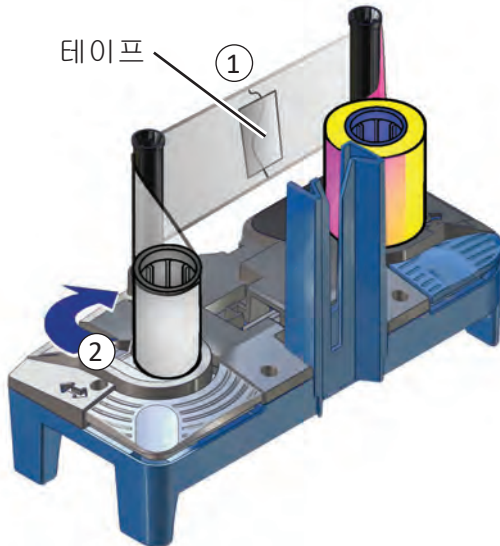
- c** 프린터 도어를 닫고 프린터를 잠급니다.

손상된 잉크 리본 수리

a



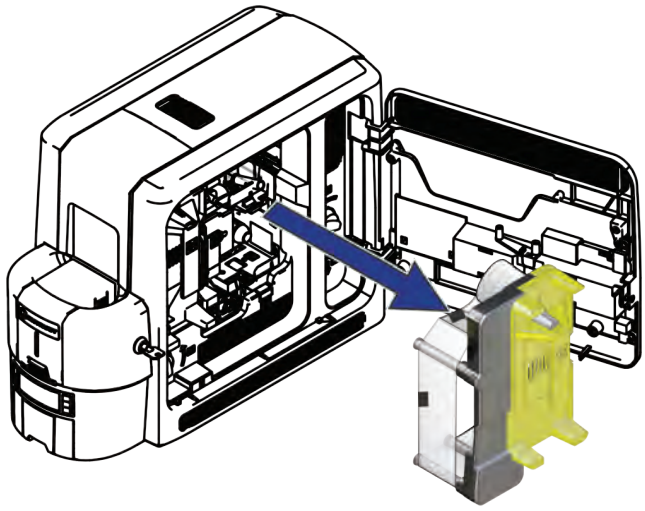
b



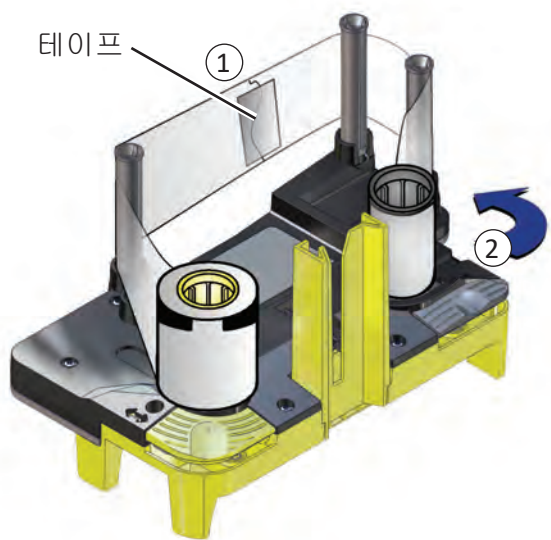
Artista RS4 Instant Financial Issuance System

손상된 재전사 필름 수리

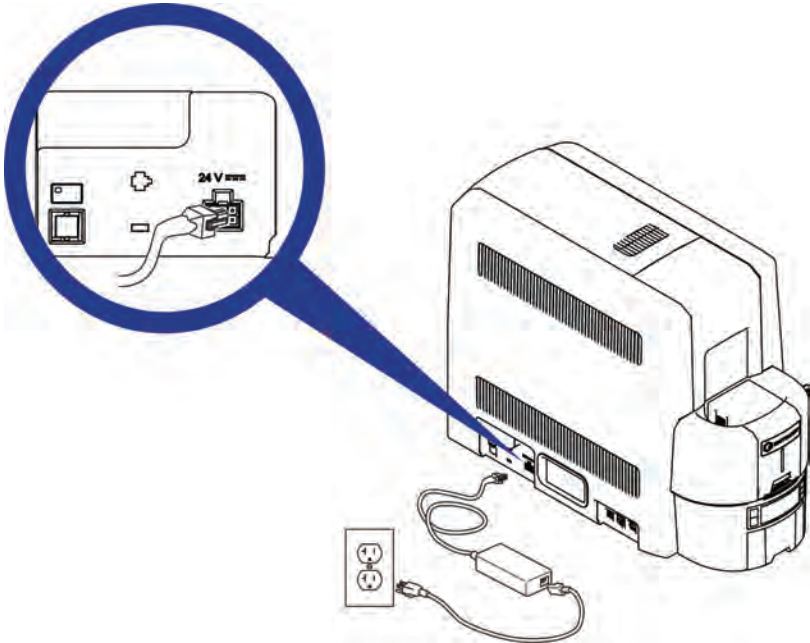
a



b

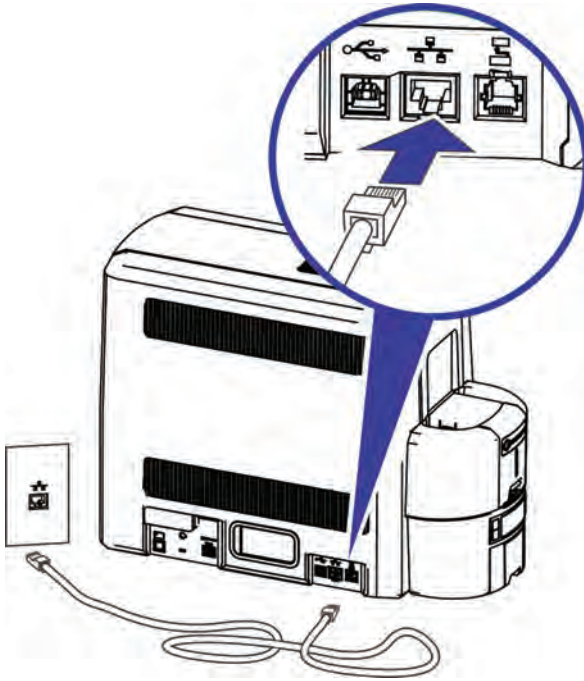


전원 연결 확인



Artista RS4 Instant Financial Issuance System

데이터 연결 확인



일반적인 LCD 메시지

오류 메시지	참조할 내용:
112: 카드 호퍼가 비어 있음	"단일 호퍼 프린터에 카드 로드", 페이지 5 "예외 슬롯 사용", 페이지 6 "멀티 호퍼 프린터에 카드 로드", 페이지 7 "멀티 호퍼 예외 슬라이드 사용", 페이지 9
166: C2 소모품 소진 또는 누락 167: C2 소모품이 확인되지 않음 168: C2 소모품이 지원되지 않음	"재전사 필름 교체", 페이지 14
172: 잘못된 종료	"전원 연결 확인", 페이지 23 "데이터 연결 확인", 페이지 24
175: C2 소모품 오류	"손상된 재전사 필름 수리", 페이지 22
234: K1 전사 카드 걸림	"K1 수평 전사 카드 걸림 제거", 페이지 17
235: K2 전사 카드 걸림	"K2 수직 전사 카드 걸림 제거", 페이지 19
236: 플리퍼 모듈 회전 오류	"플리퍼 카드 걸림 제거", 페이지 20
237: C1 소모품 소진 또는 누락 238: C1 소모품이 확인되지 않음 239: C1 소모품이 지원되지 않음	"컬러 잉크 리본 교체", 페이지 10 "클리닝 슬리브 교체", 페이지 12
240: C1 소모품 오류	"손상된 잉크 리본 수리", 페이지 21
242: RT1 리젝트 트레이 가득 참	"리젝트 트레이 비우기", 페이지 16
277: 멀티 호퍼 피킹 오류	"멀티 호퍼 프린터에 카드 로드", 페이지 7

Artista RS4 Instant Financial Issuance System

일반적인 인쇄 품질 문제

문제	원인	솔루션
카드에 컬러 도트가 반복되지 않음	잉크 리본 또는 재전사 필름에 먼지가 있음	<ul style="list-style-type: none"> 소모품 미리 교체 또는 "컬러 잉크 리본 교체", 페이지 10 "재전사 필름 교체", 페이지 14
카드에 주름이 보임	소모품이 주름져 있음	<ul style="list-style-type: none"> 소모품 미리 교체 또는 "컬러 잉크 리본 교체", 페이지 10 "재전사 필름 교체", 페이지 14
이미지가 흐리거나 퇴색됨 카드에 인쇄되지 않은 작은 부분이 있음	<ul style="list-style-type: none"> 카드에 지문, 이물질 또는 긁힘 있음 프린터 내부에 이물질 있음 프린트헤드가 더러움 	<ul style="list-style-type: none"> 카드가 깨끗한지 확인 프린터 청소. "청소 일정", 페이지 27 "클리닝 슬리브 교체", 페이지 12 "프린트헤드 청소", 페이지 36
여러 카드에서 컬러 도트가 반복됨	캠 롤러에 먼지 또는 이물질 있음	"프린트헤드 캠 롤러 청소", 페이지 40
카드에 컬러 또는 흰색 줄무늬가 나타남	프린트헤드에 먼지 또는 이물질 있음	<ul style="list-style-type: none"> 다른 카드를 인쇄하여 문제가 계속되는지 확인 "프린트헤드 청소", 페이지 36

- 추가 문제 해결 정보는 *CR825 및 CE875 Instant Issuance System 사용자 가이드*를 참조하십시오.
- 그리고 "청소 일정", 페이지 27에서 프린터 유지 관리를 위한 권장 모범 사례를 참조하십시오.

청소 일정

권장 청소 일정에 따라 프린터를 유지 관리하고 최상의 인쇄 품질을 확보하십시오.

일정	작업	절차
잉크 리본을 변경하는 경우	이소프로판올 클리닝 카드로 프린터 청소	<ul style="list-style-type: none"> "단일 호퍼 프린터", 페이지 28 "멀티 호퍼 프린터", 페이지 29
	클리닝 슬리브(C3) 교체.	"클리닝 슬리브 교체", 페이지 12
	프린트헤드 청소.	"프린트헤드 청소", 페이지 36
완성된 카드에 입자가 보이는 경우	클리닝 슬리브(C3) 교체.	"클리닝 슬리브 교체", 페이지 12
	접착식 클리닝 카드로 프린터 청소.	<ul style="list-style-type: none"> "단일 호퍼 프린터", 페이지 32 "멀티 호퍼 프린터", 페이지 33
완성된 카드에 컬러 또는 흰색 줄이 표시되는 경우	프린트헤드 청소.	"프린트헤드 청소", 페이지 36
완성된 카드에 컬러 도트가 반복되는 경우	프린트헤드 캠 롤러 청소.	"프린트헤드 캠 롤러 청소", 페이지 40



이소프로판올 또는 접착식 클리닝 카드를 사용하여 프린터를 청소하는 경우 잉크 리본(C1)과 재전사 필름(C2) 카트리지와 클리닝 슬리브를 꺼냅니다.

Artista RS4 Instant Financial Issuance System

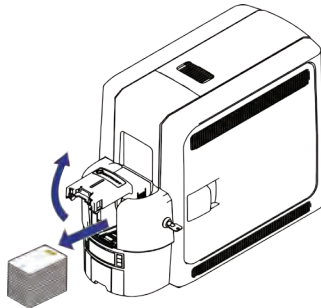
이소프로판올 클리닝 카드 사용

이소프로판올 클리닝 카드를 정기적으로 사용하여 프린터를 청소합니다. "청소 일정", 페이지 27 을(를) 참조하십시오.

단일 호퍼 프린터

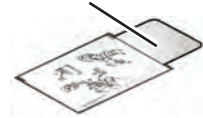
a 프린터 잠금을 해제하고 소모품 카트리지와 클리닝 슬리브를 제거합니다.

입력 호퍼를 열고 인쇄되지 않은 카드를 꺼냅니다. 카드의 가장자리를 잡거나 카드 검사 장갑을 착용합니다.



b 클리닝 카드 패키지를 열고 이소프로판올 클리닝 카드를 꺼냅니다.

이소프로판올 클리닝 카드

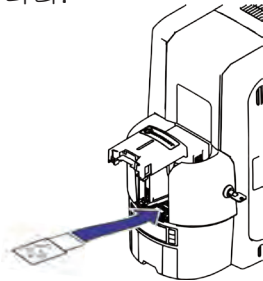


c 입력 호퍼에 클리닝 카드를 로드합니다.

클리닝 카드가 휘어진 것 같으면 그림과 같이 삽입하십시오.

휘어지지 않은 카드

휘어진 카드



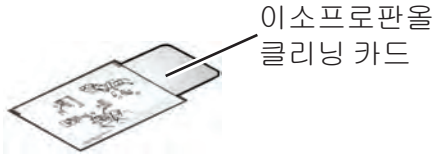
d "이소프로판올 클리닝 카드 실행", 페이지 30 을(를) 계속 따릅니다.

이소프로판올 클리닝 카드 사용(계속)

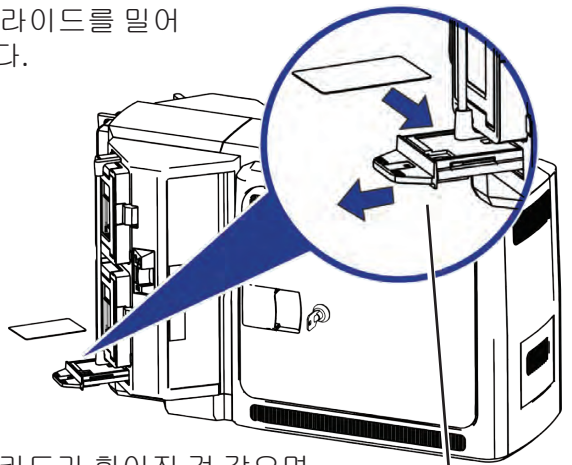
멀티 호퍼 프린터

a 프린터 잠금을 해제하고 소모품 카트리지와 클리닝 슬리브를 제거합니다.

b 패키지에서 클리닝 카드를 꺼냅니다.



- c**
1. 멀티 호퍼 예외 슬라이드를 빼서 클리닝 카드를 삽입합니다.
 2. 예외 슬라이드를 밀어 넣습니다.



클리닝 카드가 휘어진 것 같으면 그림과 같이 삽입하십시오.

예외 슬라이드

휘어지지 않은 카드



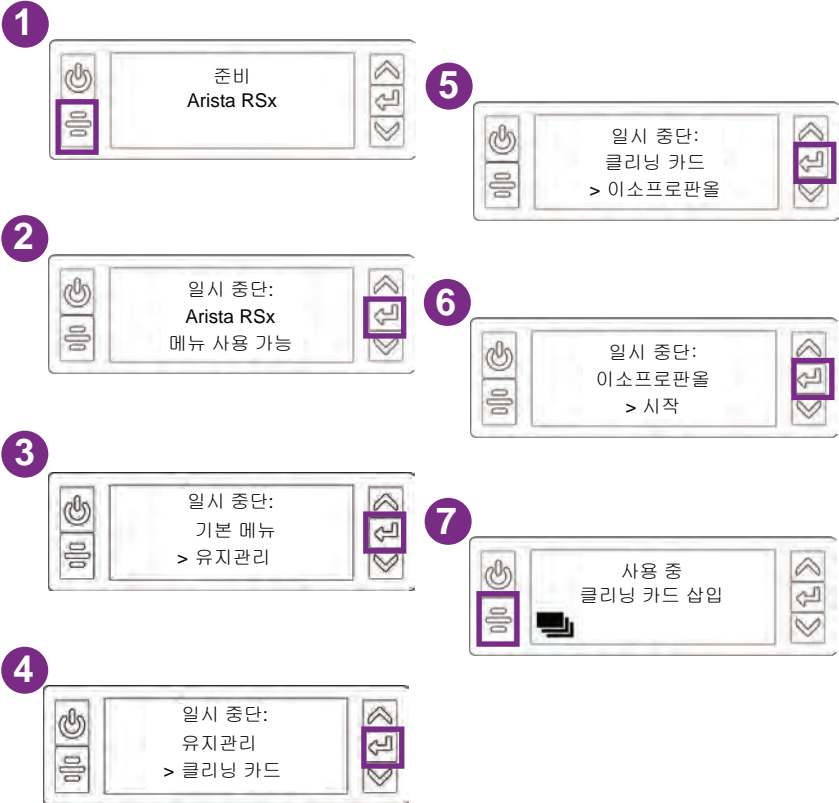
d "이소프로판올 클리닝 카드 실행", 페이지 30 을(를) 계속 따릅니다.

Artista RS4 Instant Financial Issuance System

이소프로판올 클리닝 카드 사용(계속)

이소프로판올 클리닝 카드 실행

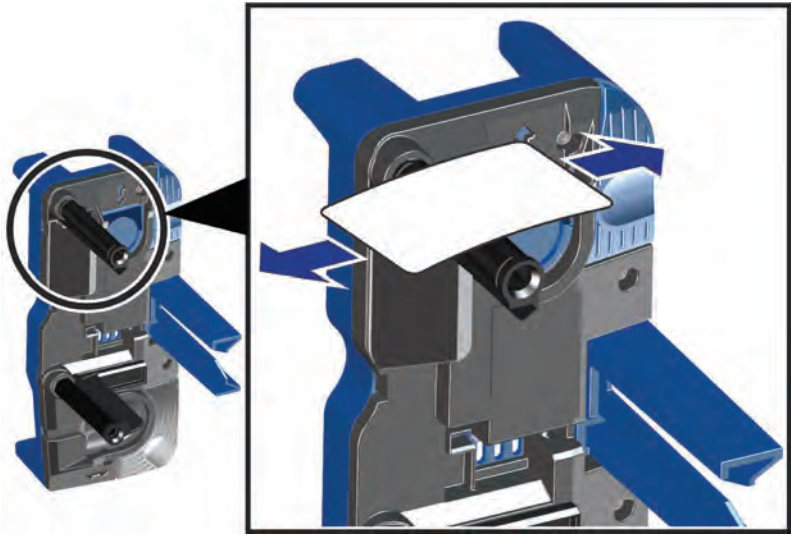
a LCD 패널을 사용하여 이소프로판올 클리닝 카드를 실행합니다.



클리닝 카드가 프린터 리젝트 트레이(RT1)로 배출됩니다.
상단 리본 가이드를 청소하려면 클리닝 카드를 꺼내서
보관하십시오.

이소프로판올 클리닝 카드 사용(계속)

- b** 클리닝 카드를 사용하여 프린터를 청소한 후에 이를 재사용하여 리본 카트리지의 상단 리본 가이드 포스트의 잔해를 닦아냅니다.



- c** 프린터의 소모품 카트리지를 교체하고 카드를 단일 입력 호퍼에 넣습니다.

Artista RS4 Instant Financial Issuance System

접착식 클리닝 카드 사용

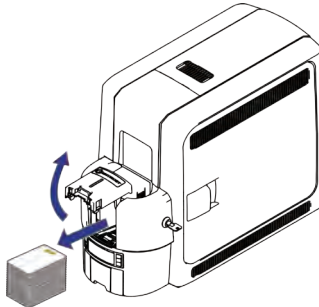
재전사 과정에서 발생하는 입자를 제거하려면 접착식 클리닝 카드를 사용하십시오. 접착식 클리닝 카드를 사용하는 경우에 대한 정보는 "청소 일정", 페이지 27을(를) 참조하십시오.

단일 호퍼 프린터

a

프린터 잠금을 해제하고 소모품 카트리지와 클리닝 슬리브를 제거합니다.

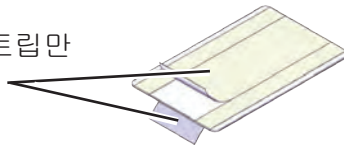
입력 호퍼를 열고 인쇄되지 않은 카드를 꺼냅니다. 카드의 가장자리를 잡거나 카드 검사 장갑을 착용합니다.



b

접착식 클리닝 카드 양쪽에서 가운데 스트립을 벗겨냅니다. 양쪽 스트립은 제자리에 둡니다.

가운데 스트립만 벗기기



c

입력 호퍼에 접착식 클리닝 카드를 로드합니다.

클리닝 카드가 휘어진 것 같으면 그림과 같이 삽입하십시오.

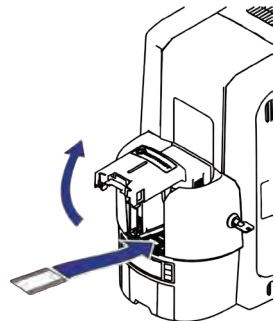
휘어지지 않은 카드



휘어진 카드

입력 호퍼를 닫고 프린터를 잠급니다.

"접착식 클리닝 카드 실행", 페이지 35 을(를) 계속 따릅니다.



접착식 클리닝 카드 사용(계속)

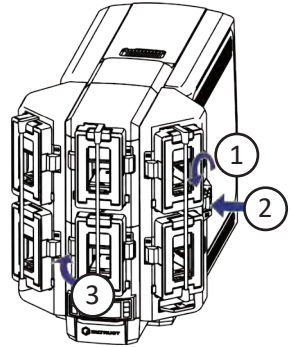
멀티 호퍼 프린터

a

프린터 잠금을 해제하고 소모품 카트리지와 클리닝 슬리브를 제거합니다.

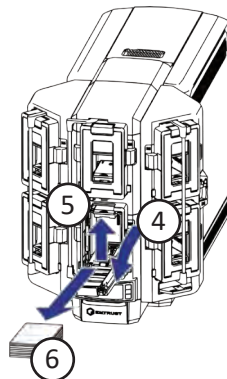
b

1. 멀티 호퍼 도어 잠금 장치를 잠금 해제합니다.
2. 잠금 막대 해제 버튼(B1)을 왼쪽으로 밀어 호퍼 잠금 막대를 해제합니다.
3. H2 및 H5 멀티 호퍼 입력 카트리지에 액세스할 수 있도록 가운데 잠금 막대를 왼쪽으로 돌립니다.



c

4. H2 카트리지 위의 카트리지 해제 버튼을 누르고 카트리지 도어를 엽니다.
5. 카드 고정 장치를 카트리지 위로 들어 올려 제자리에 고정될 때까지 부드럽게 앞으로 당깁니다.
6. H2 카트리지에서 인쇄되지 않은 카드를 꺼냅니다. 카드의 가장자리를 잡거나 카드 검사 장갑을 착용합니다.

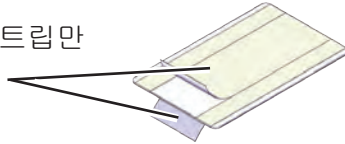


Artista RS4 Instant Financial Issuance System

접착식 클리닝 카드 사용(계속)

d 접착식 클리닝 카드 양쪽에서 가운데 스트립을 벗겨냅니다. 양쪽 스트립은 제자리에 둡니다.

가운데 스트립만 벗기기



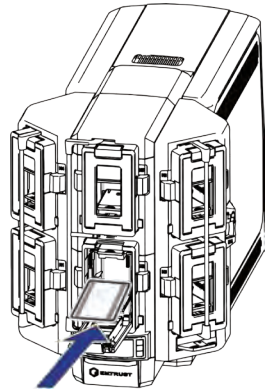
e H2 카트리지에 접착식 클리닝 카드를 로드하고 카트리지 도어를 닫습니다.

클리닝 카드가 휘어진 것 같으면 그림과 같이 삽입하십시오.

휘어지지 않은 카드



휘어진 카드



멀티 호퍼의 예외 슬라이드에 접착식 클리닝 카드를 삽입하지 마십시오.

f

멀티 호퍼를 잠급니다.

1. 가운데 잠금 막대를 오른쪽 잠금 위치로 돌립니다.
2. 잠금 막대 해제 버튼을 오른쪽으로 밀어 잠금 막대를 제자리에 고정합니다.
3. 멀티 호퍼 도어 잠금 장치를 잠급니다.

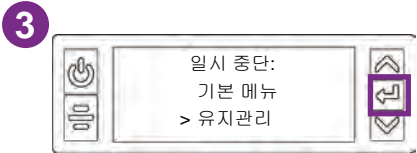
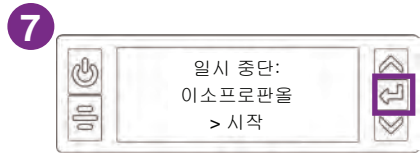
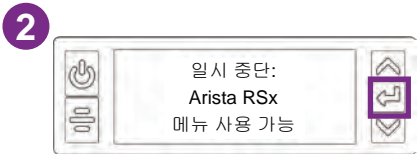
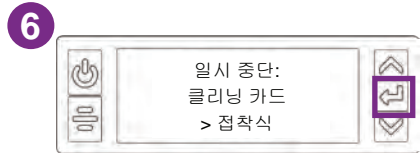
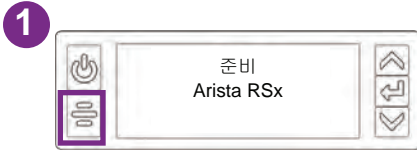
g

"접착식 클리닝 카드 실행", 페이지 35 을(를) 계속 따릅니다.

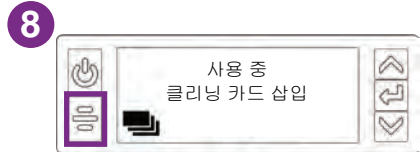
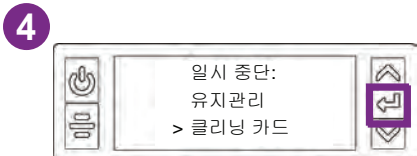
접착식 클리닝 카드 사용(계속)

접착식 클리닝 카드 실행

a LCD 패널을 사용하여 접착식 클리닝 카드를 실행합니다.

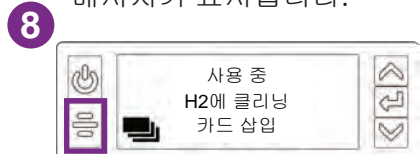
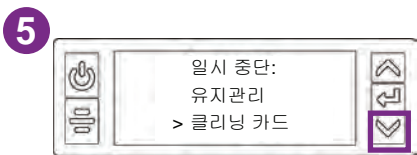


단일 호퍼 프린터를 청소할 경우 다음 메시지가 표시됩니다.



또는

멀티 호퍼 프린터를 청소할 경우 다음 메시지가 표시됩니다.



b 프린터 리젝트 트레이에서 접착식 클리닝 카드를 꺼냅니다.

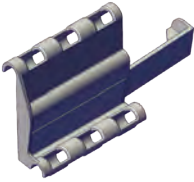
c 소모품 카트리지를 교체하고 새 클리닝 슬리브를 장착한 다음, 단일 호퍼 프린터의 입력 호퍼 또는 멀티 호퍼 프린터의 H2 카트리지에 있는 카드를 교체합니다.

Artista RS4 Instant Financial Issuance System

프린트헤드 청소

잉크 리본을 교체할 때마다 또는 인쇄 품질 문제가 있는 경우
프린트헤드를 청소하십시오.

다음 품목을 사용하여 프린트헤드를 청소하십시오.



랩핑 스틱
지지대



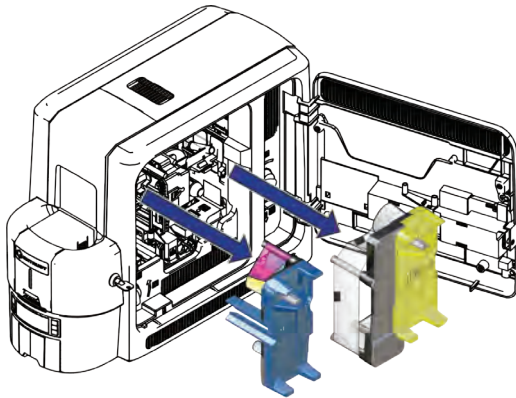
랩핑 스틱



청소용 면봉

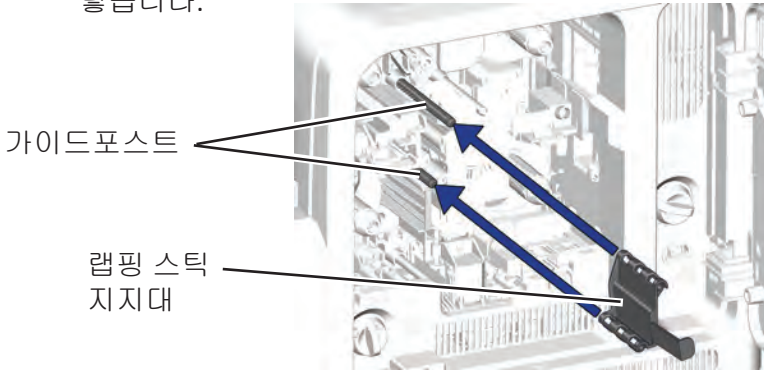
a

1. 프린터를 끄고 잠금 해제합니다.
2. 프린터 액세스 도어를 열고 잉크 리본(C1)과 재전사 필름(C2) 카트리지를 제거합니다.



프린트헤드 청소(계속)

b 랩핑 스틱 지지대를 프린터에 삽입합니다. 지지 톨을 카트리지 가이드포스트 위에 맞게 끼워 프린터에 밀어 넣습니다.

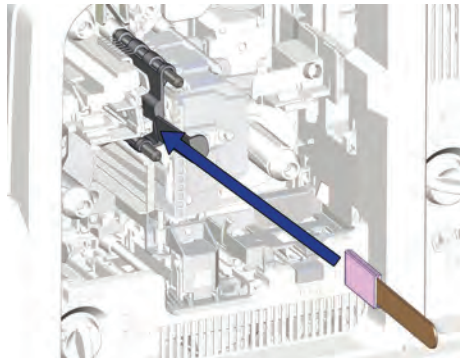


c 랩핑 스틱으로 프린트헤드를 청소합니다.

i 랩핑 스틱에서 분홍색 랩핑 페이퍼를 제거하지 마십시오.



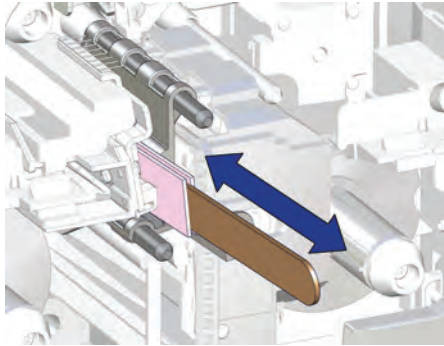
1. 랩핑 스틱을 지지 톨의 아래쪽 부분에 삽입합니다. 멈출 때까지 밀어 넣습니다.




Artista RS4 Instant Financial Issuance System

프린트헤드 청소(계속)

2. 랩핑 스틱을 앞뒤로 3번 움직여 프린트헤드를 청소합니다.



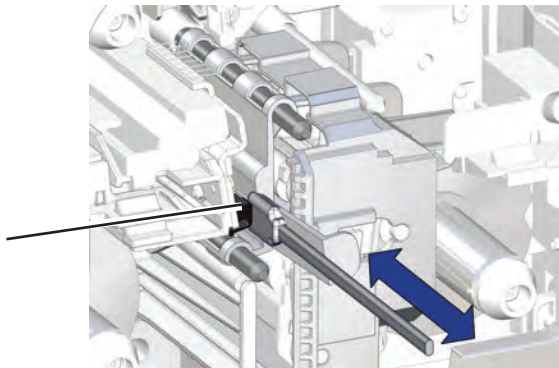
3. 지지 틀에서 랩핑 스틱을 꺼냅니다.

 랩핑 스틱은 한 면에 한 번씩 두 번 사용할 수 있습니다. 처음 사용한 후에는 랩핑 스틱을 보관하십시오.

d 청소용 면봉으로 프린트헤드를 청소합니다.

1. 청소용 면봉 패키지를 엽니다.
2. 지지 틀에 청소용 면봉을 삽입합니다. 그림과 같이 면봉을 중앙에 놓습니다(또는 지지 틀 핸들의 위쪽을 향하게 놓습니다).

면봉을 이곳
중앙에 맞춤



프린트헤드 청소(계속)

3. 청소용 면봉을 앞뒤로 세 번 움직여 프린트헤드 영역에 남아 있는 이물질 제거합니다.
4. 지지 틀에서 청소용 면봉을 꺼냅니다.

e

프린터에서 지지 틀을 꺼냅니다.



랩핑 스틱 지지 틀을 폐기하지 마십시오. 나중에 청소할 때 사용할 수 있도록 보관하십시오.

f

1. 잉크 리본 및 재전사 필름 카트리지를 교체하고 프린터 액세스 도어를 닫고 잠급니다.
2. 프린터 전원을 켭니다.
3. 테스트 카드를 하나 이상 인쇄하여 인쇄 품질을 확인합니다.



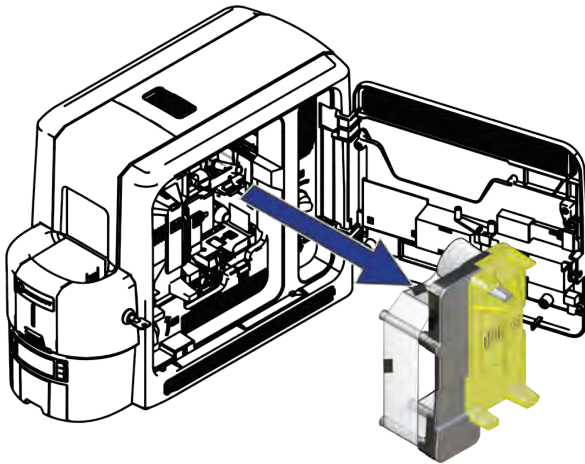
- 랩핑 스틱과 청소용 면봉만 사용하여 프린트헤드를 청소하십시오. 다른 재료는 프린트헤드에 달라 붙어 손상을 일으킬 수 있습니다.
- 두 번째 사용한 후에는 랩핑 스틱을 폐기하십시오.
- 청소용 면봉은 한 번만 사용하십시오. 프린트헤드를 청소한 후 면봉을 폐기하십시오.

Artista RS4 Instant Financial Issuance System

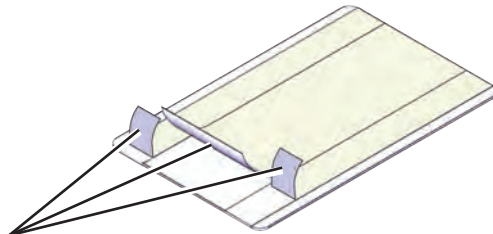
프린트헤드 캠 롤러 청소

접착식 클리닝 카드를 사용하여 프린트헤드 캠 롤러를 청소합니다.

- a**
1. 프린터 전원을 끕니다.
 2. 프린터를 잠금 해제하고 프린터 액세스 도어를 엽니다.
 3. 프린터에서 재전사 필름 카트리지(c2)를 꺼냅니다.



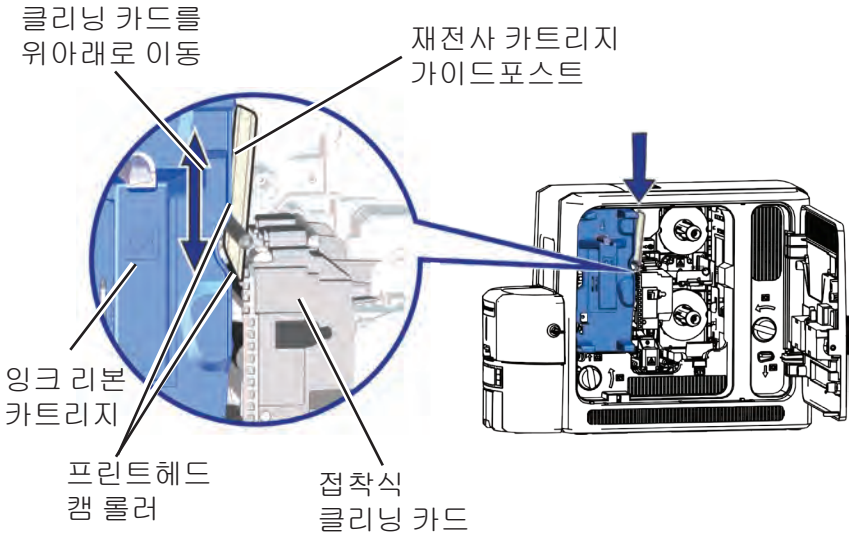
- b**
- 접착식 클리닝 카드의 한 면에서 가운데 스트립을 벗겨낸 다음 양쪽 스트립을 벗겨냅니다.



가운데 스트립과
양쪽 스트립 벗기기

프린트헤드 캠 롤러 청소(계속)

- C**
1. 클리닝 카드를 프린터의 재전사 카트리지 가이드포스트와 롤러 사이에 삽입합니다. 카드의 접착면이 오른쪽을 향하고 롤러에 달아야 합니다.
 2. 롤러를 따라 클리닝 카드를 위아래로 움직여 이물질 제거합니다.



- d**
1. 재전사 필름 카트리지를 교체합니다.
 2. 프린터를 닫고 잠급니다.
 3. 프린터를 다시 시작합니다.

- e** 사용한 클리닝 카드를 폐기합니다.

Artista RS4 Instant Financial Issuance System

참고

참고

경고: 이 제품에는 캘리포니아주에서 암, 선천성 기형 또는 기타 생식 장애를 유발하는 것으로 알려진 납 등 화학 물질이 포함되어 있습니다. **취급 후에는 손을 씻으십시오.**



경고: 이 제품으로 인해 캘리포니아주에서 암을 유발하는 것으로 알려진 디(2-에틸헥실)프탈레이트(DEHP)와, 캘리포니아주에서 선천성 기형 또는 기타 생식 장애를 유발하는 것으로 알려진 디(2-에틸헥실)프탈레이트(DEHP) 및 부틸 벤질 프탈레이트(BBP)를 포함한 화학 물질에 노출될 수 있습니다. 자세한 내용은 www.P65Warnings.ca.gov 및 <https://www.entrust.com/legal-compliance/environmental-product-certifications>를 참조하십시오.



ENTRUST

1187 Park Place

Minneapolis, Minnesota 55379

952.933.1223 • 952.933.7971 팩스

www.entrust.com

Entrust, Sigma 및 육각형 디자인은 미국 및 기타 국가에서 Entrust Corporation의 상표, 등록 상표 및/또는 서비스 마크이며 Datacard는 등록 상표 및 서비스 마크입니다. 기타 모든 상표는 해당 소유자의 자산입니다.

© 2024. 해당 자료에 포함된 디자인과 정보는 보호됩니다.



ENTRUST Guia de referência do usuário



ENTRUST

Guia de referência do usuário

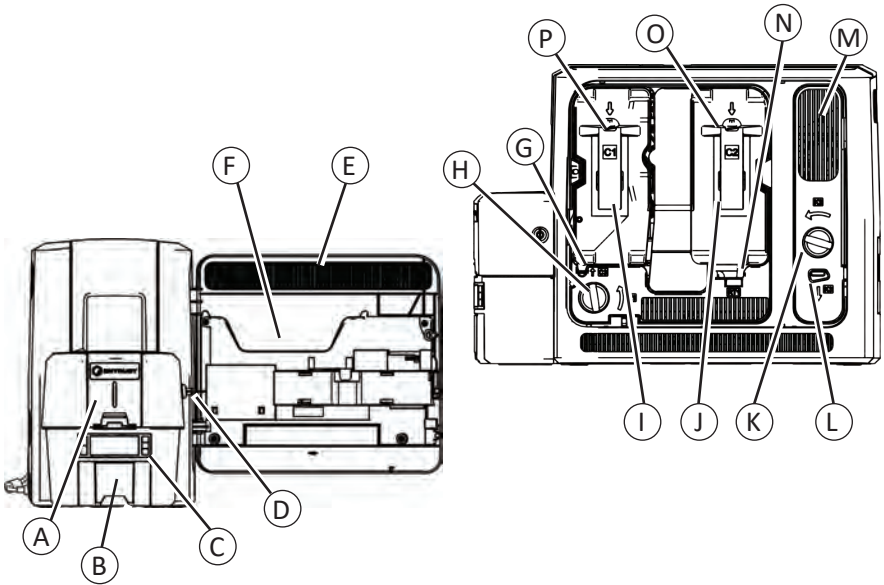
**Sistema de emissão
financeira instantânea
Entrust Artista® RS4**

Outubro de 2024
528505-001PT-BR, Rev. A

Índice

Sistema de emissão financeira instantânea RS4	3
Impressora RS4 com multicompartimento opcional	4
Carregar cartões em uma impressora com compartimento único.....	5
Utilizar a abertura de exceção.....	6
Carregar cartões em uma impressora com multicompartimento	7
Utilizar a lâmina de exceção do multicompartimento	9
Substituir a fita de tinta colorida.....	10
Substituir a capa de limpeza	12
Substituir o filme de retransferência	14
Esvaziar a bandeja de rejeições.....	16
Liberar atolamento de cartões na transportadora horizontal K1	17
Liberar atolamento de cartões na transportadora vertical K2.....	19
Liberar atolamento de cartões no flipper	20
Consertar fita de tinta rompida.....	21
Consertar filme de retransferência rompido	22
Verificar a alimentação de energia.....	23
Verificar a conexão de dados	24
Mensagens comuns no LCD	25
Problemas comuns de qualidade de impressão	26
Cronograma de limpeza	27
Usar o cartão de limpeza de isopropanol	28
Use o cartão de limpeza adesivo.....	32
Limpar o cabeçote de impressão.....	36
Limpar os rolos da came do cabeçote de impressão.....	40

Sistema de emissão financeira instantânea RS4



- A Compartimento de entrada
- B Compartimento de saída
- C Painel frontal
- D Trava da impressora
- E Porta de acesso da impressora
- F Slot do *Guia de referência do usuário*
- G Alça do eixo de limpeza (C3)
- H Botão de avanço manual (K1)
- I Cartucho de fita de tinta (C1)

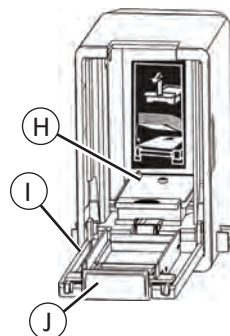
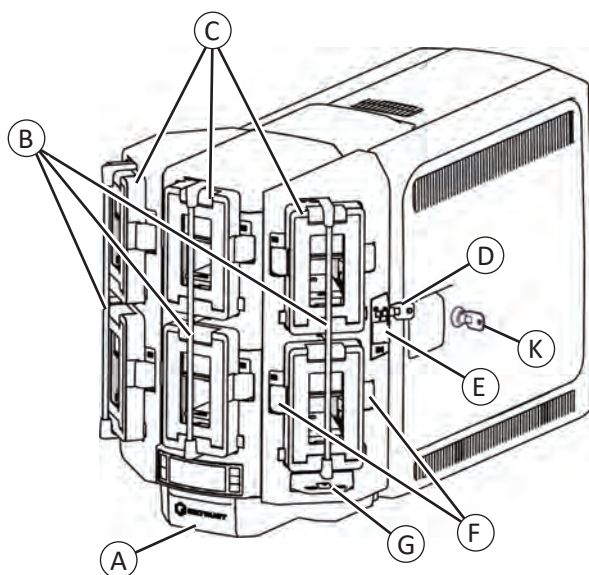
- J Cartucho de retransferência (C2)
- K Botão de avanço manual (K2)
- L Liberador da porta de acesso traseira (K3)
- M Área de transporte vertical
- N Bandeja de rejeições (RT1)
- O Botão de liberação do cartucho do filme de retransferência
- P Botão de liberação do cartucho de fita de tinta

Painel frontal

Painel frontal LCD



Impressora RS4 com multicompartmento opcional



A = Compartimento de saída

B = Barras de trava de compartimento

C = Compartimentos de entrada de 1 a 6

D = Trava do multicompartmento

E = Botão de liberação da barra de trava (B1)

F = Botões de liberação do cartucho do compartimento

G = Lâmina de exceção

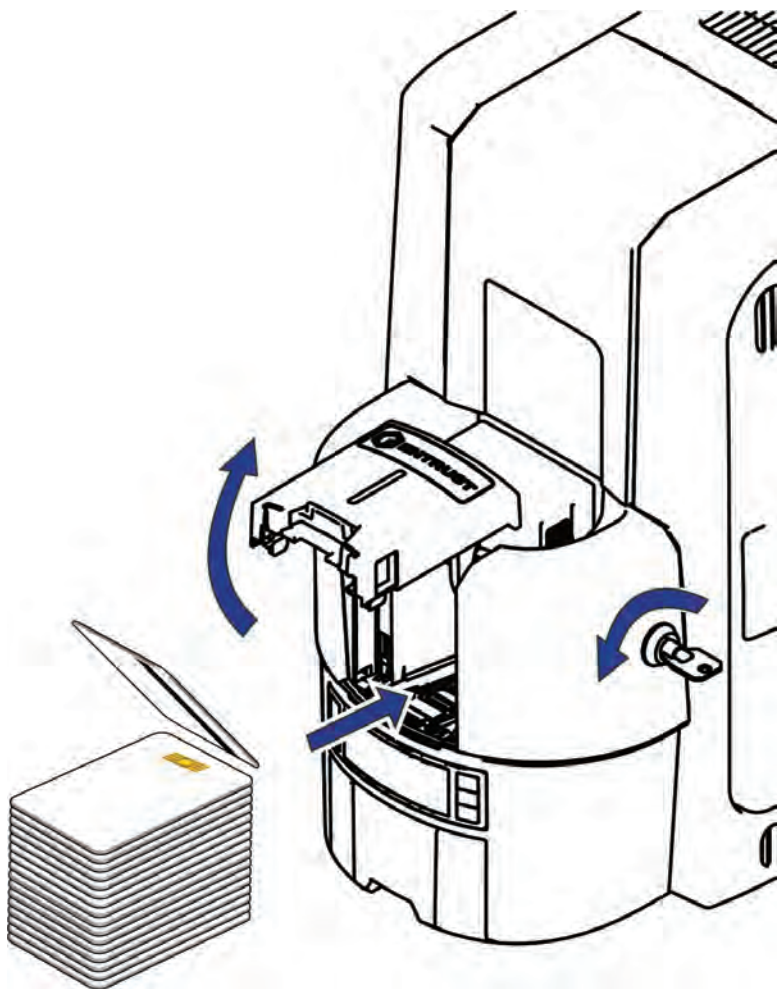
H = Peso de cartão

I = Porta do cartucho

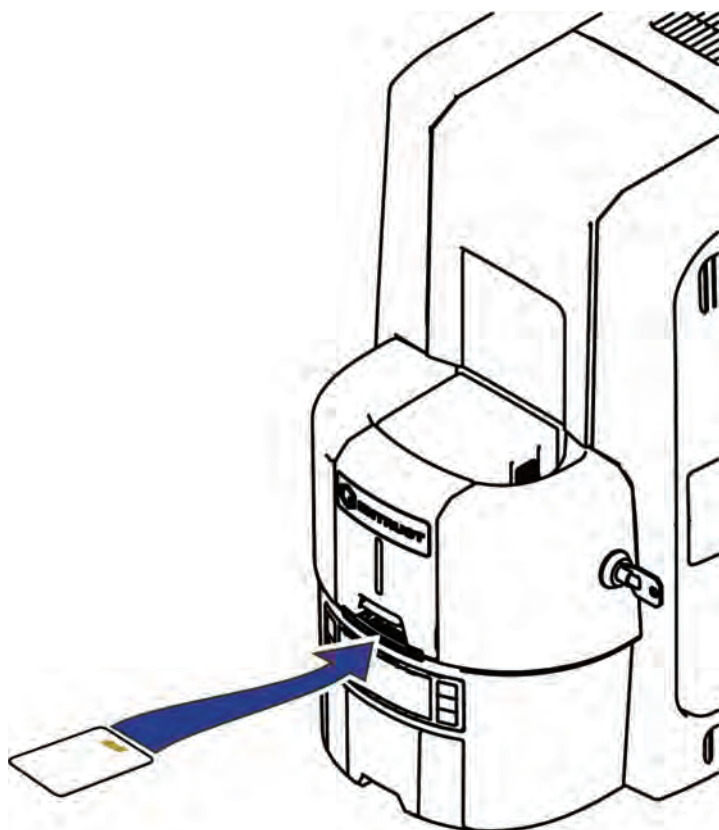
J = Botão de liberação da porta do cartucho

K = Trava da impressora

Carregar cartões em uma impressora com compartimento único



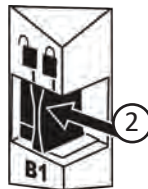
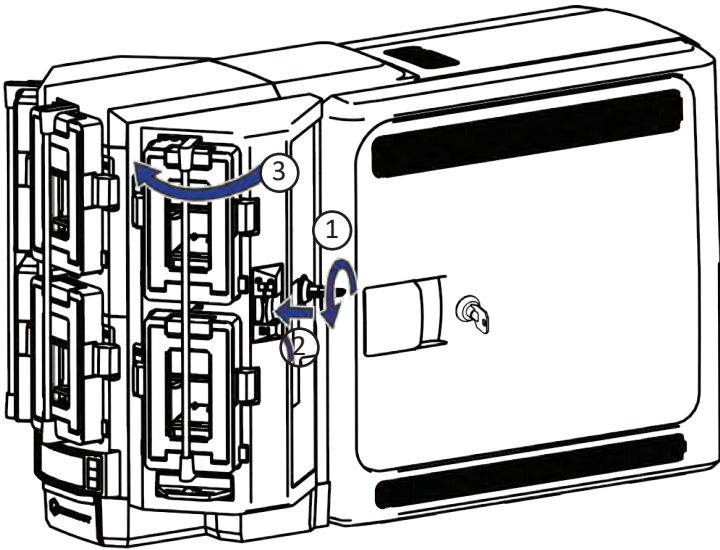
Utilizar a abertura de exceção



Carregar cartões em uma impressora com multicompartimento

a

1. Destrave a trava do multicompartimento.
2. Deslize o botão de liberação da barra de trava (B1) para a esquerda.

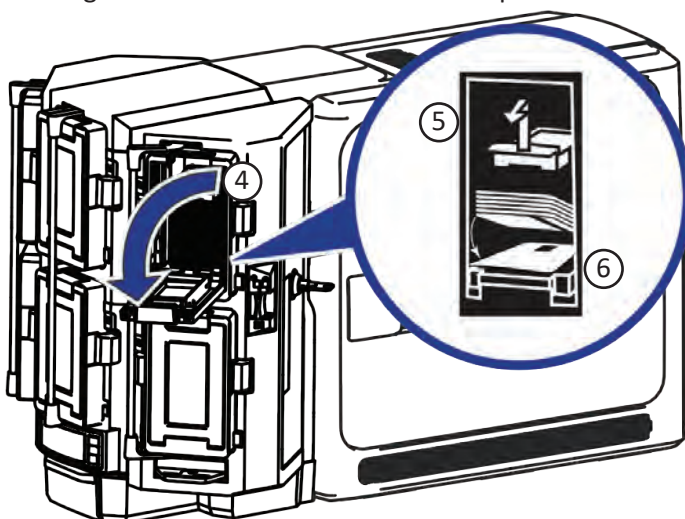


Sistema de emissão financeira instantânea Artista RS4

Carregar cartões em uma impressora com multicompartmento (cont.)

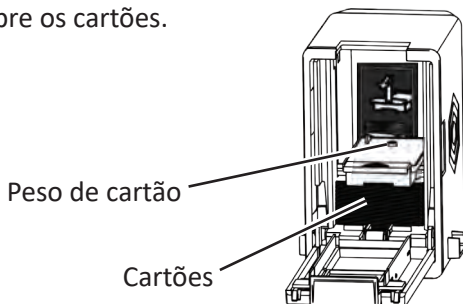
b

3. Gire uma barra de trava para a esquerda.
4. Pressione o botão de liberação do cartucho na parte superior do cartucho e abra a porta do cartucho.
5. Levante o peso de cartão até a parte superior do cartucho e puxe-o para frente até que ele trave na posição.
6. Carregue os cartões no cartucho do compartimento.



c

Feche a porta do cartucho para liberar o peso de cartão para que ele fique sobre os cartões.

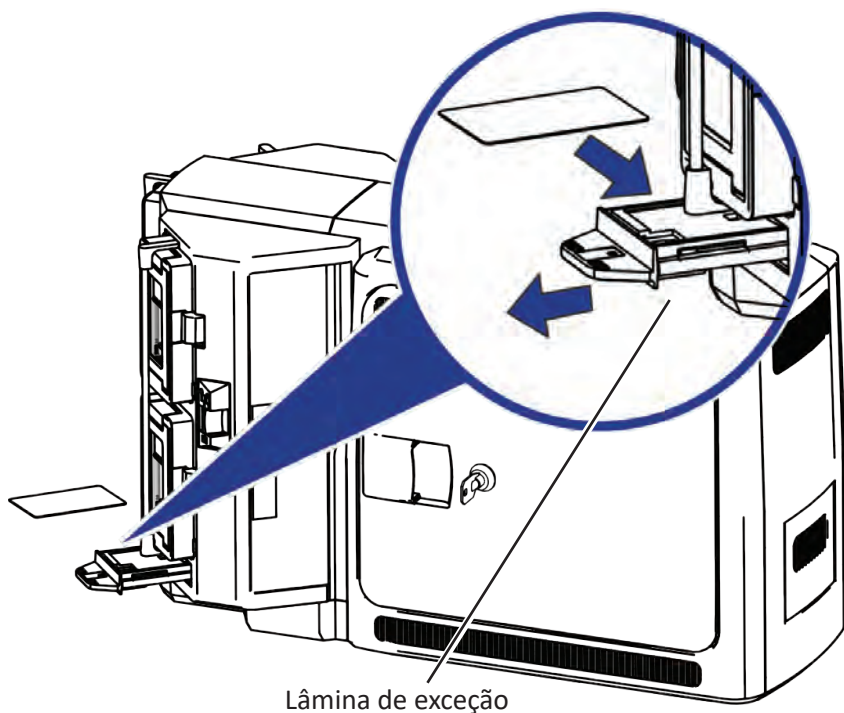


d

Repita para cada cartucho do compartimento de entrada.
Retorne todas as travas para a posição travada quando terminar.

Utilizar a lâmina de exceção do multicompartimento

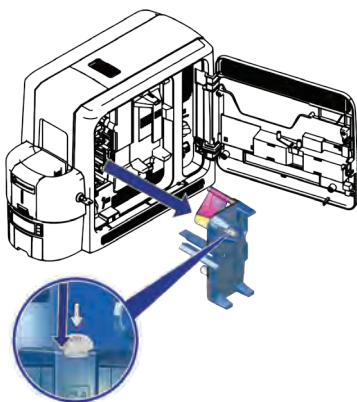
- a** Puxe a lâmina de exceção do multicompartimento e insira o cartão.



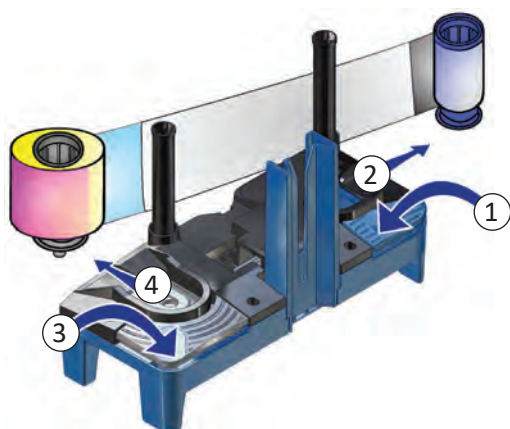
- b** Empurre a lâmina de exceção.

Substituir a fita de tinta colorida

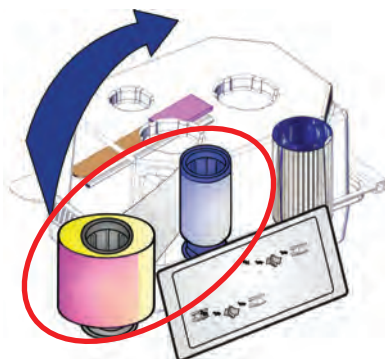
a



b

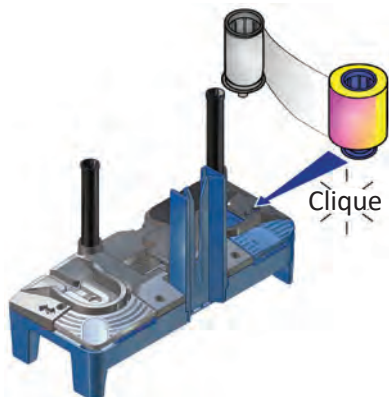


c

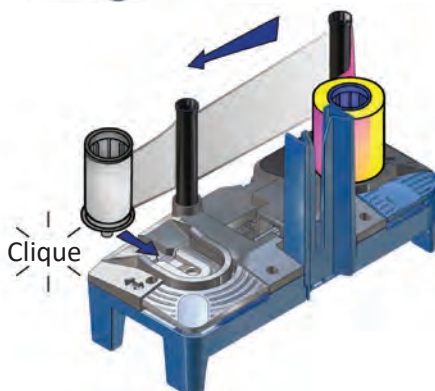


Substituir a fita de tinta colorida (cont.)

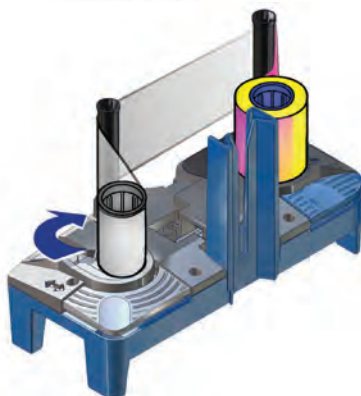
d



e



f

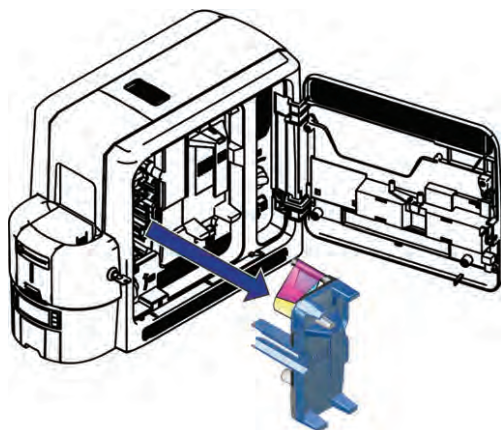


g

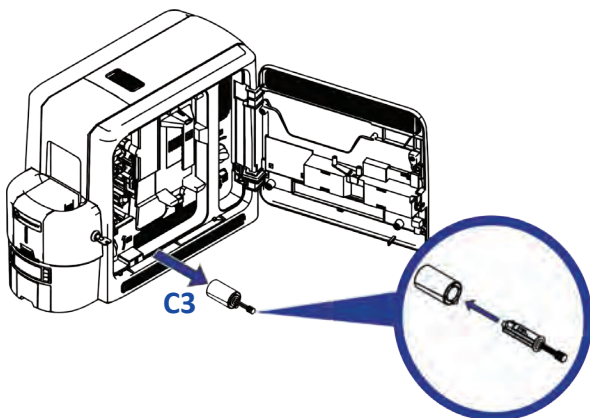
Substitua o cartucho de fita de tinta na impressora.

Substituir a capa de limpeza

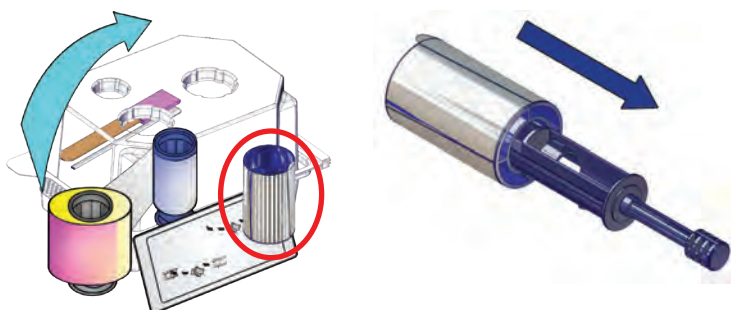
a



b



c

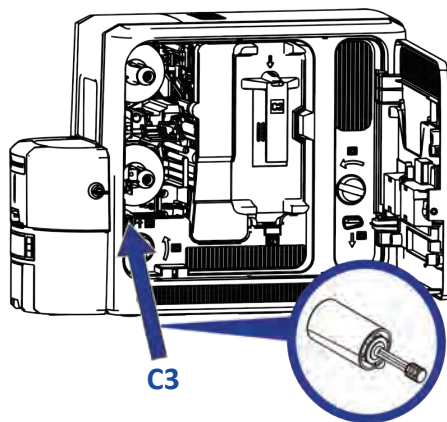


Substituir a capa de limpeza (cont.)

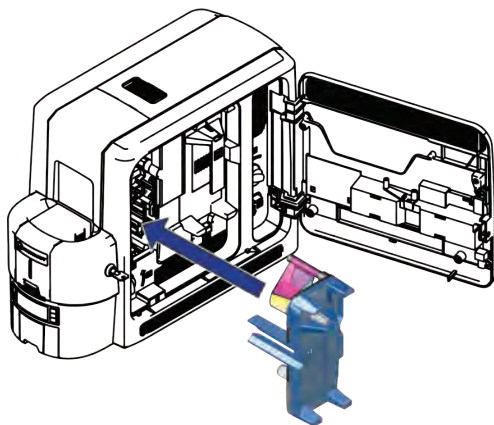
d



e

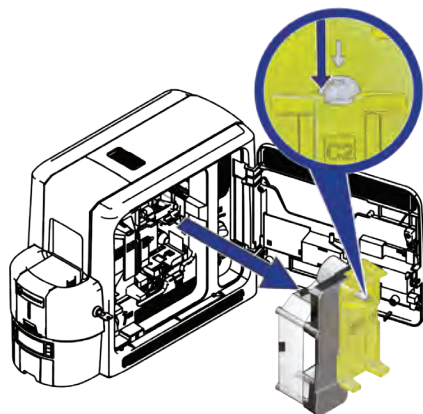


f

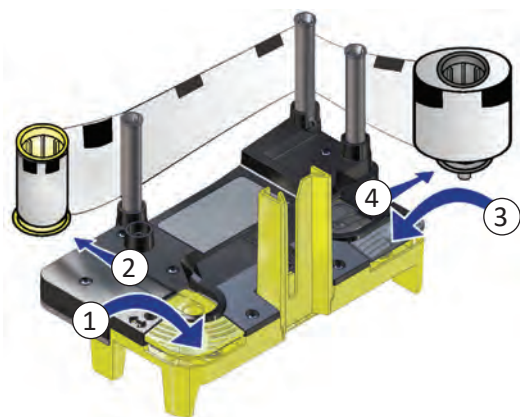


Substituir o filme de retransferência

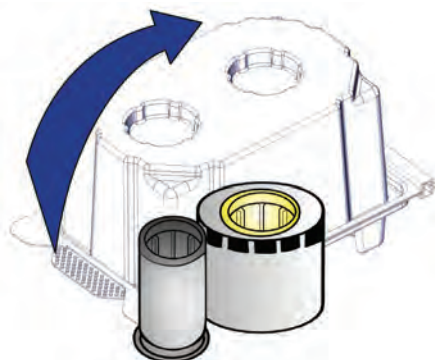
a



b

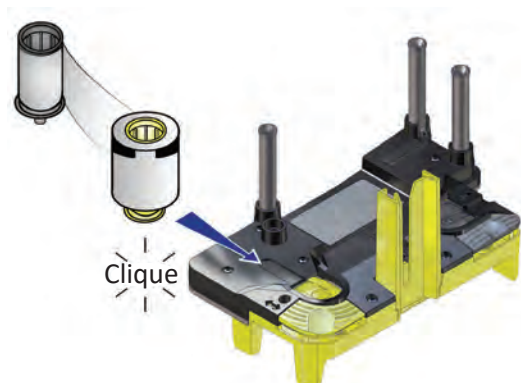


c

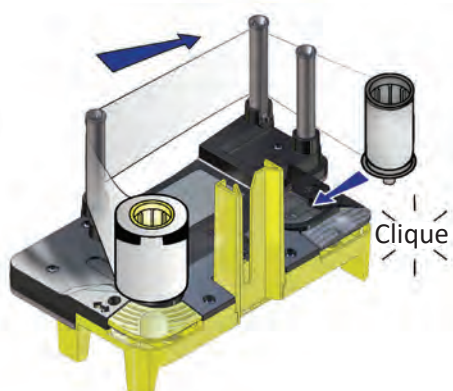


Substituir o filme de retransferência (cont.)

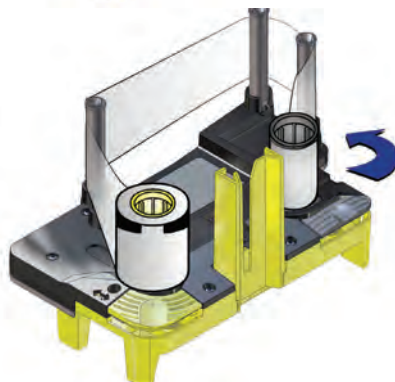
d



e



f

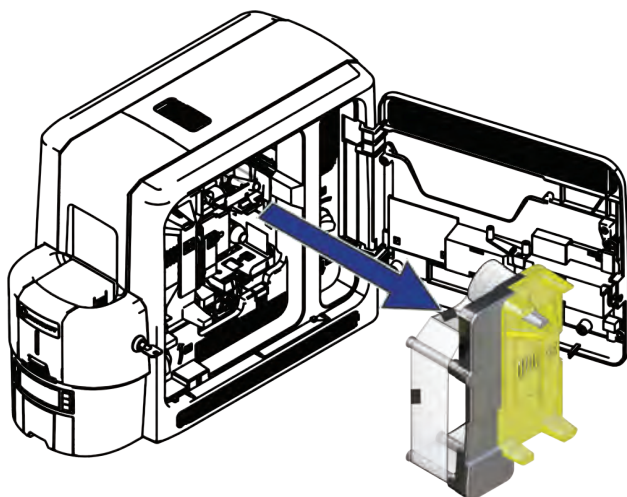


g

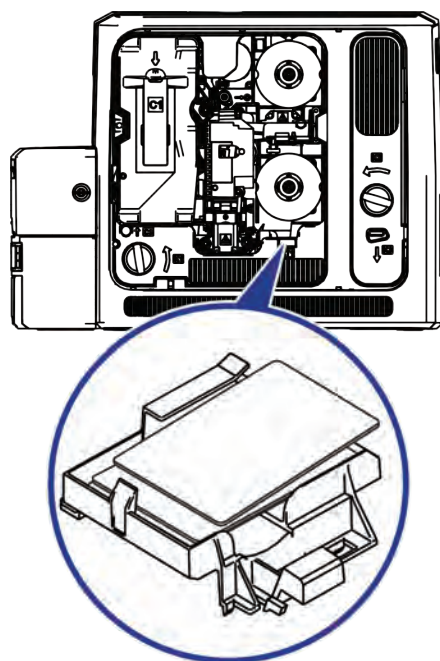
Substitua o cartucho de filme de retransferência na impressora.

Esvaziar a bandeja de rejeições

a



b

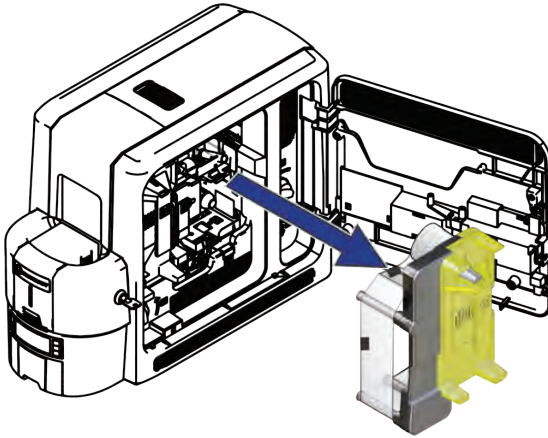


Liberar atolamento de cartões na transportadora horizontal K1

Impressora com compartimento único

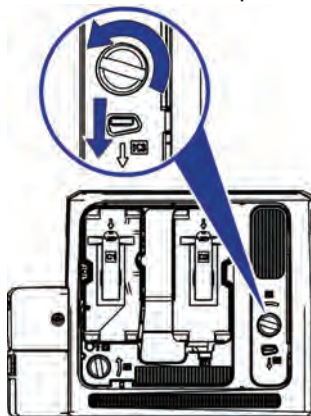
a

Destrave a impressora e abra a porta de acesso da impressora.
Remova o cartucho de filme de retransferência.



b

Gire o botão de avanço manual K1 no sentido anti-horário para mover o cartão emperrado no compartimento de saída.
Remova o cartão utilizando o compartimento de saída.



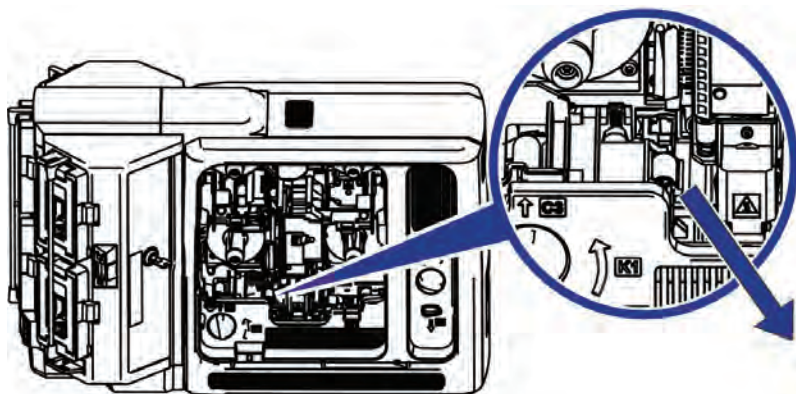
c

Substitua o cartucho de filme de retransferência, feche e trave a impressora.

Liberar atolamento de cartões na transportadora horizontal K1 (cont.)

Impressora com multicompartmento

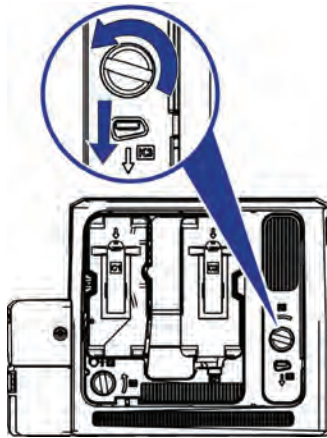
- a**
1. Destrave a impressora e abra a porta de acesso da impressora.
 2. Remova a fita de tinta e retransfira os cartuchos de filme.
 3. Localize o cartão na impressora. Gire o botão de avanço manual K1, se necessário, para acessar o cartão.



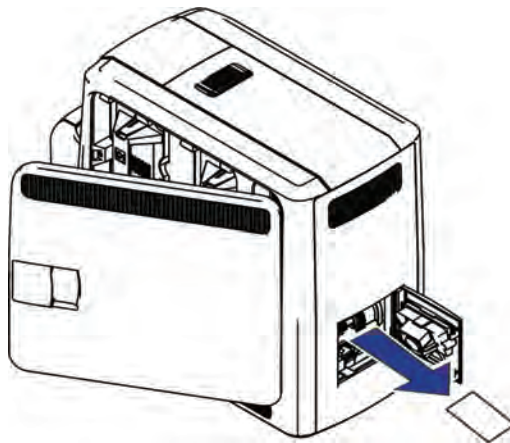
- b**
4. Remova o cartão da impressora.
Substitua os cartuchos e feche e trave a impressora.

Liberar atolamento de cartões na transportadora vertical K2

- a**
1. Destrave a impressora e abra a porta de acesso da impressora.
 2. Pressione a liberação da porta de acesso traseira K3 para abrir a porta de acesso traseira.
 3. Gire o botão de avanço manual K2 no sentido anti-horário para mover o cartão emperrado dentro do transporte vertical até que possa ser acessado pela porta de acesso traseira.



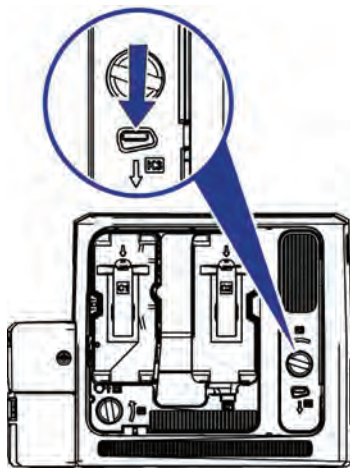
- b** Remova o cartão pela porta de acesso traseira.



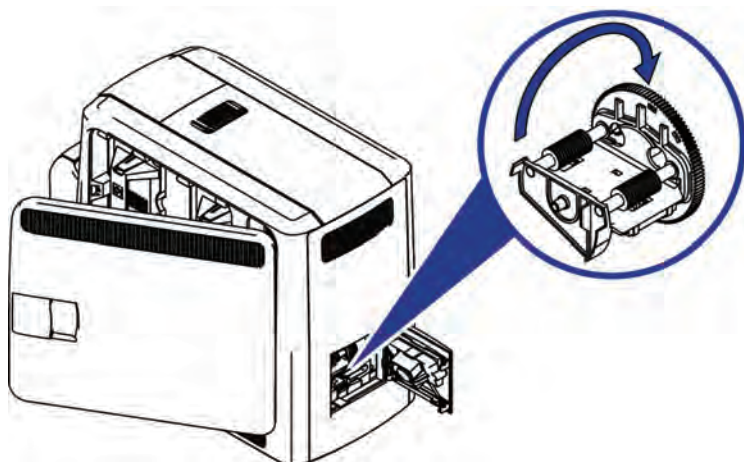
- c** Feche as portas da impressora e trave a impressora.

Liberar atolamento de cartões no flipper

- a** Destrave a impressora e abra a porta de acesso da impressora.
Pressione a liberação da porta de acesso traseira K3 para abrir a porta de acesso traseira.



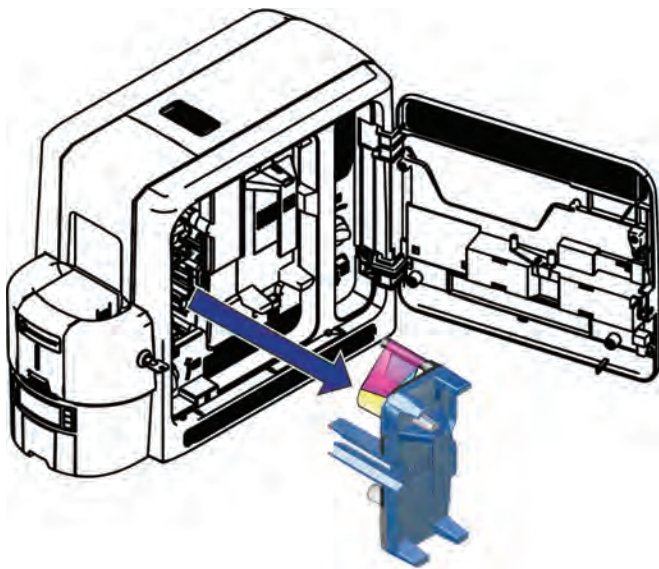
- b** Gire o módulo do flipper para acessar o cartão.
Remova o cartão pela porta de acesso traseira.



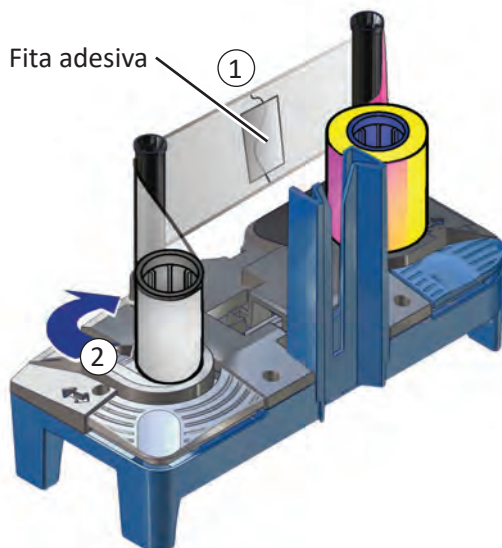
- c** Feche as portas da impressora e trave a impressora.

Consertar fita de tinta rompida

a

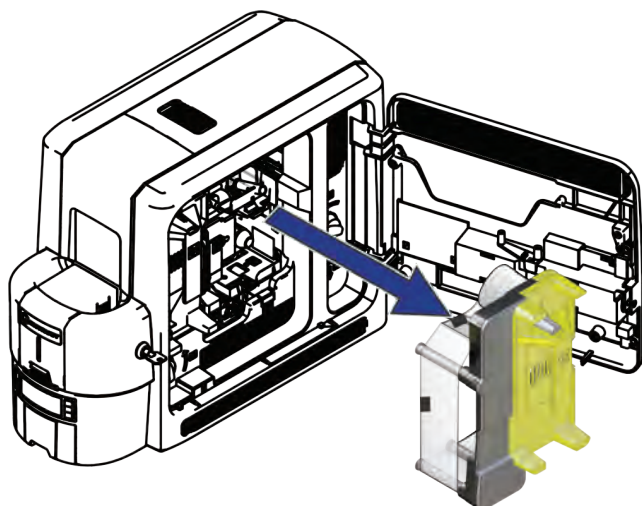


b

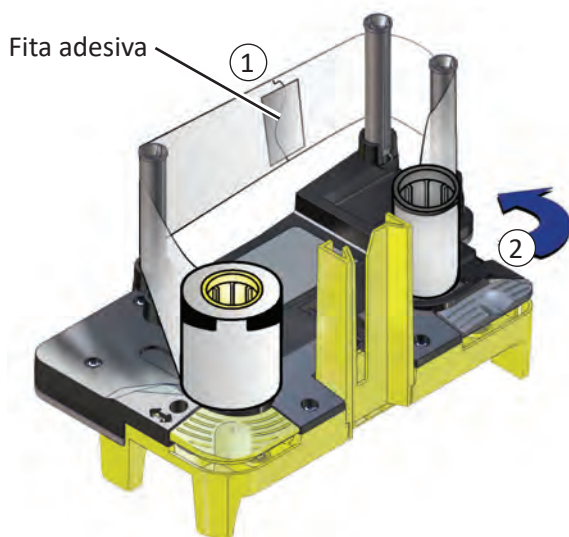


Consertar filme de retransferência rompido

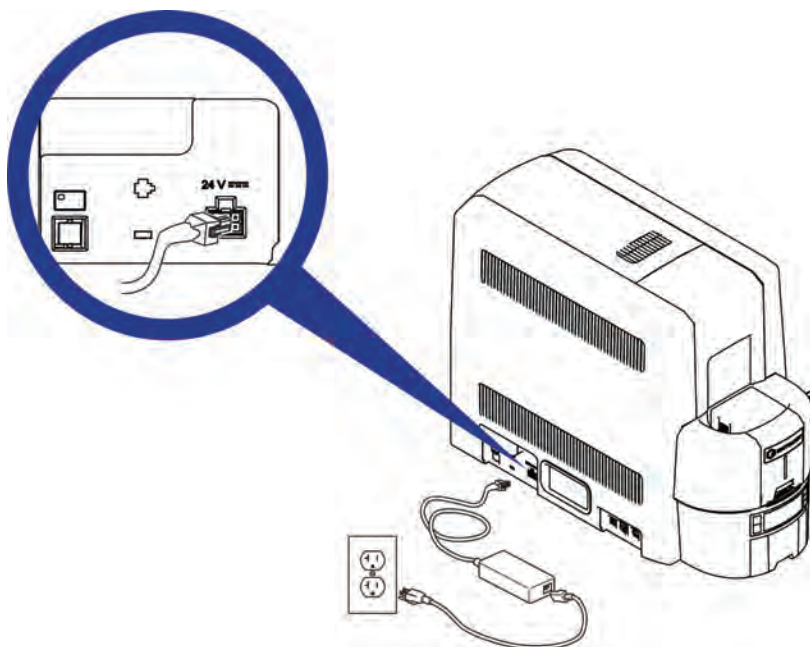
a



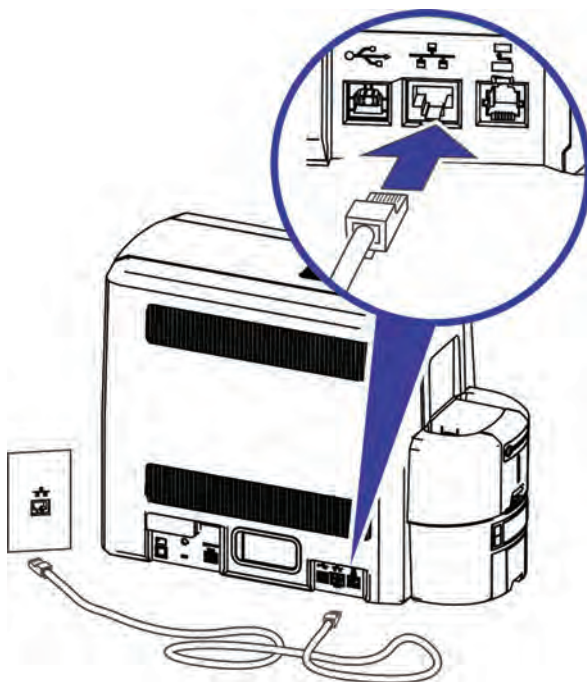
b



Verificar a alimentação de energia



Verificar a conexão de dados



Mensagens comuns no LCD

Mensagem de erro	Consulte:
112: Compartimento de cartões vazio	"Carregar cartões em uma impressora com compartimento único" na página 5 "Utilizar a abertura de exceção" na página 6 "Carregar cartões em uma impressora com compartimento" na página 7 "Utilizar a lâmina de exceção do compartimento" na página 9
166: Suprimento C2 vazio ou não encontrado	
167: Suprimento C2 não identificado	"Substituir o filme de retransferência" na página 14
168: Suprimento C2 não suportado	
172: Desligamento incorreto	"Verificar a alimentação de energia" na página 23 "Verificar a conexão de dados" na página 24
175: Erro de suprimento C2	"Consertar filme de retransferência rompido" na página 22
234: Atolamento de cartões na transportadora K1	"Liberar atolamento de cartões na transportadora horizontal K1" na página 17
235: Atolamento de cartões na transportadora K2	"Liberar atolamento de cartões na transportadora vertical K2" na página 19
236: Erro de rotação do módulo flipper	"Liberar atolamento de cartões no flipper" na página 20
237: Suprimento C1 vazio ou não encontrado	
238: Suprimento C1 não identificado	"Substituir a fita de tinta colorida" na página 10 "Substituir a capa de limpeza" na página 12
239: Suprimento C1 não suportado	
240: Erro de suprimento C1	"Consertar fita de tinta rompida" na página 21
242: Bandeja de rejeições RT1 cheia	"Esvaziar a bandeja de rejeições" na página 16
277: Erro no seletor multicompartimento	"Carregar cartões em uma impressora com multicompartimento" na página 7

Problemas comuns de qualidade de impressão

Problema	Causa	Solução
Pontos de cor não repetidos em cartões	Pó na fita de tinta ou filme de retransferência	<ul style="list-style-type: none">• Avançar o suprimento ou• "Substituir a fita de tinta colorida" na página 10• "Substituir o filme de retransferência" na página 14
Aparecem vincos nos cartões	Suprimentos estão vincados	<ul style="list-style-type: none">• Avançar o suprimento ou• "Substituir a fita de tinta colorida" na página 10• "Substituir o filme de retransferência" na página 14
Imagens borradas ou descoloridas Pequenas áreas não impressas em cartões	<ul style="list-style-type: none">• Impressões digitais, detritos ou arranhões em cartões• Detritos dentro da impressora• O cabeçote de impressão está sujo	<ul style="list-style-type: none">• Certifique-se de que os cartões estão limpos• Limpe a impressora. Consulte "Cronograma de limpeza" na página 27• "Substituir a capa de limpeza" na página 12• "Limpar o cabeçote de impressão" na página 36
Repetição de pontos coloridos em vários cartões	Poeira ou detritos nos rolos de came	"Limpar os rolos da came do cabeçote de impressão" na página 40
Listras coloridas ou brancas aparecem nos cartões	Poeira ou detritos no cabeçote de impressão	<ul style="list-style-type: none">• Imprima outro cartão para ver se o problema continua• "Limpar o cabeçote de impressão" na página 36

- Consulte o *Guia do usuário do sistema de emissão instantânea CR825 e CE875* para obter informações adicionais sobre solução de problemas.
- Consulte também "Cronograma de limpeza" na página 27 para obter recomendações de práticas recomendadas para a manutenção da impressora.

Cronograma de limpeza

Siga o cronograma de limpeza recomendado para a manutenção da impressora e obtenção da melhor qualidade de impressão.

Cronograma	Ação	Procedimento
Quando trocar a fita de tinta	Limpe a impressora com o cartão de limpeza de isopropanol.	<ul style="list-style-type: none"> "Impressora com compartimento único" na página 28 "Impressora com multicompartimento" na página 29
	Substituir a capa de limpeza (C3).	"Substituir a capa de limpeza" na página 12
	Limpe o cabeçote de impressão.	"Limpar o cabeçote de impressão" na página 36
Se você vir partículas em cartões finalizados	Substituir a capa de limpeza (C3).	"Substituir a capa de limpeza" na página 12
	Limpe a impressora com o cartão de limpeza adesivo.	<ul style="list-style-type: none"> "Impressora com compartimento único" na página 32 "Impressora com multicompartimento" na página 33
Se você vir linhas coloridas ou brancas em cartões finalizados	Limpe o cabeçote de impressão.	"Limpar o cabeçote de impressão" na página 36
Se você vir repetição de pontos coloridos em cartões finalizados	Limpe os rolos da came do cabeçote de impressão.	"Limpar os rolos da came do cabeçote de impressão" na página 40



Ao limpar a impressora usando o cartão de limpeza de isopropanol ou adesivo, remova a fita de tinta (C1), os cartuchos do filme de retransferência (C2) e a capa de limpeza.

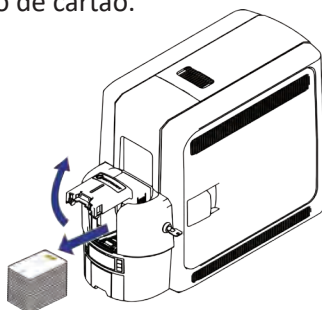
Usar o cartão de limpeza de isopropanol

Use o cartão de limpeza de isopropanol regularmente para limpar a impressora. Consulte "[Cronograma de limpeza](#)" na página 27.

Impressora com compartimento único

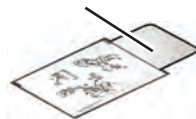
a Destrave a impressora e remova os cartuchos de alimentação e a capa de limpeza.

Abra o compartimento de entrada e remova os cartões não impressos. Manuseie os cartões pelas bordas ou use luvas de inspeção de cartão.



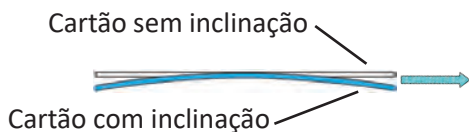
b Abra a embalagem do cartão de limpeza e remova o cartão de limpeza de isopropanol.

Cartão de limpeza de isopropanol



c Carregue o cartão de limpeza no compartimento de entrada.

Se o cartão de limpeza parecer inclinado, insira-o conforme mostrado.



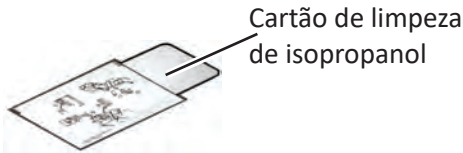
d Feche o compartimento de entrada e trave a impressora.
Continue com "[Executar o cartão de limpeza de isopropanol](#)" na página 30.

Usar o cartão de limpeza de isopropanol (cont.)

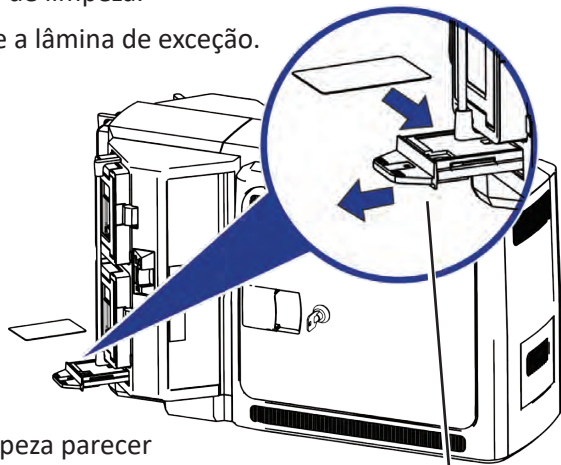
Impressora com multicompartimento

a Destrave a impressora e remova os cartuchos de alimentação e a capa de limpeza.

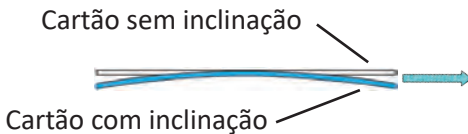
b Remova o cartão de limpeza da embalagem.



- c**
1. Puxe a lâmina de exceção do multicompartimento e insira o cartão de limpeza.
 2. Empurre a lâmina de exceção.



Se o cartão de limpeza parecer inclinado, insira-o conforme mostrado.



Lâmina de exceção

d Continue com "Executar o cartão de limpeza de isopropanol" na página 30.

Usar o cartão de limpeza de isopropanol (cont.)

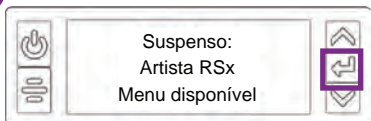
Executar o cartão de limpeza de isopropanol

a Use o painel LCD para executar o cartão de limpeza de isopropanol.

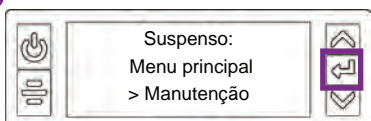
1



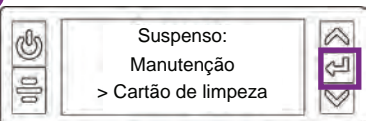
2



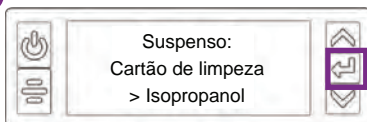
3



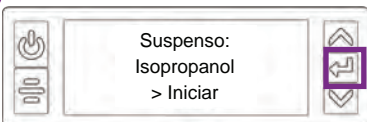
4



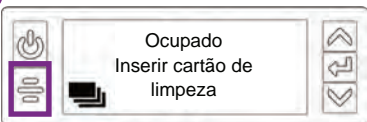
5



6



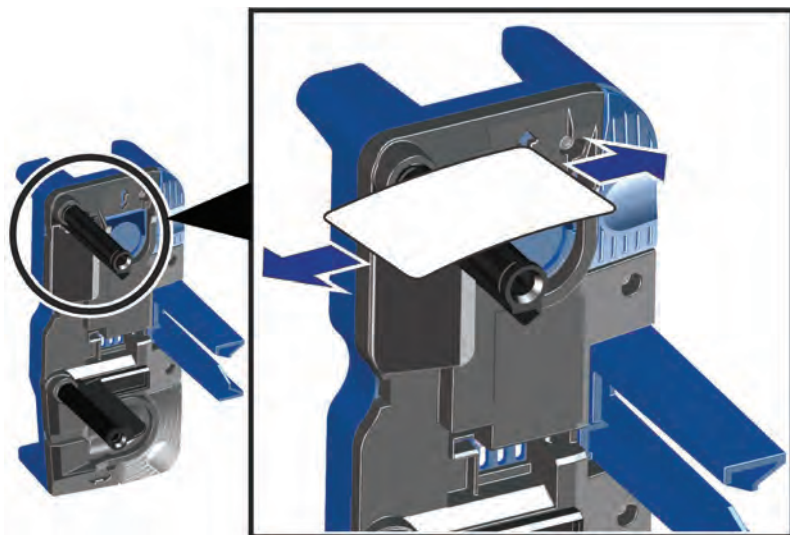
7



O cartão de limpeza é ejetado na bandeja de rejeições da impressora (RT1). Recupere e guarde o cartão de limpeza para limpar a guia superior da fita.

Usar o cartão de limpeza de isopropanol (cont.)

- b** Depois que o cartão de limpeza for usado para limpar a impressora, reutilize-o para limpar os resíduos da guia superior da fita no cartucho de fita.



- c** Substitua os cartuchos de suprimento na impressora e os cartões no compartimento único de entrada.

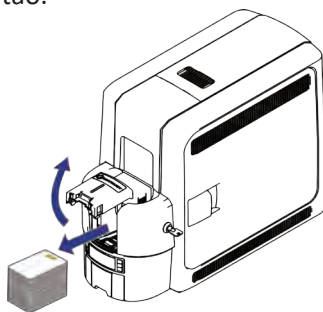
Use o cartão de limpeza adesivo

Use o cartão de limpeza adesivo para remover partículas resultantes do processo de retransferência. Consulte "[Cronograma de limpeza](#)" na [página 27](#) para obter informações sobre quando usar o cartão de limpeza adesivo.

Impressora com compartimento único

a Destrave a impressora e remova os cartuchos de alimentação e a capa de limpeza.

Abra o compartimento de entrada e remova os cartões não impressos. Manuseie os cartões pelas bordas ou use luvas de inspeção de cartão.



b Retire as tiras centrais de ambos os lados do cartão de limpeza adesivo. Deixe as tiras laterais no lugar.

Retire apenas as tiras do centro



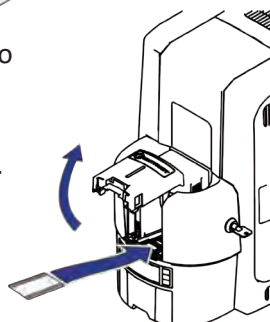
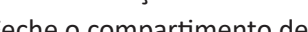
c Coloque o cartão de limpeza adesivo no compartimento de entrada.

Se o cartão de limpeza parecer inclinado, insira-o conforme mostrado.

Cartão sem inclinação



Cartão com inclinação



d Feche o compartimento de entrada e trave a impressora.
Continue com "[Execute o cartão de limpeza adesivo](#)" na [página 35](#).

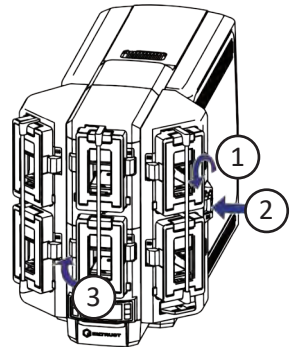
Usar o cartão de limpeza adesivo (cont.)

Impressora com multicompartimento

a Destrave a impressora e remova os cartuchos de alimentação e a capa de limpeza.

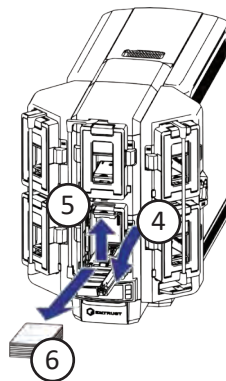
b

1. Destrave a trava da porta do multicompartimento.
2. Deslize o botão de liberação da barra de trava (B1) para a esquerda para liberar as barras de trava do compartimento.
3. Gire a barra de trava central para a esquerda para fornecer acesso aos cartuchos de entrada do multicompartimento H2 e H5.



c

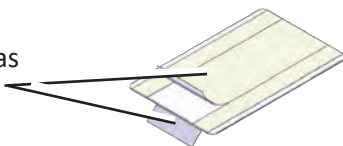
4. Pressione o botão de liberação do cartucho na parte superior do cartucho H2 e abra a porta do cartucho.
5. Levante o peso de cartão até a parte superior do cartucho e puxe-o cuidadosamente para frente até que ele trave na posição.
6. Remova os cartões não impressos do cartucho H2. Manuseie os cartões pelas bordas ou use luvas de inspeção de cartão.



Usar o cartão de limpeza adesivo (cont.)

- d** Retire as tiras centrais de ambos os lados do cartão de limpeza adesivo. Deixe as tiras laterais no lugar.

Retire apenas as
tiras do centro



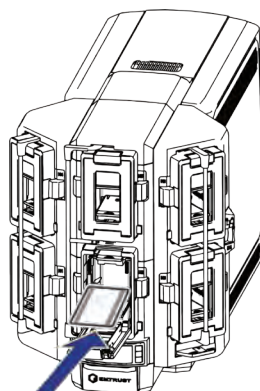
- e** Coloque o cartão de limpeza adesivo no cartucho H2 e feche a porta do cartucho.

Se o cartão de limpeza parecer inclinado, insira-o conforme mostrado.

Cartão sem inclinação



Cartão com inclinação



Não insira o cartão de limpeza adesivo na lâmina de exceção do multicompartimento.

- f** Trave o multicompartimento.

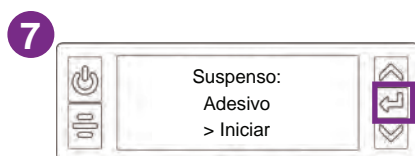
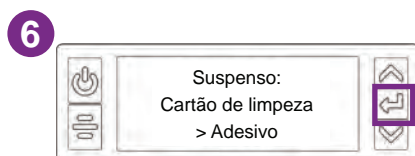
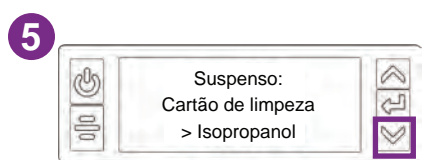
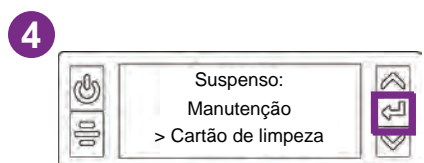
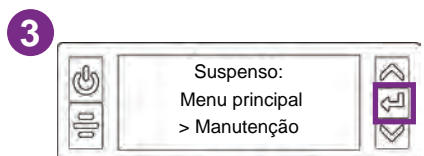
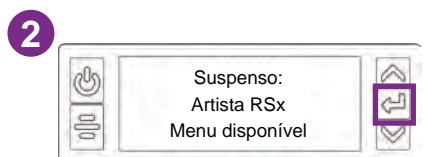
1. Gire a barra de trava central para a direita, para a posição de travamento.
2. Deslize o botão de liberação da barra de trava para a direita para travar as barras de trava no lugar.
3. Trave a trava da porta do multicompartimento.

- g** Continue com ["Execute o cartão de limpeza adesivo"](#) na página 35.

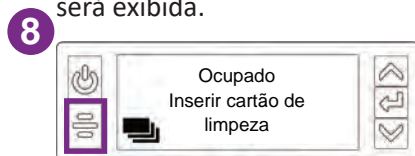
Usar o cartão de limpeza adesivo (cont.)

Execute o cartão de limpeza adesivo

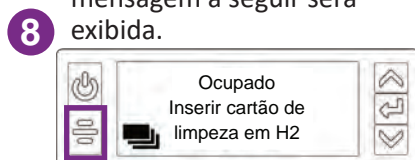
a Use o painel LCD para executar o cartão de limpeza adesivo.



Se você estiver limpando uma impressora com compartimento único, a mensagem a seguir será exibida.



OU Se você estiver limpando uma impressora com multicompartimento, a mensagem a seguir será exibida.



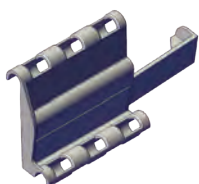
b Remova o cartão de limpeza adesivo da bandeja de rejeições da impressora.

c Recoloque os cartuchos de alimentação, instale uma nova capa de limpeza e substitua os cartões no compartimento de entrada, em impressora com compartimento único, ou o cartucho H2, em impressora com multicompartimento.

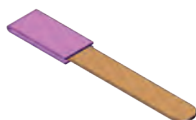
Limpar o cabeçote de impressão

Limpe o cabeçote de impressão a cada troca de fita de tinta ou se você observar problemas com a qualidade de impressão.

Use os seguintes itens para limpar o cabeçote de impressão.



Suporte do
bastão de
polimento



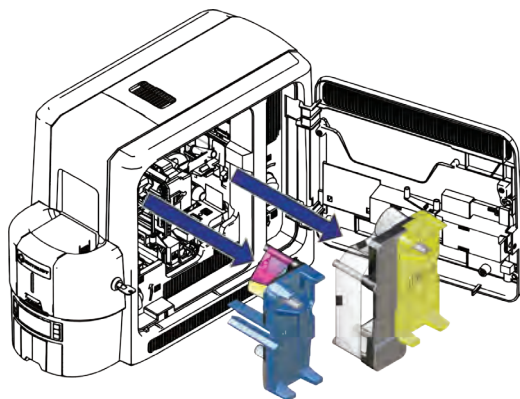
Bastão de
polimento



Hastes flexíveis
de limpeza

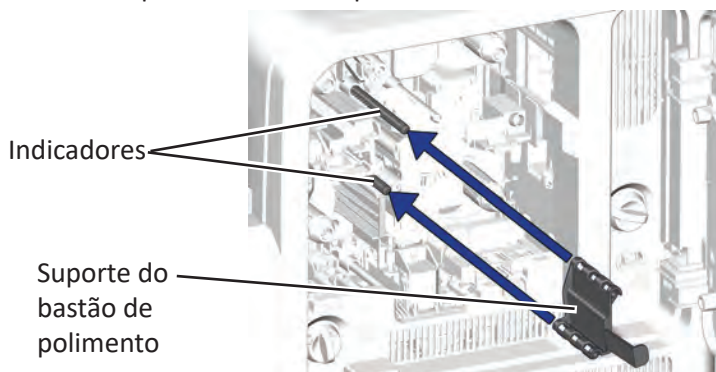
a

1. Desligue e destrave a impressora.
2. Abra a porta de acesso da impressora, remova a fita de tinta (C1) e retransfira os cartuchos de filme (C2).



Limpar o cabeçote de impressão (cont.)

- b** Insira o suporte do bastão de polimento na impressora. A ferramenta de suporte encaixa sobre os indicadores do cartucho e desliza para dentro da impressora.



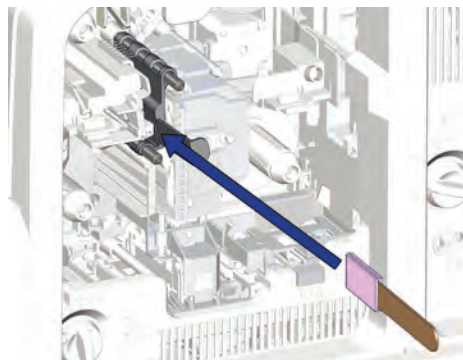
- c** Limpe o cabeçote de impressão com o bastão de polimento.



Não remova o papel de polimento rosa do bastão de polimento.

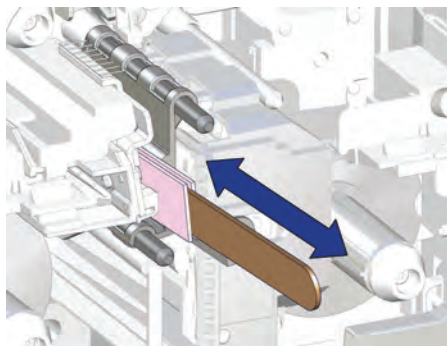


1. Insira o bastão de polimento na parte inferior da ferramenta de suporte. Deslize-o até que pare.



Limpar o cabeçote de impressão (cont.)

2. Mova o bastão de polimento três vezes para frente e para trás para limpar o cabeçote de impressão.



3. Remova o bastão de polimento da ferramenta de suporte.

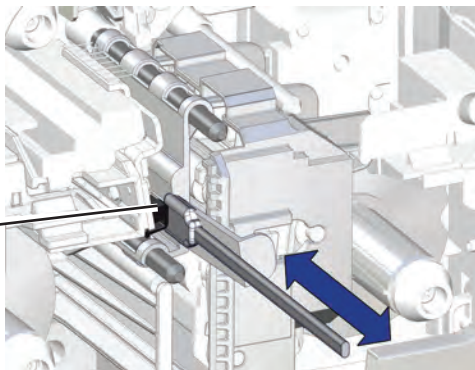


Você pode usar o bastão de polimento duas vezes, uma limpeza por lado. Guarde o bastão de polimento após o primeiro uso.

d Limpe o cabeçote de impressão usando a haste flexível de limpeza.

1. Abra a embalagem da haste flexível de limpeza.
2. Insira a haste flexível de limpeza na ferramenta de suporte. Centralize a haste flexível como mostrado na ilustração (ou em direção à parte superior da alça da ferramenta de suporte).

Centralize a haste flexível aqui



Limpar o cabeçote de impressão (cont.)

3. Mova a haste flexível de limpeza três vezes para frente e para trás para remover qualquer resíduo restante da área do cabeçote de impressão.
4. Remova a haste flexível de limpeza da ferramenta de suporte.

e

Remova a ferramenta de suporte da impressora.



Não descarte a ferramenta de suporte do bastão de polimento. Guarde-a para uso futuro de limpeza.

f

1. Recoloque os cartuchos da fita de tinta e do filme retransferência e feche e trave a porta de acesso da impressora.
2. Ligue a impressora.
3. Imprima um ou mais cartões de teste para verificar a qualidade de impressão.

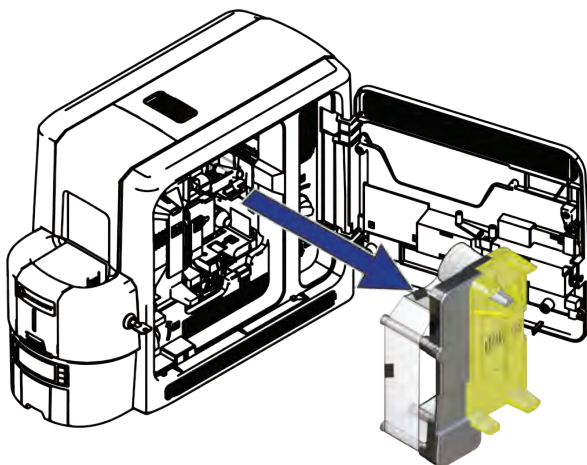


- Use apenas o bastão de polimento e a haste flexível de limpeza para limpar o cabeçote de impressão. Outros materiais podem grudar no cabeçote de impressão e causar danos.
- Descarte o bastão de polimento após o segundo uso.
- Use a haste flexível de limpeza apenas uma vez. Descarte a haste flexível após a limpeza do cabeçote de impressão.

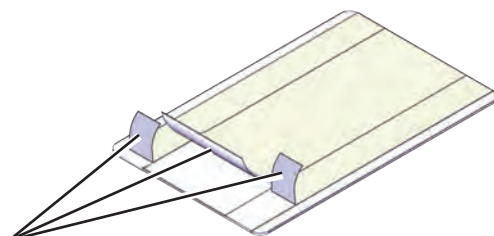
Limpar os rolos da came do cabeçote de impressão

Use o cartão de limpeza adesivo para limpar os rolos da came do cabeçote de impressão.

- a**
1. Desligue a impressora.
 2. Destrave a impressora e abra a porta de acesso da impressora.
 3. Remova o cartucho de filme de retransferência (C2) da impressora.



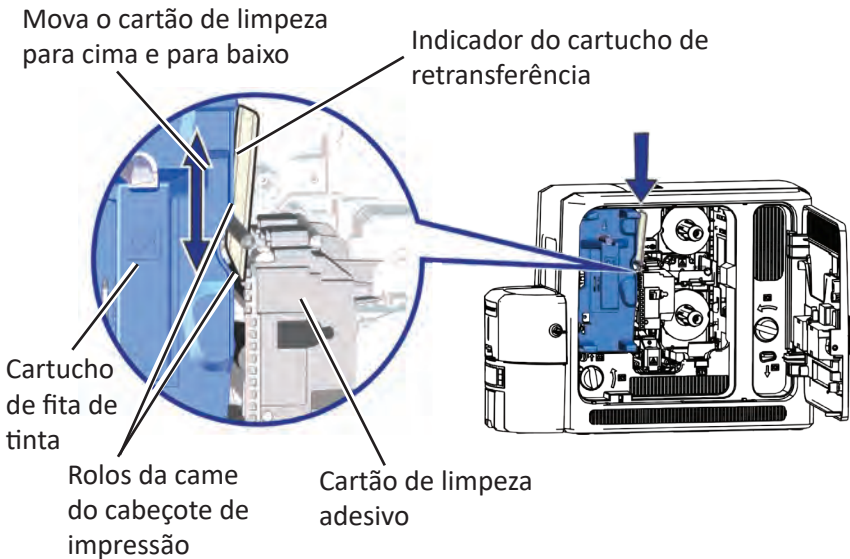
- b**
- Retire a tira do centro e as duas tiras laterais de um lado do cartão de limpeza adesivo.



Retire as tiras do centro
e as duas tiras laterais

Limpar os rolos da came do cabeçote de impressão (cont.)

- C** 1. Insira o cartão de limpeza na impressora entre o indicador do cartucho de retransferência e os rolos. Certifique-se de que o lado adesivo do cartão fique virado para a direita e em contato com os rolos.
2. Mova o cartão de limpeza para cima e para baixo ao longo dos rolos para remover os detritos.



- d** 1. Recoloque o cartucho do filme de retransferência.
2. Feche e trave a impressora.
3. Reinicie a impressora.

- e** Descarte o cartão de limpeza usado.

Notas

Notas

AVISO: este produto contém produtos químicos, incluindo chumbo, conhecido pelo estado da Califórnia como causador de câncer, defeitos congênitos ou outros danos reprodutivos. **Lave as mãos após o manuseio.**



AVISO: Este produto pode expô-lo a produtos químicos, incluindo Di(2-etilhexil) ftalato (DEHP), que é conhecido no estado da Califórnia por causar câncer, e Di(2-etilhexil) ftalato (DEHP) e Butil benzil ftalato (BBP), que são conhecidas pelo Estado da Califórnia por causar defeitos congênitos ou outros danos reprodutivos. Para obter mais informações, acesse www.P65Warnings.ca.gov e <https://www.entrust.com/legal-compliance/environmental-product-certifications>.



ENTRUST

1187 Park Place

Minneapolis, Minnesota 55379

952.933.1223 • 952.933.7971 Fax

www.entrust.com

Entrust, Sigma e o design hexagonal são marcas comerciais, marcas registradas e/ou marcas de serviço, e Datacard é uma marca registrada e marca de serviço, da Entrust Corporation nos Estados Unidos e em outros países. Todas as outras marcas comerciais pertencem a seus respectivos proprietários.

© 2024. O design e a informação contidos nestes materiais são protegidos



ENTRUST

用户参考指南

用户参考指南

Entrust Artista® RS4 金融卡 即时签发系统



ENTRUST

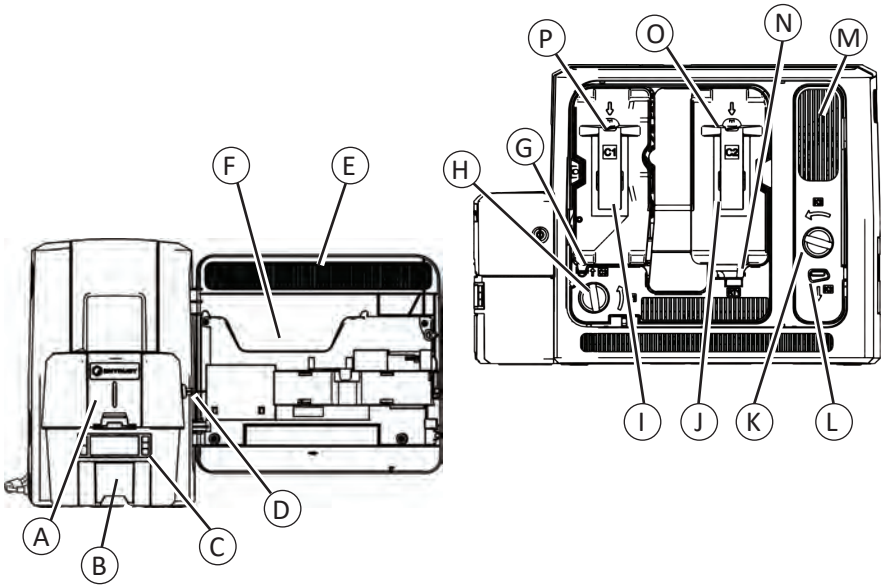
2024 年 10 月

528505-001ZHS, 修订版 A

目录

RS4 金融卡即时签发系统	3
具备可选多卡盒的 RS4 打印机	4
单卡盒打印机中的卡片装载	5
使用特例插槽	6
多卡盒打印机中的卡片装载	7
使用多卡盒特例滑块	9
更换彩色色带	10
更换清洁套管	12
更换再转印膜	14
清空废卡盒	16
清除 K1 水平输送卡片堵塞	17
清除 K2 垂直输送卡片堵塞	19
清除翻转模块中的卡片堵塞	20
修复破损色带	21
修复破损的再转印膜	22
检查电源连接	23
检查数据连接	24
常见液晶面板信息	25
常见的打印质量问题	26
清洁计划	27
异丙醇清洁卡的使用	28
胶粘剂清洁卡的使用	32
清洁打印头	36
清洁打印头凸轮滚子	40

RS4 金融卡即时签发系统



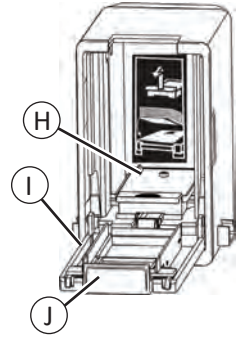
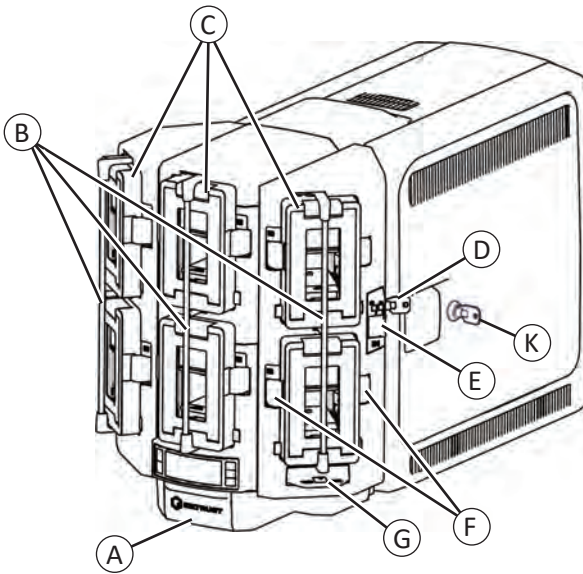
- A 入卡盒
- B 出卡盒
- C 前面板
- D 打印机锁
- E 打印机检修门
- F 用户参考指南插槽
- G 清洁主轴操纵钮 (C3)
- H 手动推进旋钮 (K1)
- I 色带盒 (C1)
- J 再转印盒 (C2)
- K 手动推进旋钮 (K2)
- L 后检修门释放按钮 (K3)
- M 垂直输送区域
- N 废卡盒 (RT1)
- O 再转印膜盒释放按钮
- P 色带盒释放按钮

前面板



Artista RS4 金融卡即时签发系统

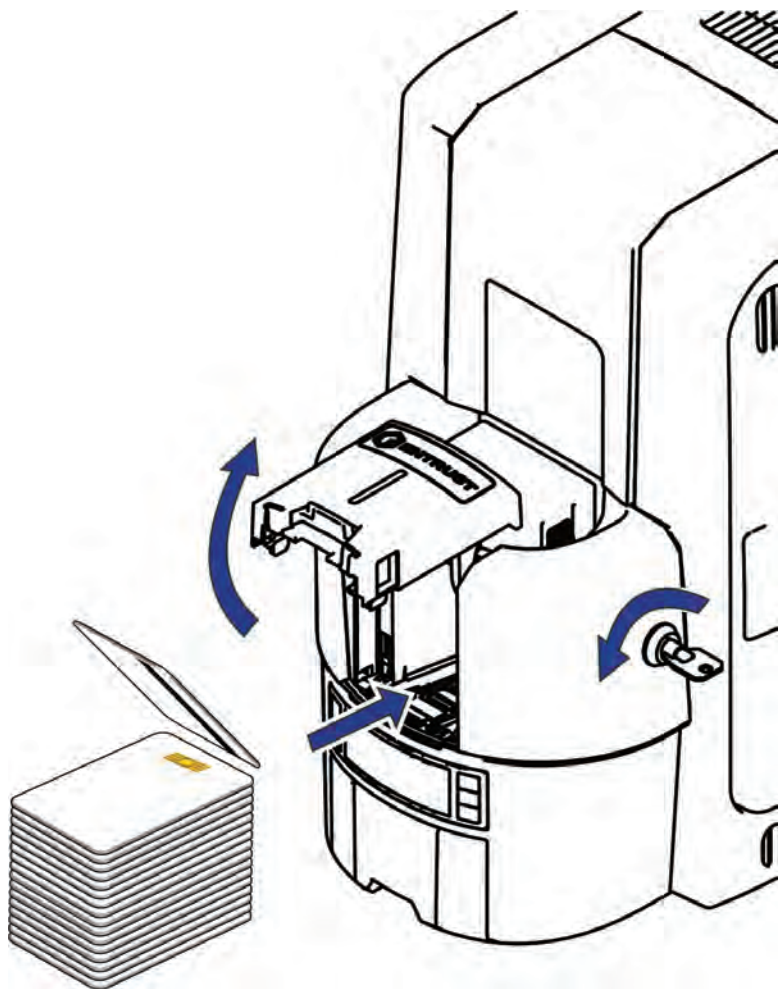
具备可选多卡盒的 RS4 打印机



- A = 出卡盒
- B = 卡盒锁杆
- C = 入卡盒 1 - 6
- D = 多卡盒锁
- E = 锁杆释放按钮 (B1)
- F = 色带盒释放按钮

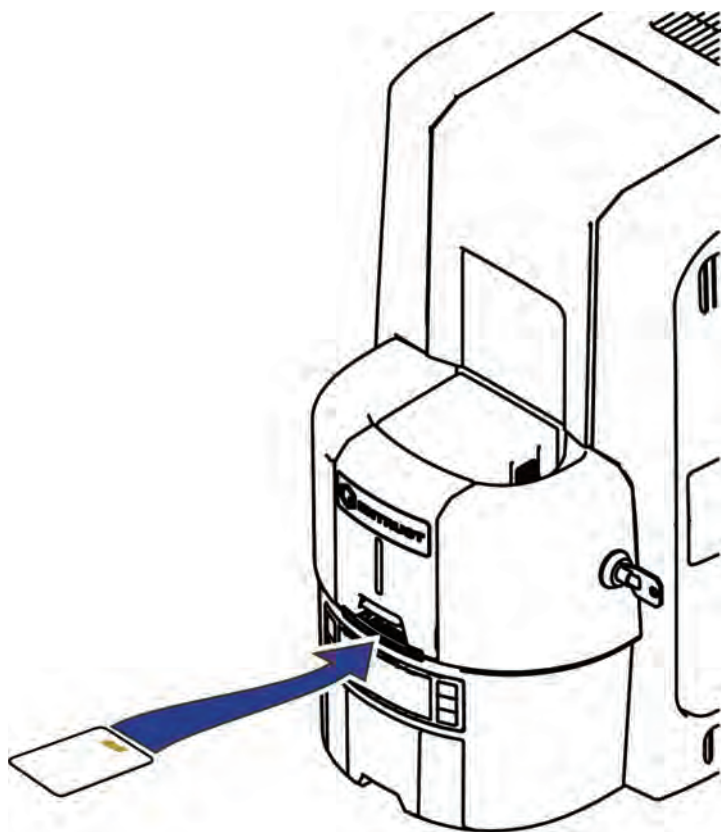
- G = 特例滑块
- H = 卡片压重
- I = 色带盒门
- J = 色带盒门释放按钮
- K = 打印机锁

单卡盒打印机中的卡片装载



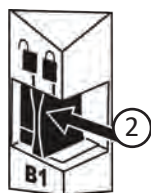
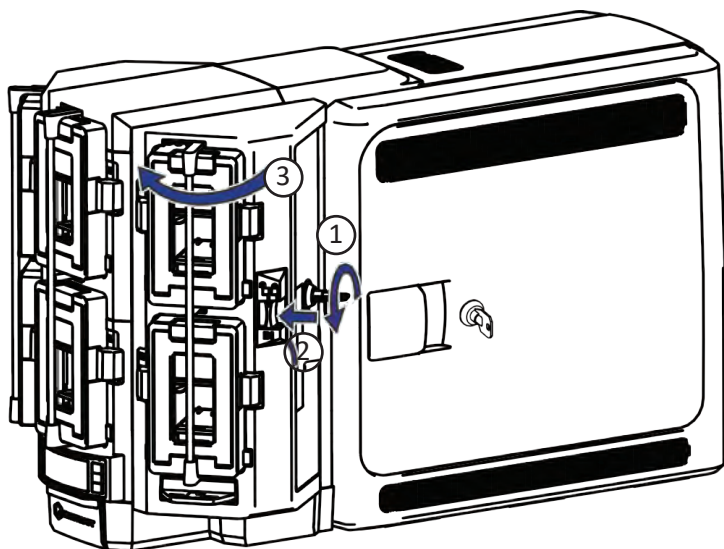
Artista RS4 金融卡即时签发系统

使用特例插槽



多卡盒打印机中的卡片装载

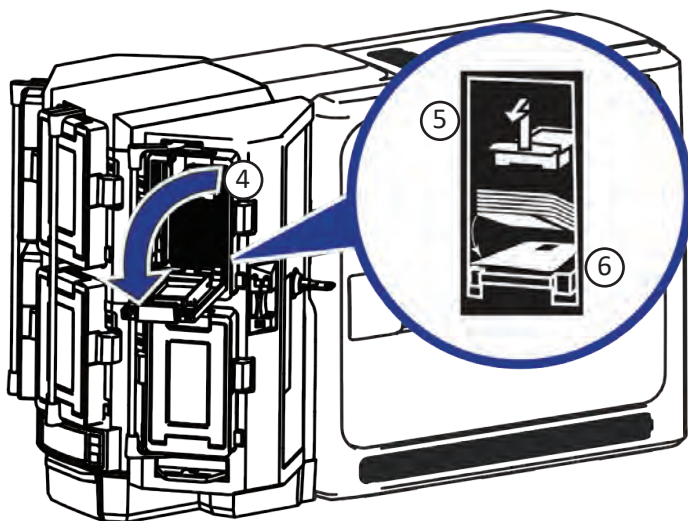
- a**
1. 打开多卡盒的锁。
 2. 向左滑动锁杆释放按钮 (B1)。
 3. 向左旋转锁杆。



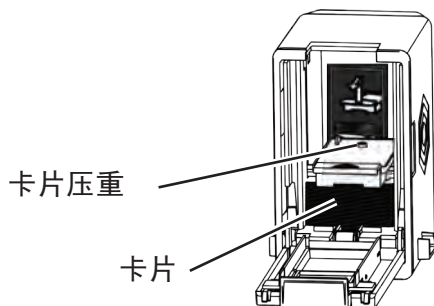
Artista RS4 金融卡即时签发系统

多卡盒打印机中的卡片装载 (续)

- b**
4. 按下色带盒顶部的色带盒释放按钮，然后打开色带盒门。
 5. 提起卡片压重至色带盒顶部，向前拉动以将其锁定到位。
 6. 在色带盒中装入卡片。



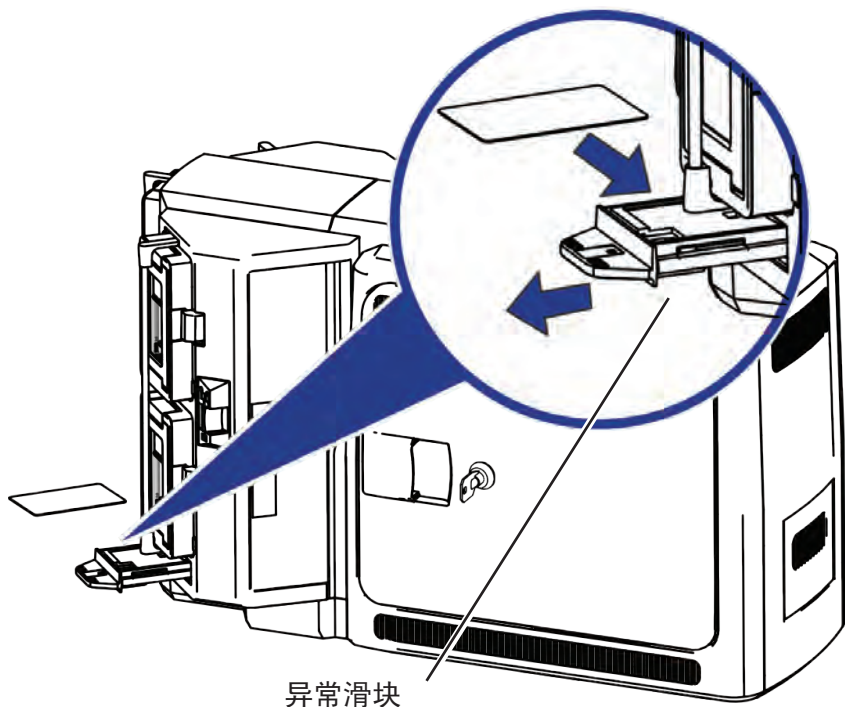
- c** 关闭色带盒门以释放卡片压重，使其压在卡片上面。



- d** 重复此操作，完成其他入卡盒的卡片放置。
操作结束后，确保将所有的锁恢复锁定状态。

使用多卡盒特例滑块

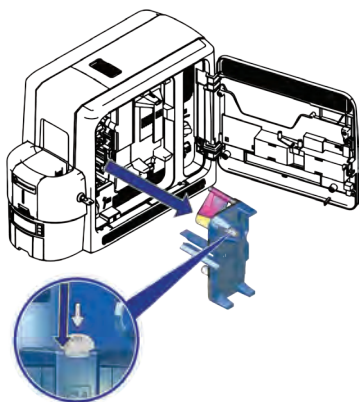
a 拉出多卡盒异常滑块并插入卡片。



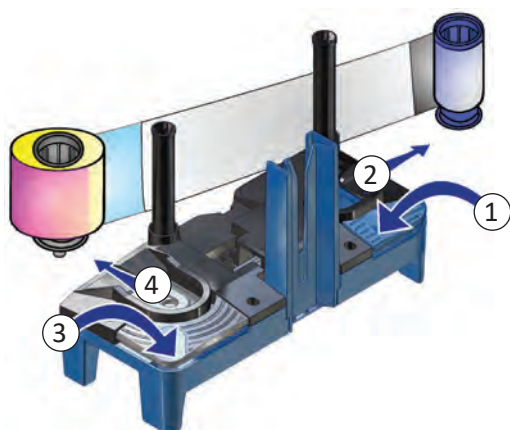
b 推入特例滑块。

更换彩色色带

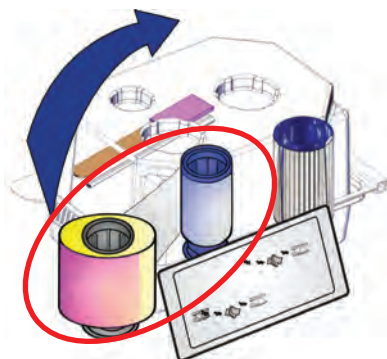
a



b



c

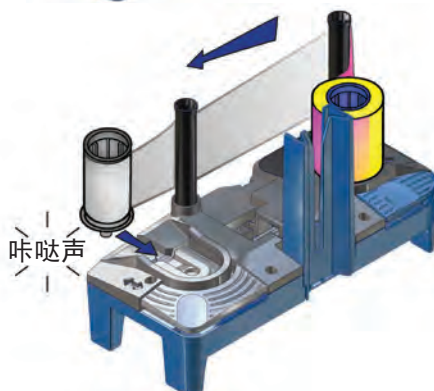


更换彩色色带 (续)

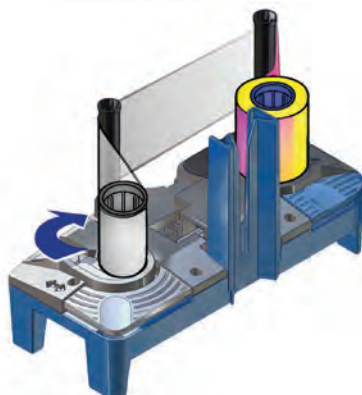
d



e



f



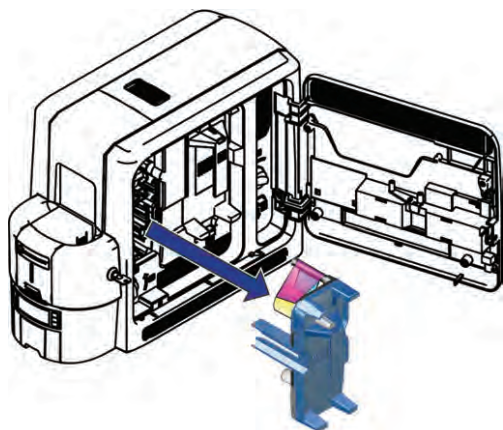
g

更换打印机中的色带盒。

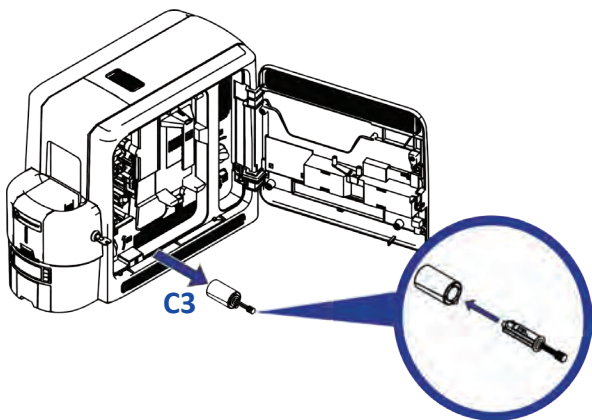
Artista RS4 金融卡即时签发系统

更换清洁套管

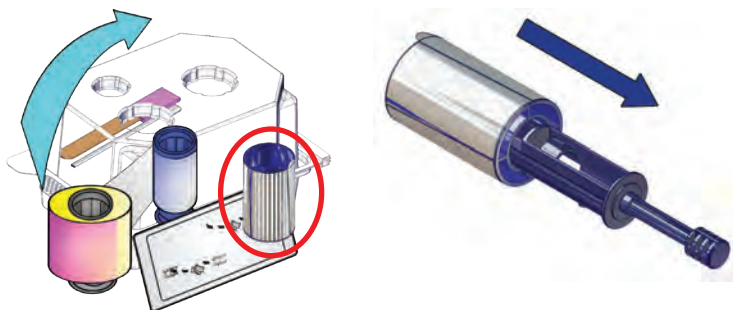
a



b

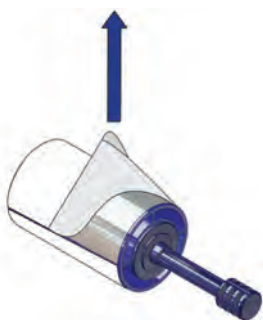


c

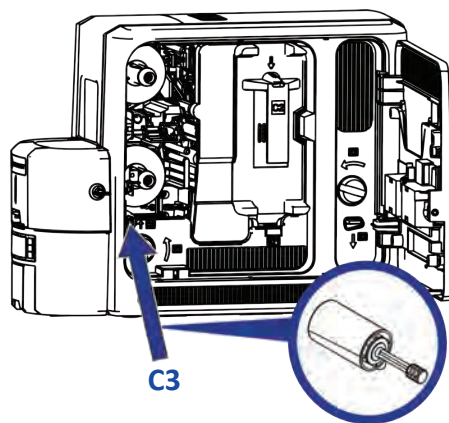


更换清洁套管 (续)

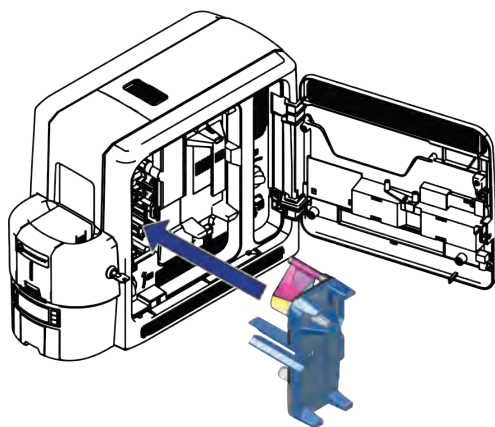
d



e



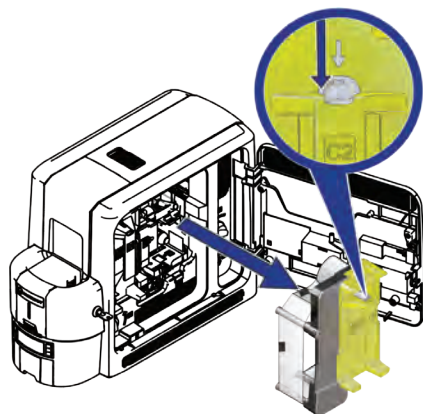
f



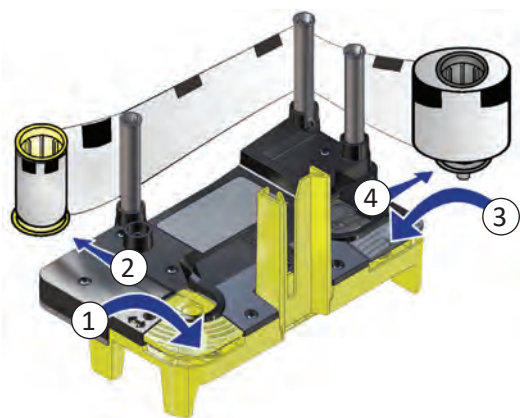
Artista RS4 金融卡即时签发系统

更换再转印膜

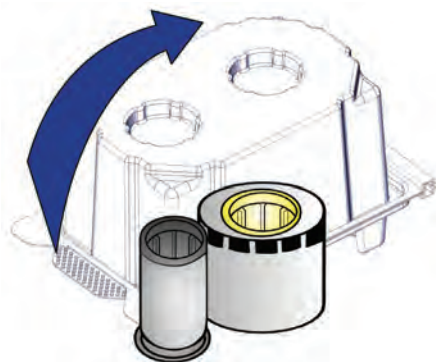
a



b

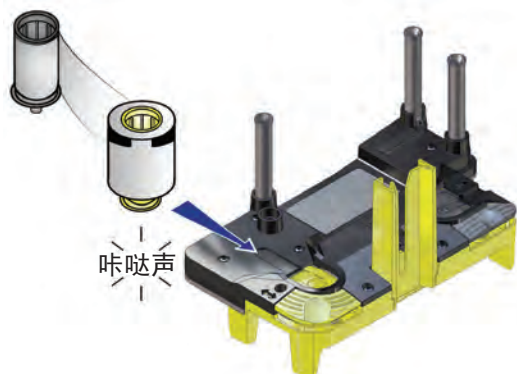


c

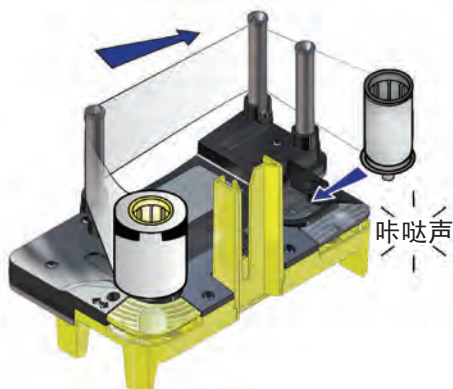


更换再转印膜 (续)

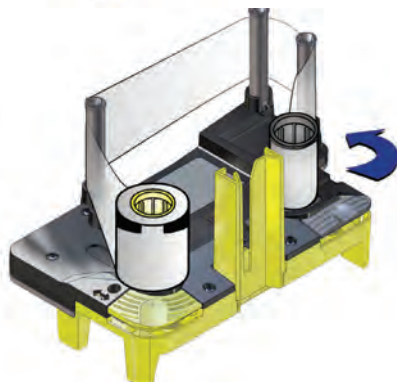
d



e



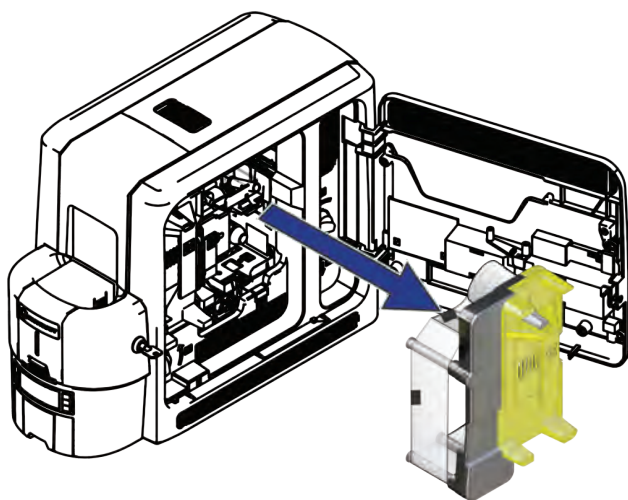
f



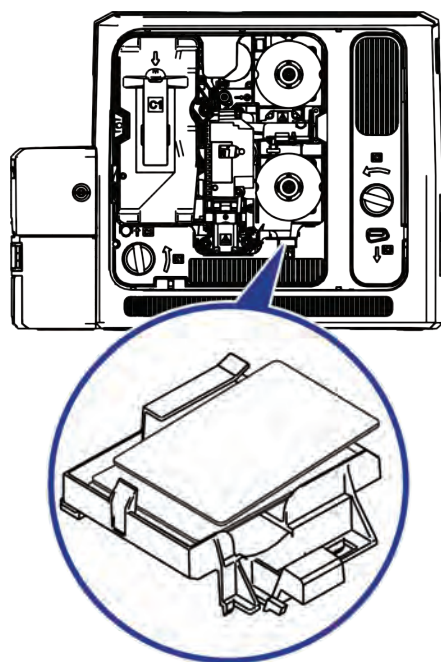
g 更换打印机中的再转印膜盒。

清空废卡盒

a

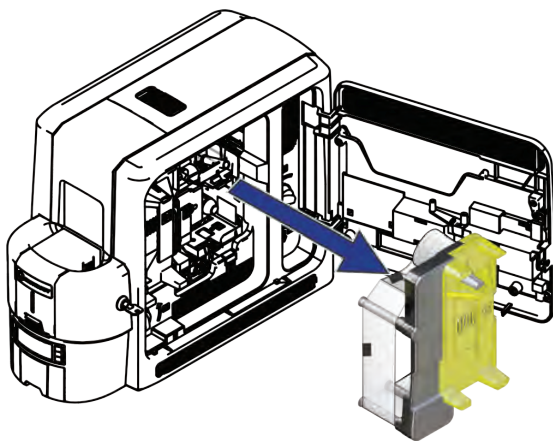


b

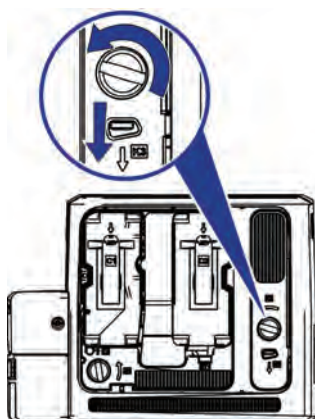


清除 K1 水平输送卡片堵塞 单卡盒打印机

- a** 解锁打印机并打开其检修门。
拆下再转印膜盒。



- b** 逆时针转动 K1 手动推进旋钮，将堵塞的卡片移至出卡盒。
从出卡盒中移除卡片。



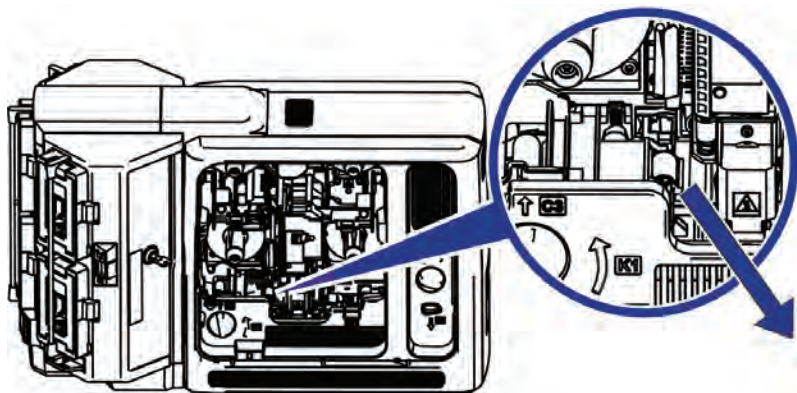
- c** 更换再转印膜盒，关上检修门并锁定打印机。

Artista RS4 金融卡即时签发系统

清除 K1 水平输送卡片堵塞 (续)

多卡盒打印机

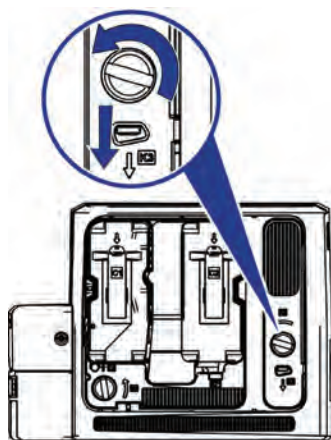
- a**
1. 解锁打印机并打开其检修门。
 2. 拆下色带盒和再转印膜盒。
 3. 找到打印机中堵塞的卡片。如有需要，可转动 K1 手动推进旋钮以取出卡片。
 4. 清除打印机中堵塞的卡片。



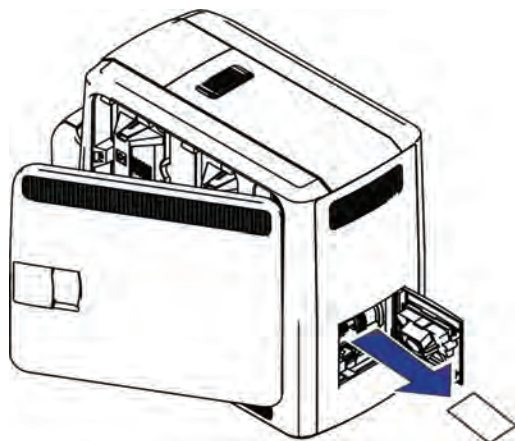
- b**
1. 更换色带盒，关上检修门并锁定打印机。

清除 K2 垂直输送卡片堵塞

- a**
1. 解锁打印机并打开其检修门。
 2. 按下 K3 后检修门释放按钮，打开后检修门。
 3. 逆时针转动 K2 手动推进旋钮，以在垂直输送区域移动堵塞的卡片，直至能够从后检修门将其取出。



- b** 通过后检修门移除卡片。

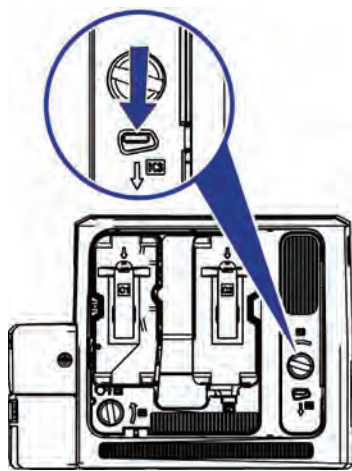


- c** 关闭打印机门并锁定打印机。

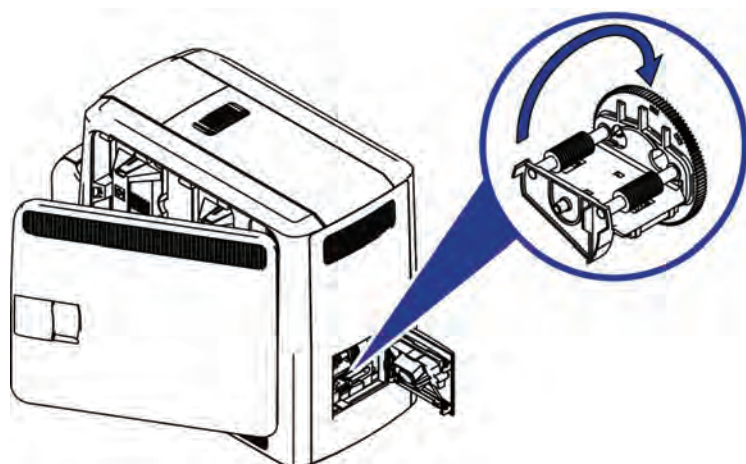
Artista RS4 金融卡即时签发系统

清除翻转模块中的卡片堵塞

- a** 解锁打印机并打开其检修门。
按下 K3 后检修门释放按钮，打开后检修门。



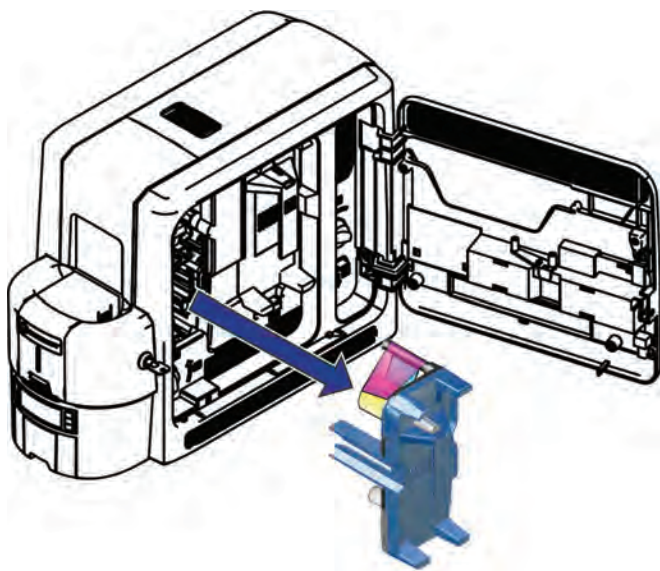
- b** 旋转翻转模块以取出卡片。
通过后检修门移除卡片。



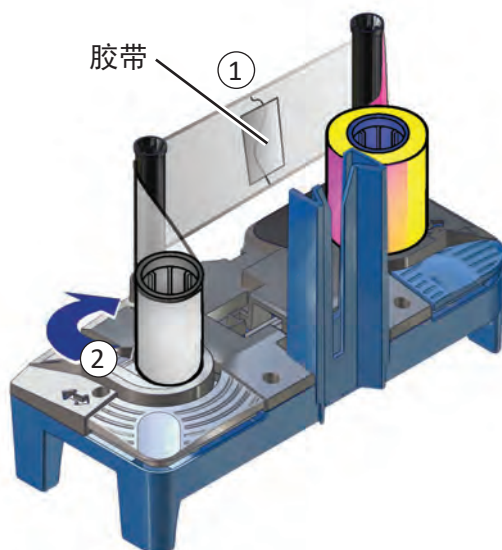
- c** 关闭打印机门并锁定打印机。

修复破损色带

a

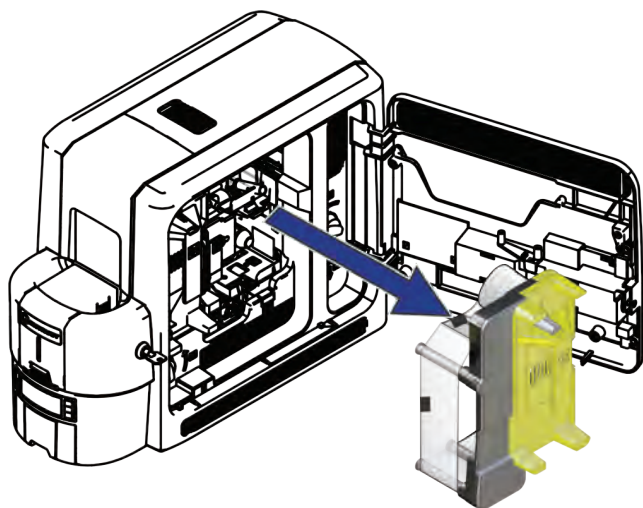


b

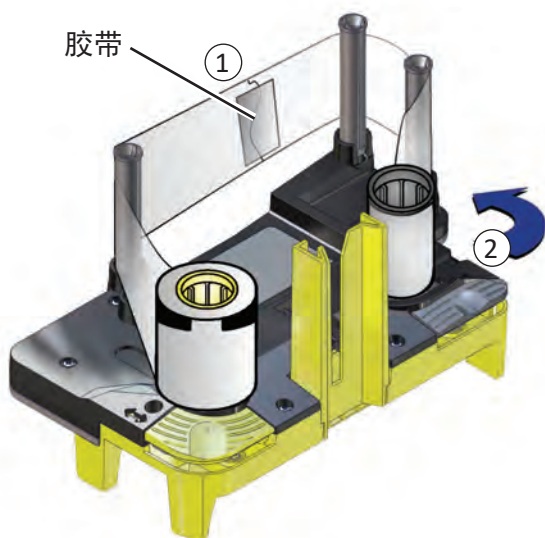


修复破损的再转印膜

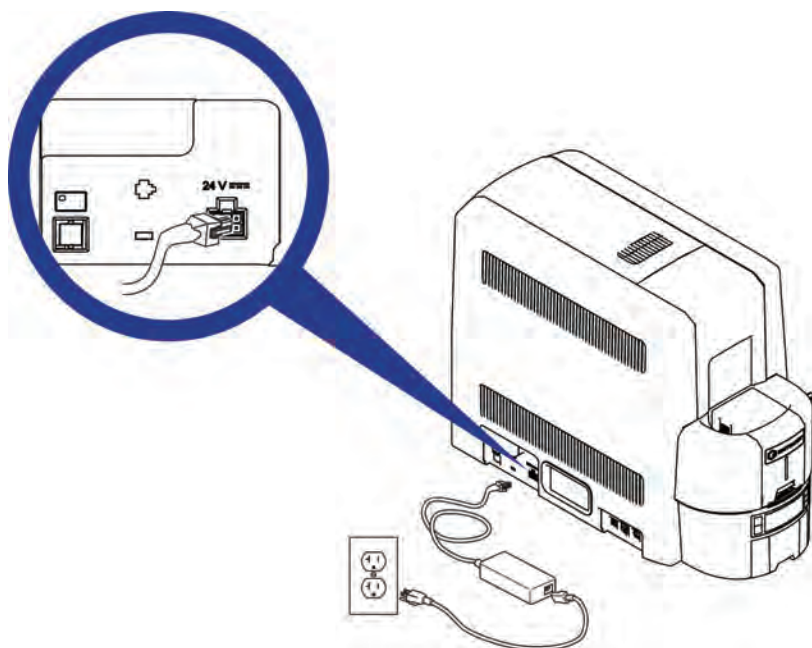
a



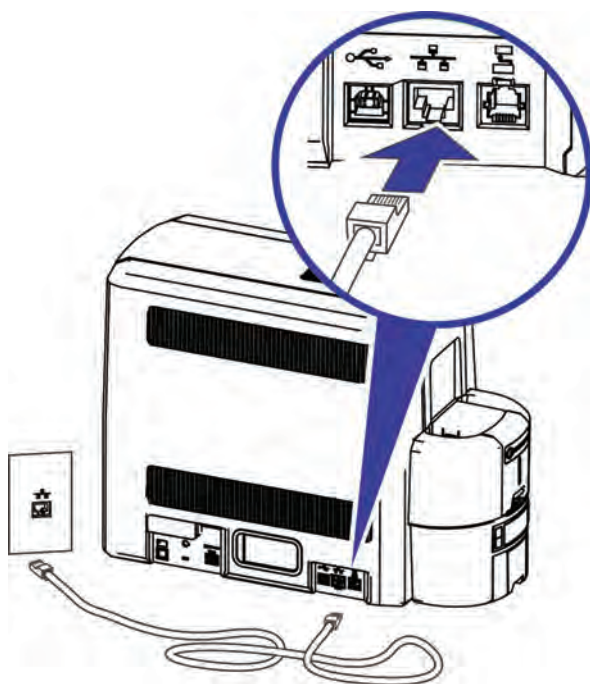
b



检查电源连接



检查数据连接



常见液晶面板信息

错误信息	请参阅:
112: 卡片卡盒已空	“单卡盒打印机中的卡片装载” 见页 5 “使用特例插槽” 见页 6 “多卡盒打印机中的卡片装载” 见页 7 “使用多卡盒特例滑块” 见页 9
166: C2 耗材不足或缺失	“更换再转印膜” 见页 14
167: 未识别 C2 耗材	
168: 不支持 C2 耗材	
172: 不正确的关机	“检查电源连接” 见页 23 “检查数据连接” 见页 24
175: C2 耗材错误	“修复破损的再转印膜” 见页 22
234: K1 输送装置卡片堵塞	“清除 K1 水平输送卡片堵塞” 见页 17
235: K2 输送装置卡片堵塞	“清除 K2 垂直输送卡片堵塞” 见页 19
236: 翻转器模块旋转错误	“清除翻转模块中的卡片堵塞” 见页 20
237: C1 耗材不足或缺失	“更换彩色色带” 见页 10 “更换清洁套管” 见页 12
238: 未识别 C1 耗材	
239: 不支持 C1 耗材	
240: C1 耗材错误	“修复破损色带” 见页 21
242: RT1 废卡盒已满	“清空废卡盒” 见页 16
277: 多卡盒拾取错误	“多卡盒打印机中的卡片装载” 见页 7

常见的打印质量问题

问题	原因	解决方案
卡片上出现非重复色点	色带或再转印膜上有灰尘	<ul style="list-style-type: none">改善耗材，或“更换彩色色带” 见页 10“更换再转印膜” 见页 14
卡片上出现褶皱	耗材存在褶皱	<ul style="list-style-type: none">改善耗材，或“更换彩色色带” 见页 10“更换再转印膜” 见页 14
图像模糊或变色 卡片上存在小范围未打印区域	<ul style="list-style-type: none">卡片上存在指纹、杂物或划痕打印机内有杂物打印头不干净	<ul style="list-style-type: none">确保卡片洁净清机。请参阅“清洁计划” 见页 27“更换清洁套管” 见页 12“清洁打印头” 见页 36
多张卡片上出现重复色点	凸轮滚子有灰尘或杂物	“清洁打印头凸轮滚子” 见页 40
卡片上出现彩色或白色条痕	打印头上有灰尘或杂物	<ul style="list-style-type: none">重新打印一张卡片，检查问题是否仍然存在“清洁打印头” 见页 36

- 更多故障排除信息，请参阅 *CR825* 和 *CE875* 即时签发系统用户指南。
- 获取维护打印机的最佳实践建议，请参阅“清洁计划” 见页 27。

清洁计划

请按照建议的清洁计划来维护打印机，从而获得最佳打印质量。

计划	操作	程序
更换色带时	请用异丙醇清洁卡清洁打印机。	<ul style="list-style-type: none"> “单卡盒打印机” 见页 28 “多卡盒打印机” 见页 29
	请更换清洁套管 (C3)。	“更换清洁套管” 见页 12
	清洁打印头。	“清洁打印头” 见页 36
如果您发现卡片成品上有颗粒	请更换清洁套管 (C3)。	“更换清洁套管” 见页 12
	请用胶粘剂清洁卡清洁打印机。	<ul style="list-style-type: none"> “单卡盒打印机” 见页 32 “多卡盒打印机” 见页 33
如果您发现卡片成品上存在彩色或白色条痕	清洁打印头。	“清洁打印头” 见页 36
如果您发现卡片成品上存在重复色点	清洁打印头凸轮滚子。	“清洁打印头凸轮滚子” 见页 40



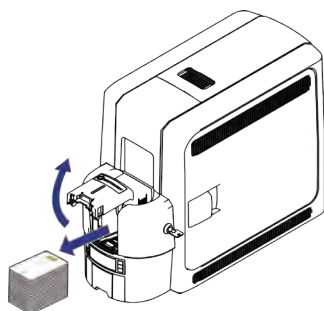
使用异丙醇或胶粘剂清洁卡清洁打印机时，请确保拆下色带盒 (C1)、再转印膜 (C2) 盒以及清洁套管。

异丙醇清洁卡的使用

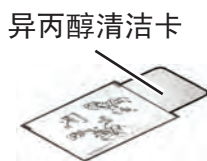
定期使用异丙醇清洁卡清洁打印机。请参阅“清洁计划”见页 27。

单卡盒打印机

- a** 解锁打印机，拆下耗材色带盒和清洁套管。
打开入卡盒并取出未打印的卡片。操作时请拿住卡片边缘或配戴卡片检查手套。



- b** 打开清洁卡包装，取出异丙醇清洁卡。

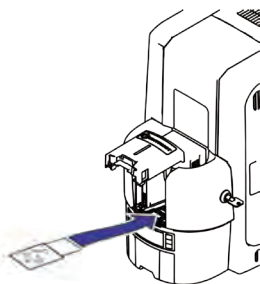


- c** 将清洁卡装入入卡盒中。

如果清洁卡存在一定的弧度，请按图示方法插入。

没有弧度的清洁卡

带弧度的清洁卡



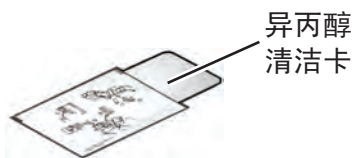
- d** 关上入卡盒并锁定打印机。
参照“运行异丙醇清洁卡程序”见页 30。

异丙醇清洁卡的使用 (续)

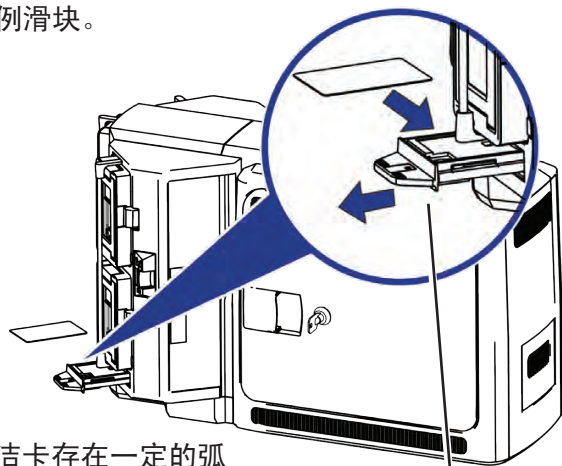
多卡盒打印机

a 解锁打印机，拆下耗材色带盒和清洁套管。

b 从包装中取出清洁卡。



- c**
1. 拉出多卡盒特例滑块并插入清洁卡。
 2. 推入特例滑块。



如果清洁卡存在一定的弧度，请按图示方法插入。

没有弧度的清洁卡



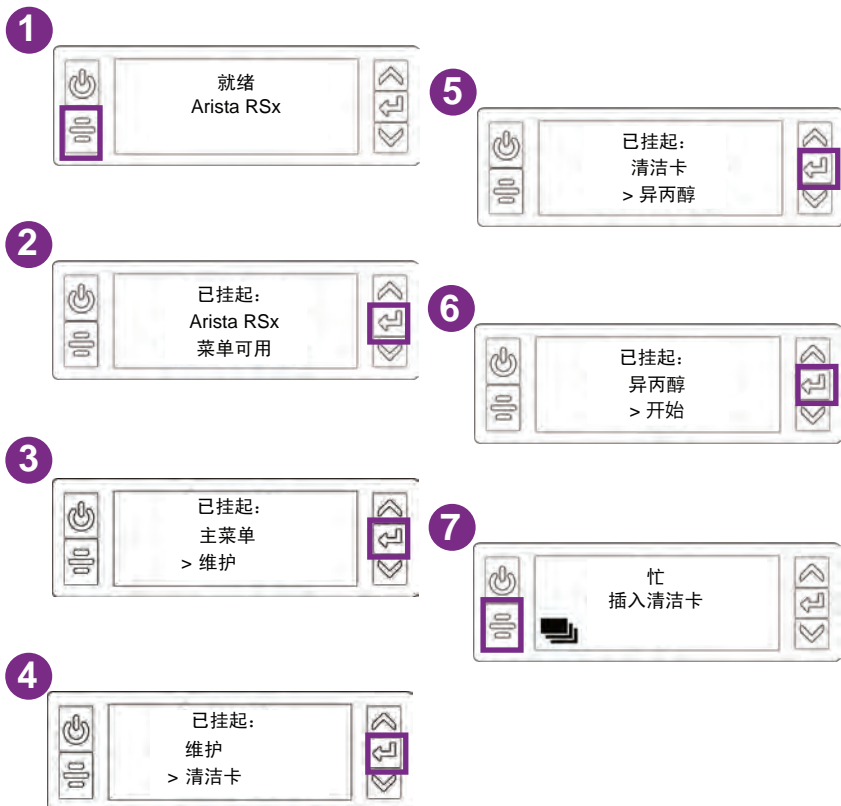
异常滑块

d 参照“运行异丙醇清洁卡程序” 见页 30。

异丙醇清洁卡的使用 (续)

运行异丙醇清洁卡程序

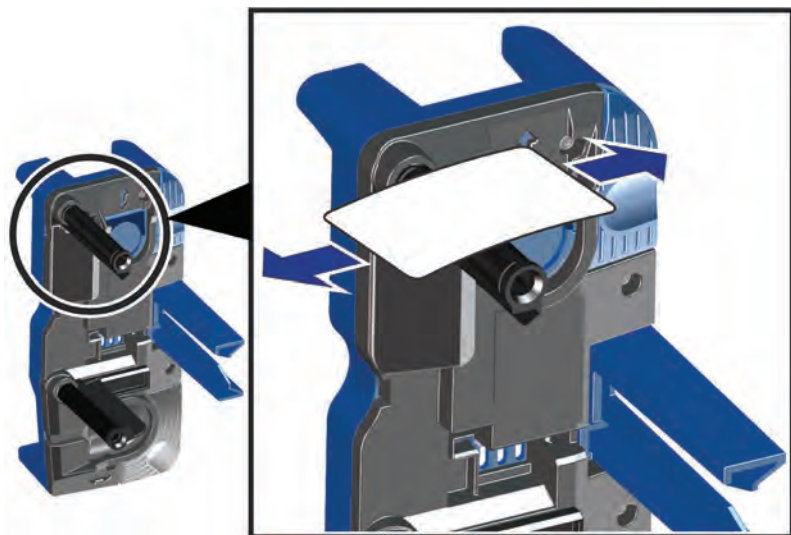
a 使用液晶面板运行异丙醇清洁卡。



清洁卡被弹出到打印机废卡盒 (RT1) 中。取回并保存清洁卡以清洁上方的色带导轨。

异丙醇清洁卡的使用（续）

- b** 使用清洁卡清洁打印机后，可以重复使用它来擦除色带盒上部色带导柱上的碎屑。



- c** 更换打印机的耗材盒和单卡盒打印机的入卡盒中的卡片。

胶粘剂清洁卡的使用

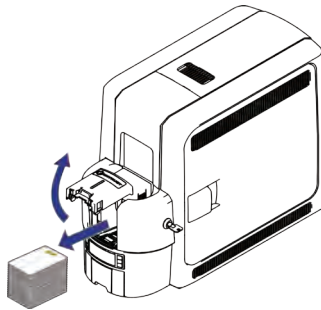
使用胶粘剂清洁卡去除再转印过程中产生的颗粒。有关胶粘剂清洁卡使用条件的信息，请参阅“[清洁计划](#)” 见页 27。

单卡盒打印机

a

解锁打印机，拆下耗材色带盒和清洁套管。

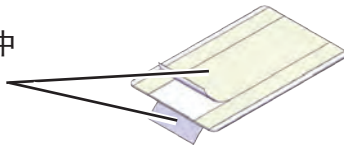
打开入卡盒并取出未打印的卡片。操作时请拿住卡片边缘或配戴卡片检查手套。



b

撕下胶粘剂清洁卡双面的中心贴条。双面两边的贴条均需保留不动。

仅撕下中心贴条



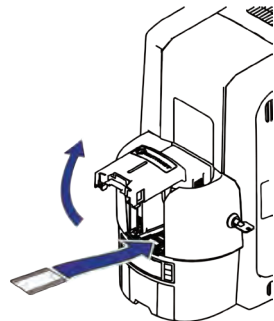
c

将胶粘剂清洁卡装入入卡盒中。

如果清洁卡存在一定的弧度，请按图示方法插入。

没有弧度的清洁卡

带弧度的清洁卡



d

关上入卡盒并锁定打印机。

参照“[运行胶粘剂清洁卡](#)” 见页 35。

胶粘剂清洁卡的使用 (续)

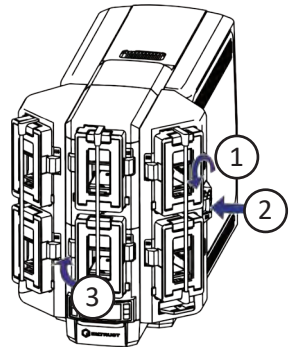
多卡盒打印机

a

解锁打印机，拆下耗材色带盒和清洁套管。

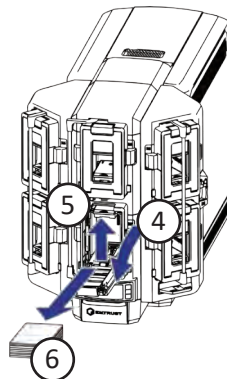
b

1. 打开多卡盒门的锁。
2. 向左滑动锁杆释放按钮 (B1) 以释放入卡盒锁杆。
3. 向左旋转中央锁杆，找到 H2 和 H5 多卡盒输入色带盒。



c

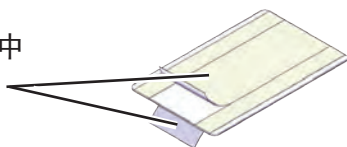
4. 按下 H2 色带盒顶部的色带盒释放按钮，然后打开色带盒门。
5. 提起卡片压重至色带盒顶部，轻轻向前拉动以将其锁定到位。
6. 从 H2 色带盒中取出未打印的卡。操作时请拿住卡片边缘或配戴卡片检查手套。



胶粘剂清洁卡的使用（续）

d 撕下胶粘剂清洁卡双面的中心贴条。双面两边的贴条均需保留不动。

仅撕下中心贴条

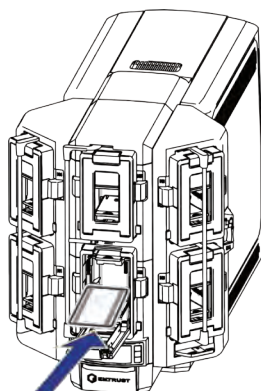


e 将胶粘剂清洁卡装入 H2 色带盒中，然后关上色带盒门。

如果清洁卡存在一定的弧度，请按图示方法插入。

没有弧度的清洁卡

带弧度的清洁卡



请勿将胶粘剂清洁卡插入多卡盒的异常滑块中。

f 锁定多卡盒。

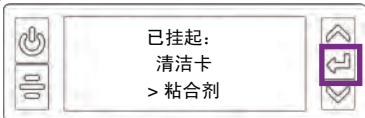
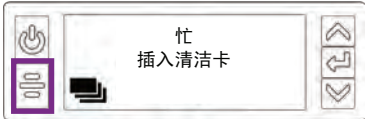
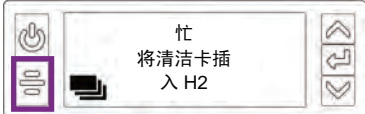
1. 向右旋转中央锁杆至锁定位置。
2. 向右滑动锁杆释放按钮，将锁杆锁定到位。
3. 锁上多卡盒门。

g 参照“运行胶粘剂清洁卡” 见页 35。

胶粘剂清洁卡的使用 (续)

运行胶粘剂清洁卡

a 使用液晶面板运行胶粘剂清洁卡。

- 1 
 - 2 
 - 3 
 - 4 
 - 5 
 - 6 
 - 7 
 - 8 
- 或
- 8 
- 清洁单卡盒打印机时，会显示以下信息。
- 清洁多卡盒打印机时，会显示以下信息。

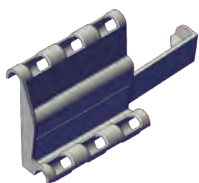
b 从打印机废卡盒中取出胶粘剂清洁卡。

c 更换耗材盒，安装新的清洁套管，并更换单卡盒打印机入卡盒或多卡盒打印机 H2 色带盒中的卡片。

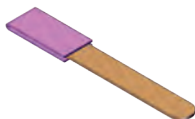
Artista RS4 金融卡即时签发系统

清洁打印头

每次更换色带或发现任何打印质量问题时，都需要清洁打印头。
清洁时请使用以下物品。



清洁棒支撑台



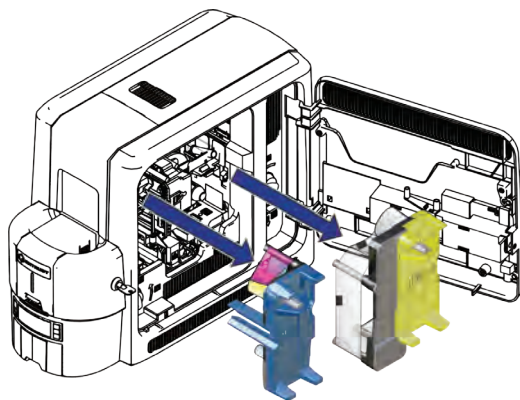
清洁棒



清洁棉签

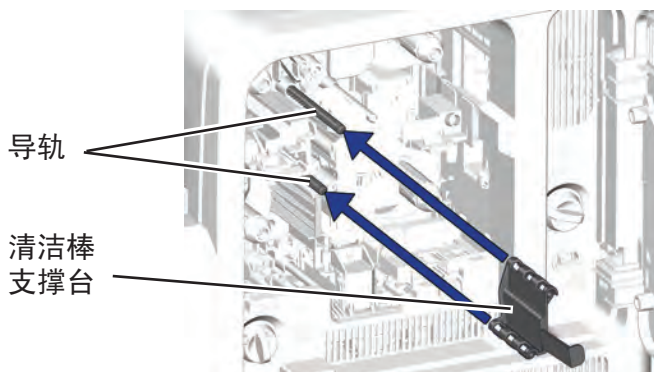
a

1. 关闭电源，并解锁打印机。
2. 打开打印机检修门，拆下色带盒 (C1) 和再转印膜盒 (C2)。



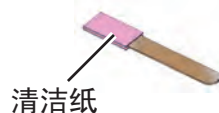
清洁打印头 (续)

b 将清洁棒支撑台插入打印机。该支撑工具能够套在色带盒导轨上滑入打印机。

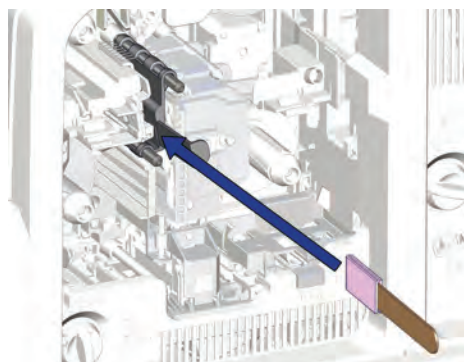


c 用清洁棒清洁打印头。

i 请勿撕掉清洁棒上粉色的清洁纸。

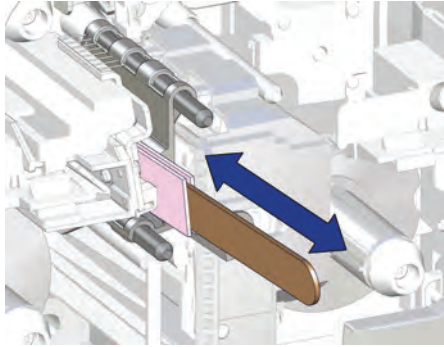


1. 从支撑工具的下部位置插入清洁棒。向内滑动到底。



清洁打印头 (续)

2. 来回拉动清洁棒 3 次，完成打印头清洁操作。



3. 从支撑工具中取出清洁棒。

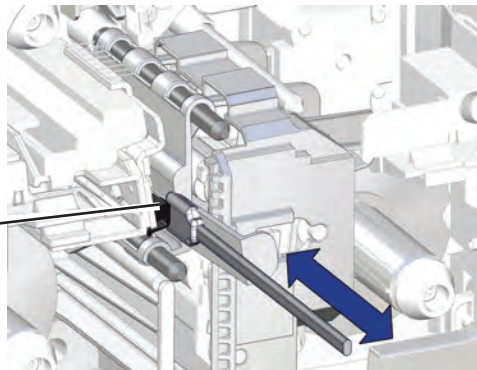


清洁棒双面均可用，您可以在一次清洁中使用其中一面。初次使用后请妥善保管清洁棒。

d 用清洁棉签清洁打印头。

1. 打开清洁棉签包装。
2. 将清洁棉签插入支撑工具中。如图所示，从工具中部位置插入棉签（或朝向支撑工具手柄的顶部插入）。

从此处将清洁棉签放入工具中部位置



清洁打印头 (续)

3. 来回移动清洁棉签 3 次，以清除打印头区域剩余的杂物。
4. 从支撑工具中取出清洁棉签。

e

从打印机上移除支撑工具。



请勿丢弃清洁棒支撑工具。它可在后期清洁操作中重复使用。

f

1. 更换色带盒和再转印膜盒，关上并锁定打印机检修门。
2. 接通打印机电源。
3. 打印一张或多张测试卡以验证打印质量。

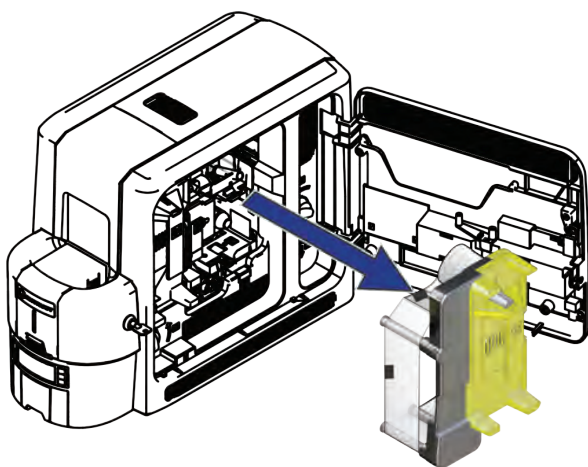


- 仅可使用清洁棒和清洁棉签清洁打印头。其他材料可能会粘着在打印头上并造成损坏。
- 清洁棒双面均使用（使用两次）后请丢弃。
- 清洁棉签仅供一次性使用。清洁打印头后请丢弃棉签。

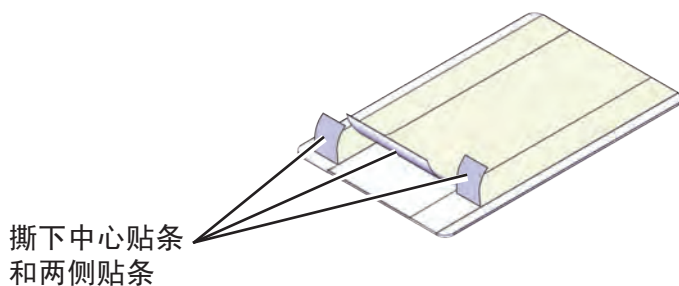
清洁打印头凸轮滚子

使用胶粘剂清洁卡清洁打印头凸轮滚子。

- a**
1. 关闭打印机电源。
 2. 解锁打印机并打开其检修门。
 3. 拆下打印机中的再转印膜盒 (C2)。

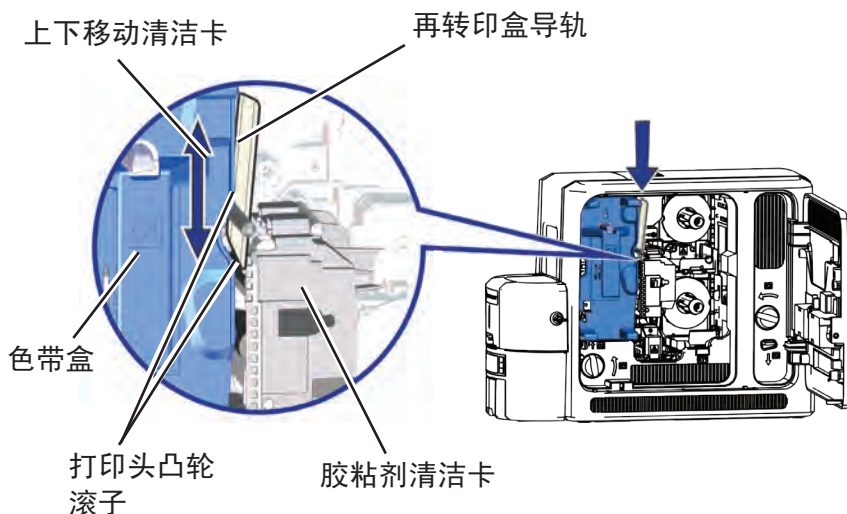


- b**
- 撕下胶粘剂清洁卡一面的中心贴条和两侧贴条。



清洁打印头凸轮滚子 (续)

- c**
1. 将清洁卡插入打印机中再转印盒导轨和滚子之间。确保卡片带胶粘剂的一面朝向右侧并接触滚子。
 2. 沿滚子上下移动清洁卡以清除杂物。



- d**
1. 更换再转印膜盒。
 2. 关闭并锁定打印机。
 3. 重启打印机。

- e**
1. 丢弃使用过的清洁卡。

注释

注释

警告：本产品含有加利福尼亚州已知会导致癌症、先天缺陷或其他生殖危害的化学物质，包括铅。**操作后务必清洗双手。**



警告：本产品可能会将您暴露于加利福尼亚州已知会导致癌症的邻苯二甲酸二异辛酯 (DEHP) 等化学物质当中；或将您暴露于加利福尼亚州已知会导致先天缺陷或其它生殖危害的邻苯二甲酸二异辛酯 (DEHP) 和邻苯二甲酸丁酯 (BBP)等化学物质当中。有关更多信息，请访问 www.P65Warnings.ca.gov 和 <https://www.entrust.com/legal-compliance/environmental-product-certifications>。



ENTRUST

1187 Park Place

Minneapolis, Minnesota 55379

952.933.1223 • 952.933.7971 传真

www.entrust.com

Entrust、Sigma 和六边形设计是商标、注册商标和/或服务商标，Datacard 是 Entrust Corporation 在美国和其他国家/地区的注册商标和服务商标。所有其他商标均为其各自所有者的财产。

© 2024. 材料中包含的设计和信​​息均需保密