



**ENTRUST**

## **ES1 Embosser Upgrade Installation Instructions**



These instructions apply to the Entrust Sigma DS4 and Artista® RS4 Instant Financial Issuance Systems and the following upgrade kits:

<b>Upgrade Kit Number</b>	<b>RS4</b>	<b>DS4</b>
ES1 Embosser	Yes	Yes



Installation of the embosser on Sigma DS4 printers requires firmware version D4.2.5 or above before the installation procedure.

## Upgrade Kit Contents

The following parts are included in the upgrade kit:

Item	Qty.	Description
1	1	ES1 Embosser



### Additional Tools and Materials

Items not supplied with this kit:

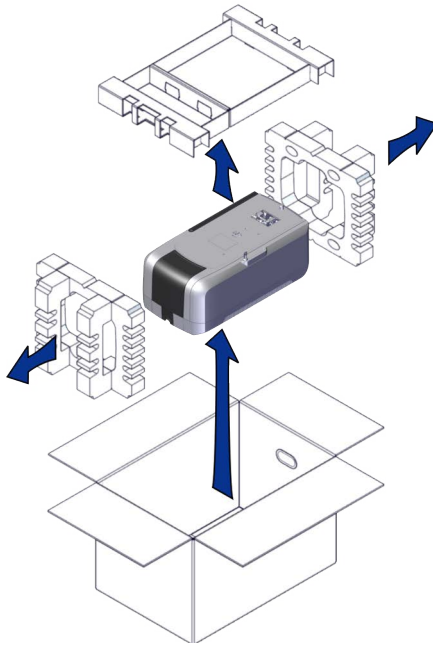
- The printer's *Installation and Administrator's Guide*

## Installation Procedure

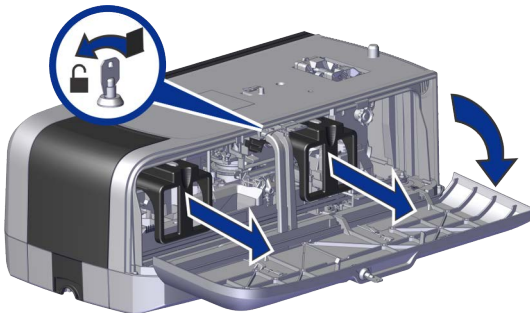
The installation of this upgrade kit adds a ES1 Embosser to the Sigma DS4 or Artista RS4 printer. The installation of this upgrade will update the printer to an DS4-ES1 or RS4-ES1 Instant Financial Issuance System.

### Install the Hardware

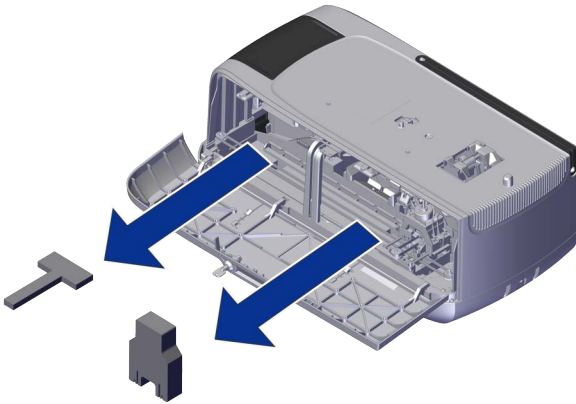
1. Unpack and secure the embosser.
  - a. Remove the embosser from the shipping cartons.



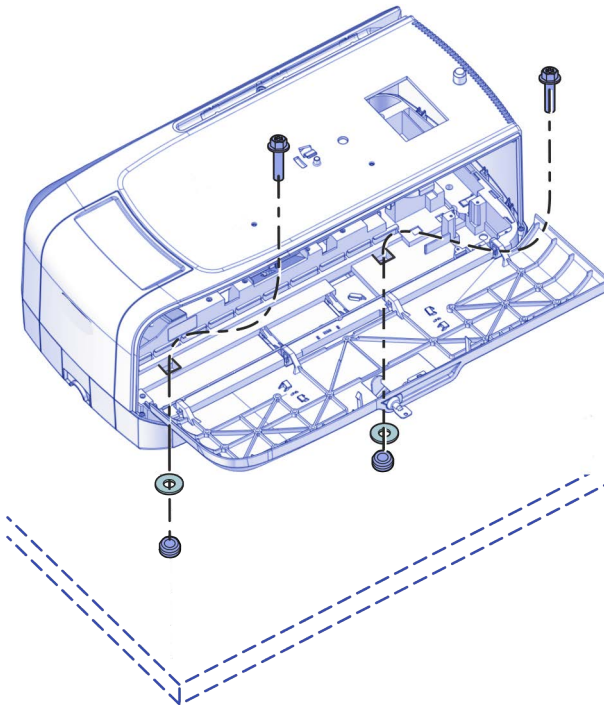
- b. Unlock the embosser and remove the indent ribbon and topping foil cartridges.



- c. Remove the foam “T” and block inserts used to secure the embosser topping and transport mechanisms during shipping.

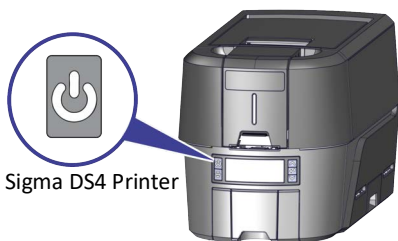


- d. Secure the embosser to the work surface (if required). Refer to the embosser's User Guide for detailed installation instructions and measurements.



2. Assemble the printer and embosser.

- a. Press the power button to power down the printer.

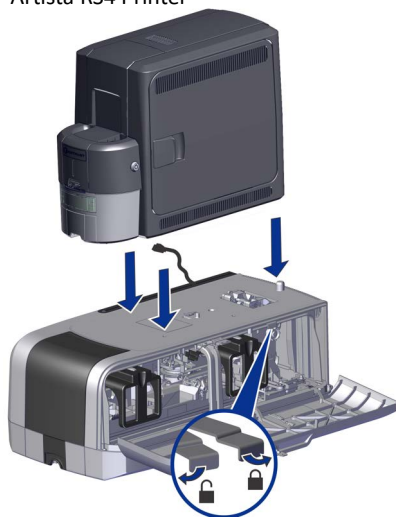


- b. Locate the interconnect cable in the cable routing area of the embosser, and make sure that it remains accessible.
- c. Slide the printer locking lever inside the embosser to the left to move the mounting lock to the unlocked position.

Sigma DS4 Printer

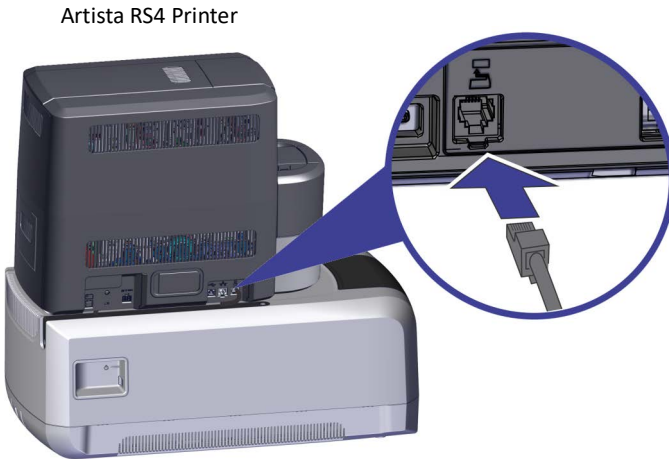
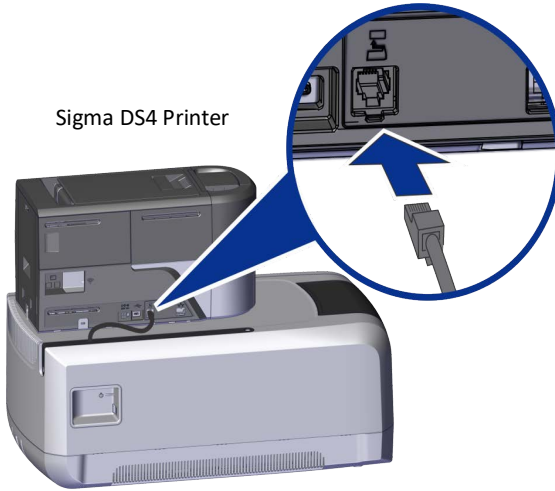


Artista RS4 Printer

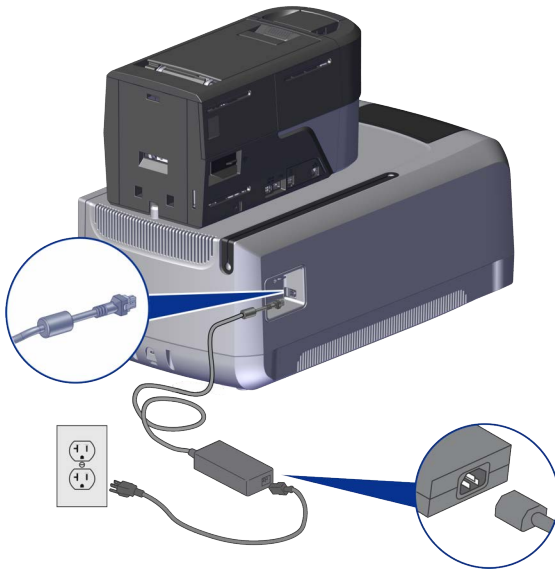


- d. Lift the printer over the embosser and align the pins on the embosser with the holes on the underside of the printer.
- e. Press down carefully, but firmly, on the printer to position it.
- f. Push the printer locking lever to the right to lock the printer to the embosser. Make sure that the printer is locked securely to the embosser.

- g. Connect the interconnect cable from the embosser to the lower data port on the printer.



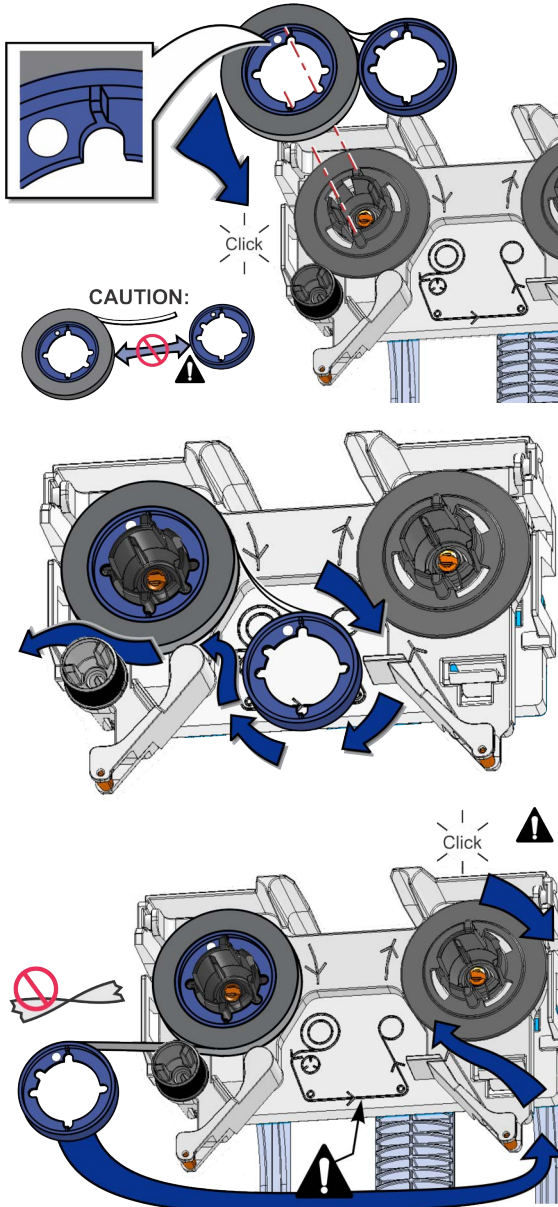
3. Connect the power cord.
  - a. Connect the printer power cord into the printer and into the power supply.
  - b. Plug the power supply cord into the power outlet.



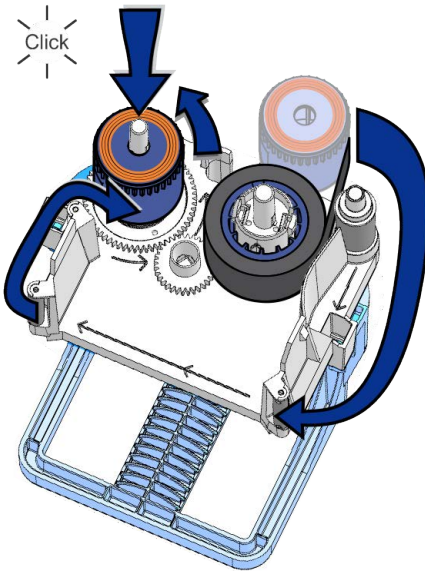
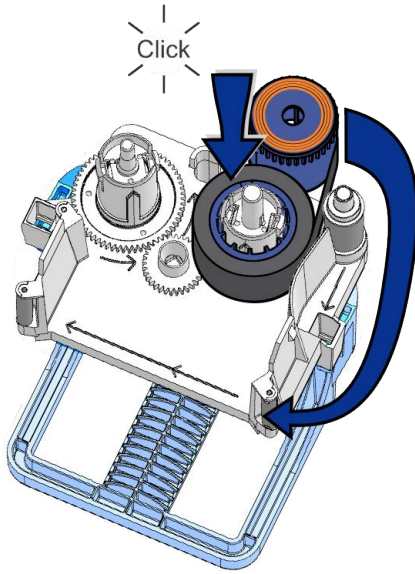
4. Load Supplies.

Supplies are ordered separately.

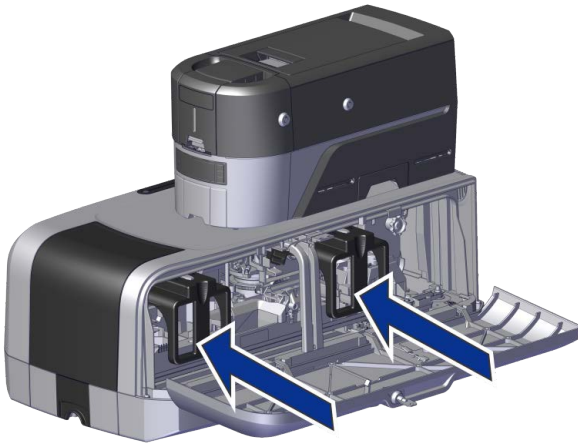
- a. Load the indent ribbon onto the cartridge.



- b. Load the topping foil onto the cartridge.



- c. Replace the cartridges in the embosser.



- d. Close and lock the embosser side access door.
- 5. Power on the system.
    - a. Press the power button on the front panel to power on the system.
    - b. Wait until the system has powered on and Ready displays on the front panel.
  - 6. Print a test card.

Use Printer Dashboard to print a test card with embossing features. Refer to the printer's Installation and Administrator's Guide for details on accessing Printer Dashboard (Sigma DS4) or Printer Manager (Artista RS4).

### Printer Dashboard

- a. Access Printer Dashboard using a administration level user account.
- b. Click **Maintenance > Test Card > Advanced**.
- c. Click **Emboss** to select the printing with embossing.
- d. Click **Print**.

### Printer Dashboard

- a. Access Printer Manager using a service level access.
- b. Click **TroubleShooting > Test Card**.
- c. Click **Emboss** to select the printing with embossing.
- d. Click **Run**.



# ENTRUST

1187 Park Place  
Minneapolis, MN 55379  
952-933-1223 • Fax: 952-933-7971  
[www.entrust.com](http://www.entrust.com)

## California Proposition 65 Compliance

**WARNING:** This product contains chemicals, including lead, known to the State of California to cause cancer, and birth defects or other reproductive harm. ***Wash hands after handling.***



**WARNING:** This product can expose you to chemicals including Di(2-ethylhexyl) phthalate (DEHP), which is known to the State of California to cause cancer, and Di(2-ethylhexyl)phthalate (DEHP) and Butyl benzyl phthalate (BBP), which are known to the State of California to cause birth defects or other reproductive harm. For more information go to [www.P65Warnings.ca.gov](http://www.P65Warnings.ca.gov) and <https://www.entrust.com/legal-compliance/environmental-product-certifications>.

Entrust, Artista, Sigma and the hexagon design are trademarks, registered trademarks and/or service marks of the Entrust Corporation in the United States and other countries.

All other product names are the property of their respective owners.

© 2020-2024 Entrust Corporation. All rights reserved.