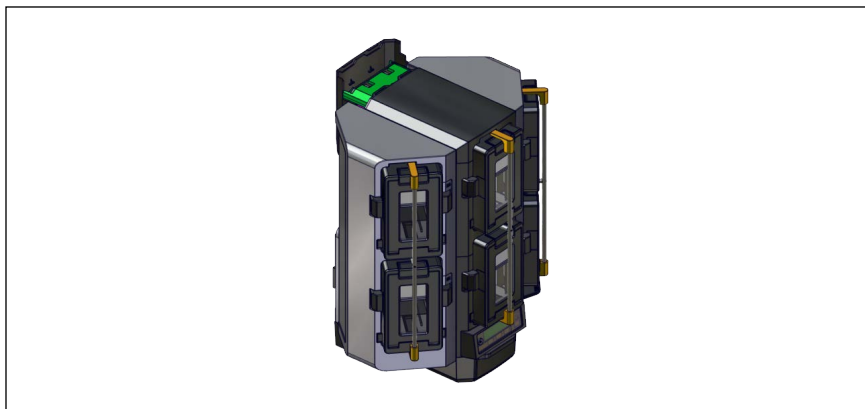




ENTRUST

## Artista® Multi-Hopper Installation Instructions



These instructions apply to the Entrust Artista® CR805 Retransfer Card Printer and the Entrust Artista® CR825, CE875 and RS4 Instant Financial Issuance Systems and the following installation kits:

Installation Kit	CR805	CR825	CE875	RS4
Multi-Hopper, Locking	Yes	Yes	Yes	Yes
Multi-Hopper, Non-Locking	Yes	No	No	No



Installation of the multi-hopper on Artista CR/CE series printers requires firmware version:

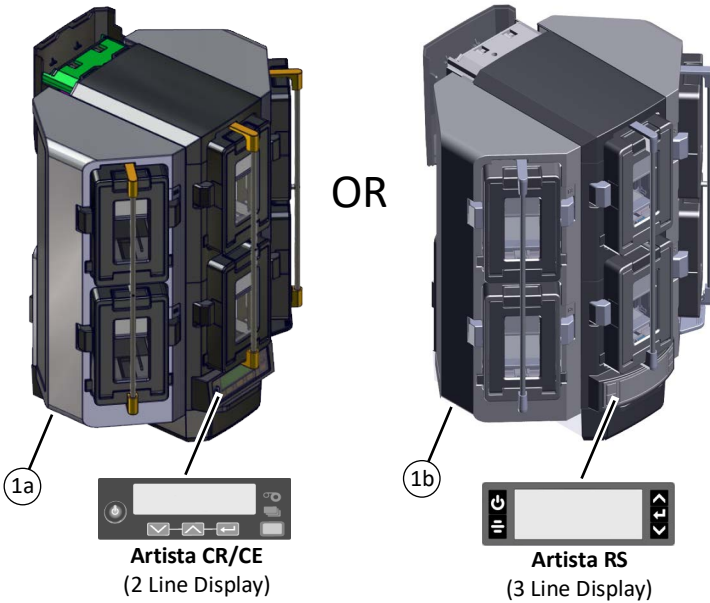
- R4.52.1 / R4.12.1 or newer on locking and non-locking multi-hoppers.

Refer to **Caution** on page 3 for additional information on firmware compatibility and updates.

## Installation Kit Contents

The following parts are included in the installation kit:

Item	Qty.	Description
1a	1	Multi-Hopper, Artista CR/CE, 2 Line LCD Display
1b	1	Multi-Hopper, Artista RS, 3 Line LCD Display



**Caution:** Do not install an incompatible multi-hopper on the printer. Equipment damage may result.

- CR/CE series printers are only compatible with 2 line LCD display multi-hoppers.
- RS series printers are only compatible with 3 line LCD display multi-hoppers.

### Additional Tools and Materials

Items not supplied with this kit:

- The printer's *Installation and Administrator's Guide*

## Installation Procedure

The installation of this kit adds a multi-hopper to Artista printer.



**Caution:** Installation of the multi-hopper on Artista CR/CE series printers requires firmware version:

- R4.52.1 / R4.12.1 or newer on locking and non-locking multi-hoppers.

Installing a multi-hopper on printers with incompatible firmware will result in excessive noise, stalls and retries while picking cards. Condition **275 Multi-hopper error** or **276 Multi-hopper card jam** may display on the printers LCD panel when the multi-hopper is used with incompatible firmware.

If needed, update the printer firmware to a version compatible with the multi-hopper. If excessive noise, stalls, and retries continue to occur after upgrading to the minimum compatible firmware version, contact Entrust service to restore proper multi-hopper operation.

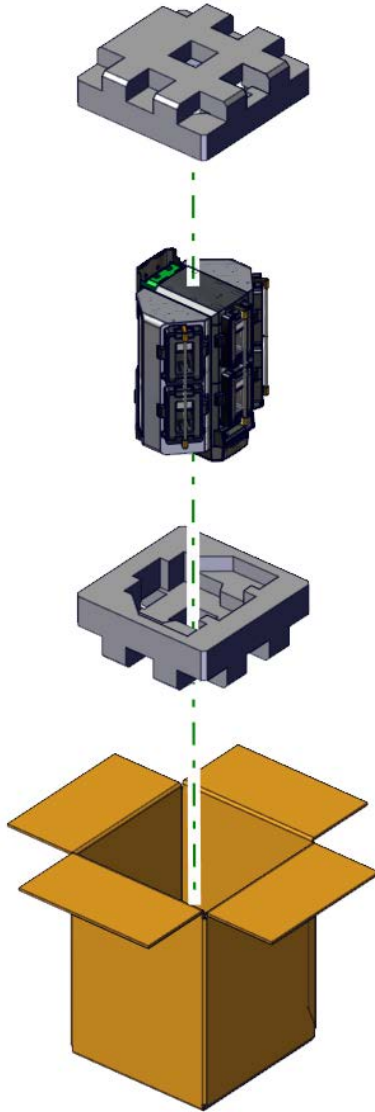
Americas: +1 800.328.3996 or +1 952.988.2316

Europe, Middle East, Africa: +44 1489555627

Asia Pacific: +852 2821 0126

## Install the Hardware

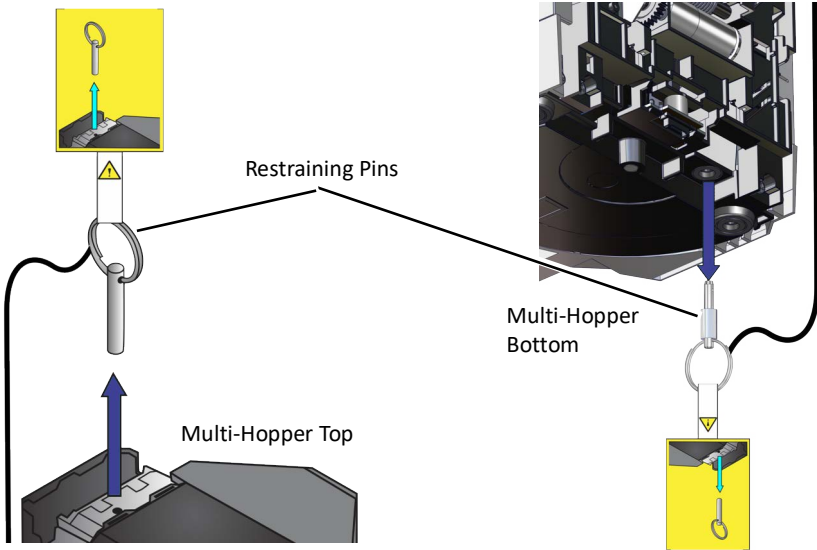
1. Unpack and secure the multi-hopper.
  - a. Remove the multi-hopper from the shipping cartons.



- b. Remove the restraining pins.



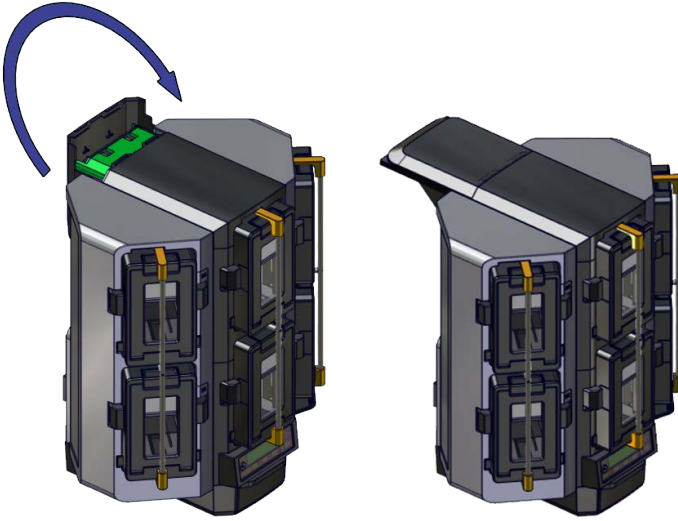
Save the restraining pins.



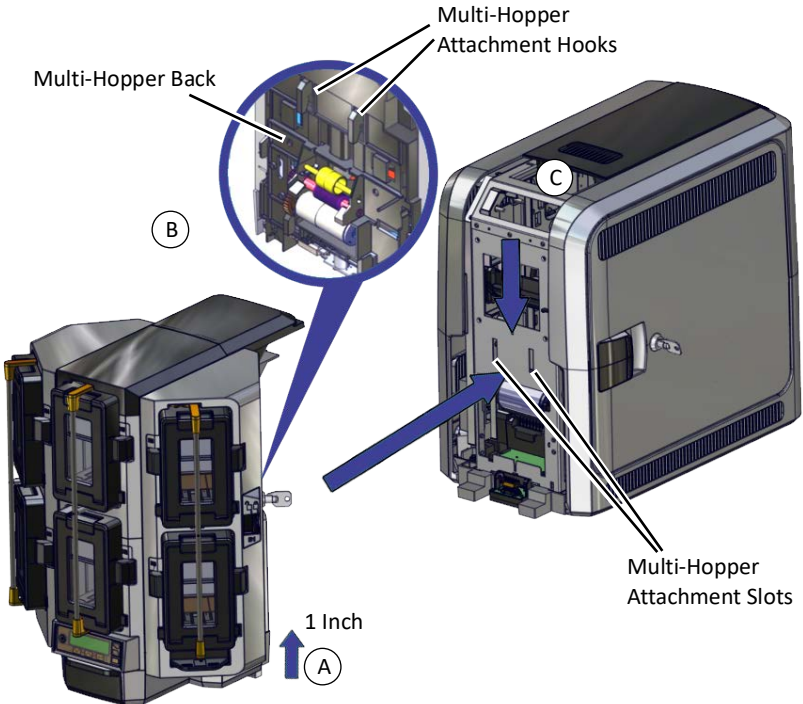
2. Ensure that the printer is hopperless and configured for multi-hopper installation.



3. Open the multi-hopper transition by lifting it up at the back of the multi-hopper.



- 4. Install the multi-hopper on the printer.
  - a. Lift the multi-hopper up one inch.
  - b. Align the attachment hooks in the back of the multi-hopper with the attachment slots in the front of the printer.
  - c. Push the multi-hopper into the printer and gently lower until the multi-hopper is seated into the printer.



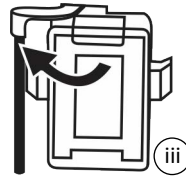
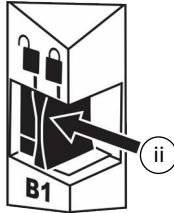
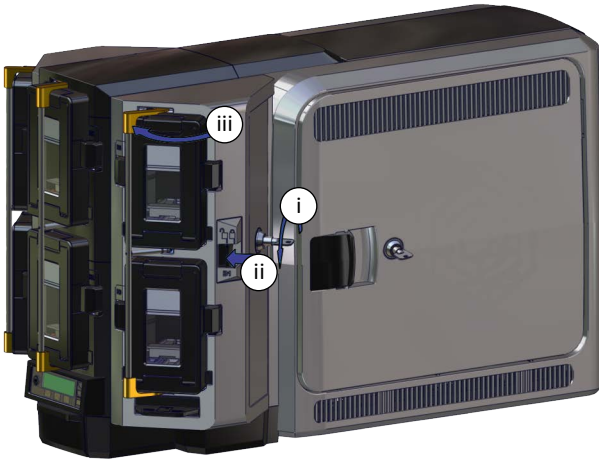
5. Load cards into the multi-hopper.

- a. Unlock the multi-hopper if the multi-hopper has locks.

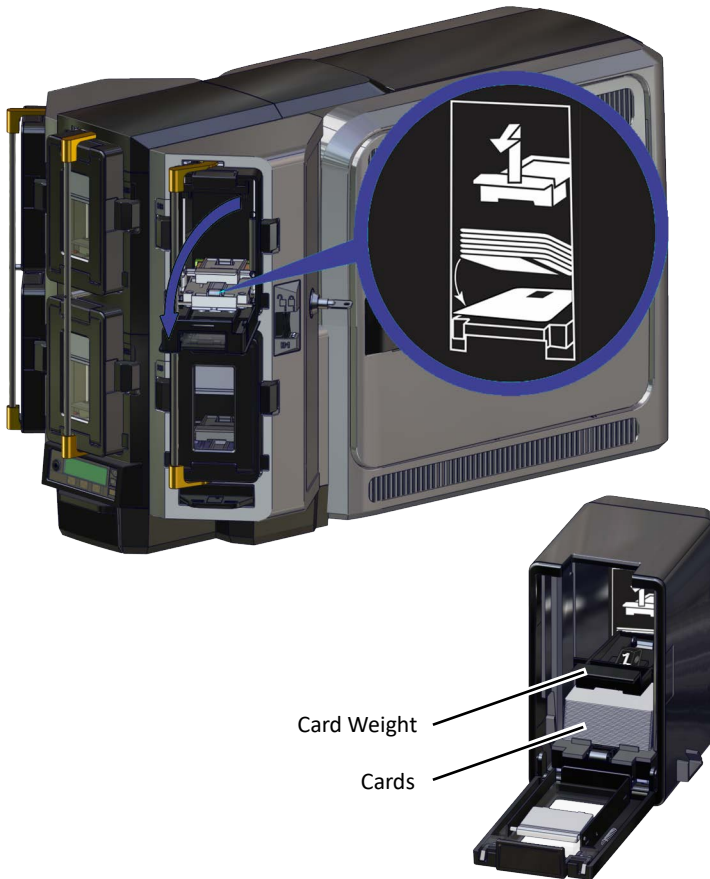


Non-locking multi-hoppers do not require unlocking.

- i. Unlock the multi-hopper lock.
- ii. Slide the lock bar release button (B1) to the left.
- iii. Rotate a lock bar to the left.



- b. Press the cartridge release button at the top of the cartridge and open the cartridge door.
- c. Lift the card weight to the top of the cartridge and pull it forward until it locks in position.
- d. Load the cards into the cartridge.
- e. Close the cartridge door to release the card weight so that it rests on top of the cards.



6. Connect the network or USB cable to the printer.
7. Connect the power cord to the printer.
8. Press the power button and power on the printer.

## Notes

## Notes



# ENTRUST

1187 Park Place  
Minneapolis, MN 55379  
952-933-1223 • Fax: 952-933-7971  
[www.entrust.com](http://www.entrust.com)

## California Proposition 65 Compliance

**WARNING:** This product contains chemicals, including lead, known to the State of California to cause cancer, and birth defects or other reproductive harm. ***Wash hands after handling.***



**WARNING:** This product can expose you to chemicals including Di(2-ethylhexyl) phthalate (DEHP), which is known to the State of California to cause cancer, and Di(2-ethylhexyl)phthalate (DEHP) and Butyl benzyl phthalate (BBP), which are known to the State of California to cause birth defects or other reproductive harm. For more information go to [www.P65Warnings.ca.gov](http://www.P65Warnings.ca.gov) and <https://www.entrust.com/legal-compliance/environmental-product-certifications>.

Entrust, Sigma and the hexagon design are trademarks, registered trademarks and/or service marks of the Entrust Corporation in the United States and other countries.

All other product names are the property of their respective owners.

© 2017-2024 Entrust Corporation. All rights reserved.